

**MAXIM**

# Four-Channel Thermistor Temperature-to-Pulse-Width Converter

## General Description

The MAX6691 four-channel thermistor temperature-to-pulse-width converter measures the temperatures of up to four thermistors and converts them to a series of output pulses whose widths are related to the thermistors' temperatures. Each of the four thermistors and an external fixed resistor ( $R_{EXT}$ ) form a voltage-divider that is driven by the MAX6691's internal voltage reference ( $V_{REF}$ ).  $V_{REF}$  and the voltage across  $R_{EXT}$  are measured and converted to a pulse.

The MAX6691 has a single open-drain I/O pin that can be readily connected to a variety of microcontrollers. The microcontroller initiates a conversion by pulling the I/O pin low and releasing it. When conversion is done, the MAX6691 signals the end of conversion by pulling the I/O pin low once again. The pulse corresponding to the first thermistor is sent immediately after the release of the I/O pin.

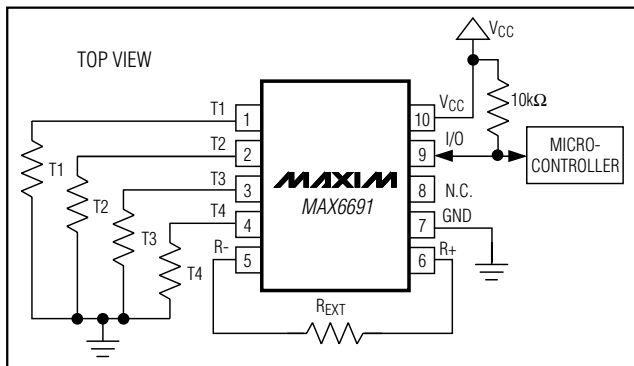
The on-chip power-management circuitry reduces the average thermistor current to minimize errors due to thermistor self-heating. Between conversions, the MAX6691 falls into a  $10\mu\text{A}$  (max) sleep mode, where the voltage reference is disabled and the supply current is at its minimum.

The MAX6691 is available in a 10-pin  $\mu\text{MAX}$  package and is specified from  $-55^\circ\text{C}$  to  $+125^\circ\text{C}$  temperature range.

## Applications

HVAC  
Home Appliances  
Medical Devices

## Typical Application Circuit



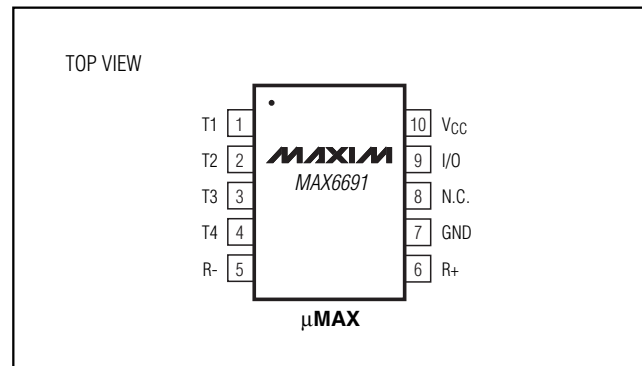
## Features

- ◆ Simple Single-Wire Interface
- ◆ Measures Up to Four Thermistor Temperatures
- ◆ Low-Average Thermistor Current Minimizes Self-Heating Errors
- ◆ Internal Voltage Reference Isolates Thermistor from Power-Supply Noise
- ◆ Accommodates Any Thermistor Temperature Range

## Ordering Information

PART	TEMP RANGE	PIN-PACKAGE
MAX6691MUB	$-55^\circ\text{C}$ to $+125^\circ\text{C}$	10 $\mu\text{MAX}$

## Pin Configuration

**MAXIM**

Maxim Integrated Products 1

For pricing, delivery, and ordering information, please contact Maxim/Dallas Direct! at 1-888-629-4642, or visit Maxim's website at [www.maxim-ic.com](http://www.maxim-ic.com).

# Four-Channel Thermistor Temperature-to-Pulse-Width Converter

MAX6691

## ABSOLUTE MAXIMUM RATINGS

V <sub>CC</sub> to GND .....	-0.3V to +6.0V	Operating Temperature Range .....	-55°C to +125°C
All Other Pins to GND .....	-0.3V to (V <sub>CC</sub> + 0.3V)	Junction Temperature .....	+150°C
I/O, R+, R-, T1-T4 Current .....	±20mA	Storage Temperature Range .....	-65°C to +150°C
ESD Protection (Human Body Model) .....	±2000V	Lead Temperature (soldering, 10s) .....	+300°C
Continuous Power Dissipation (T <sub>A</sub> = +70°C)			
10-Pin μMAX (derate 5.6mW/°C above +70°C) .....	444.4mW		

Stresses beyond those listed under "Absolute Maximum Ratings" may cause permanent damage to the device. These are stress ratings only, and functional operation of the device at these or any other conditions beyond those indicated in the operational sections of the specifications is not implied. Exposure to absolute maximum rating conditions for extended periods may affect device reliability.

## ELECTRICAL CHARACTERISTICS

(V<sub>CC</sub> = 3.0V to 5.5V, T<sub>A</sub> = -55°C to +125°C, unless otherwise noted. Typical values are specified at V<sub>CC</sub> = 3.3V and T<sub>A</sub> = +25°C.) (Note1)

PARAMETER	SYMBOL	CONDITIONS	MIN	TYP	MAX	UNITS
T <sub>HIGH</sub> /T <sub>LOW</sub> Accuracy	V <sub>REXT</sub>	T <sub>A</sub> = +25°C, V <sub>CC</sub> = 3.3V			0.5	% FS
		T <sub>A</sub> = T <sub>MIN</sub> to T <sub>MAX</sub>			1.0	
Supply Voltage Range	V <sub>CC</sub>		3.0		5.5	V
Supply Current	I <sub>CC</sub>	During conversion, no load		300	600	μA
Sleep-Mode Supply Current	I <sub>STANDBY</sub>			3.5	10	μA
Input Leakage Current	I <sub>LEAKAGE</sub>				1.0	μA
Reference Voltage Output	V <sub>REF</sub>	I <sub>REF</sub> = 1mA, T <sub>A</sub> = +25°C	1.19	1.24	1.32	V
Reference Load Regulation		0 < I <sub>REF</sub> < 2mA		0.1	0.2	%
Reference Supply Rejection				0.2		%
Logic Input Low Voltage	V <sub>IL</sub>				0.3 × V <sub>CC</sub>	V
Logic Input High Voltage	V <sub>IH</sub>		0.7 × V <sub>CC</sub>			V

## TIMING CHARACTERISTICS

(V<sub>CC</sub> = 3.0V to 5.5V, T<sub>A</sub> = -55°C to +125°C, unless otherwise noted. Typical values are specified at V<sub>CC</sub> = 3.3V and T<sub>A</sub> = +25°C.) (Figure 1) (Note1)

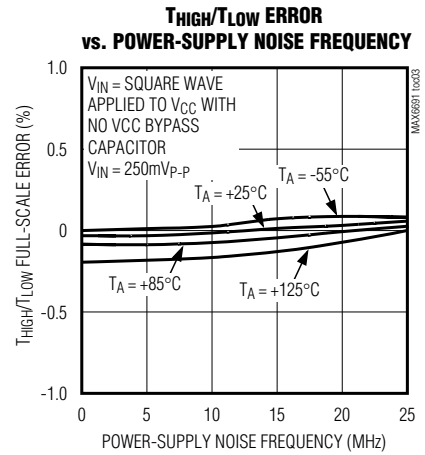
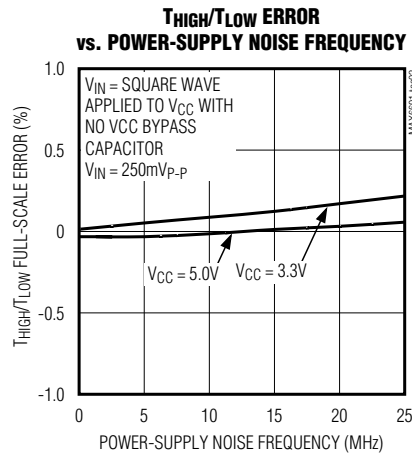
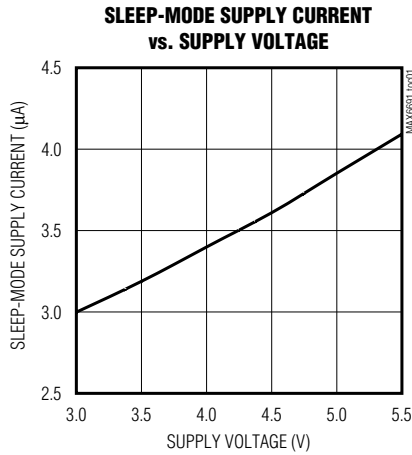
PARAMETER	SYMBOL	CONDITIONS	MIN	TYP	MAX	UNITS
Glitch Immunity on I/O Input				500		ns
Conversion Time	t <sub>CONV</sub>		86	102	156	ms
Nominal Pulse Width	t <sub>LOW</sub>		4.0	4.9	7.5	ms
Start Pulse Width	t <sub>START</sub>		5			μs
Data Ready Pulse Width	t <sub>READY</sub>		103	122	188	μs
Error Pulse Width	t <sub>ERROR</sub>		103	122	188	μs
Rise Time	t <sub>RISE</sub>	C <sub>L</sub> = 15pF, R <sub>L</sub> = 10kΩ		600		ns
Fall Time	t <sub>FALL</sub>	C <sub>L</sub> = 15pF, R <sub>L</sub> = 10kΩ		600		ns

**Note 1:** Specification limits over temperature are guaranteed by design, not production tested.

# Four-Channel Thermistor Temperature-to-Pulse-Width Converter

## Typical Operating Characteristics

( $V_{CC} = 5V$ ,  $R_{EXT} = 7.5k\Omega$ ,  $R_{TH} = 12.5k\Omega$ ,  $T_A = +25^\circ C$ , unless otherwise noted.)



MAX6691

## Pin Description

PIN	NAME	FUNCTION
1	T1	Thermistor 1. Connect to external thermistor 1.
2	T2	Thermistor 2. Connect to external thermistor 2.
3	T3	Thermistor 3. Connect to external thermistor 3.
4	T4	Thermistor 4. Connect to external thermistor 4.
5	R-	External Resistor Low Side. Connect $R_{EXT}$ between R- and R+.
6	R+	Reference Voltage Output. Connect $R_{EXT}$ between R- and R+.
7	GND	Ground. Ground connection for MAX6691 and ground return for external thermistor(s).
8	N.C.	No Connection. Do not make a connection to this pin.
9	I/O	I/O Connection to Microcontroller. Connect a $10k\Omega$ pullup resistor from I/O pin to $V_{CC}$ .
10	$V_{CC}$	Supply Voltage. Bypass $V_{CC}$ to GND with a capacitor of at least $0.1\mu F$ .

# Four-Channel Thermistor Temperature-to-Pulse-Width Converter

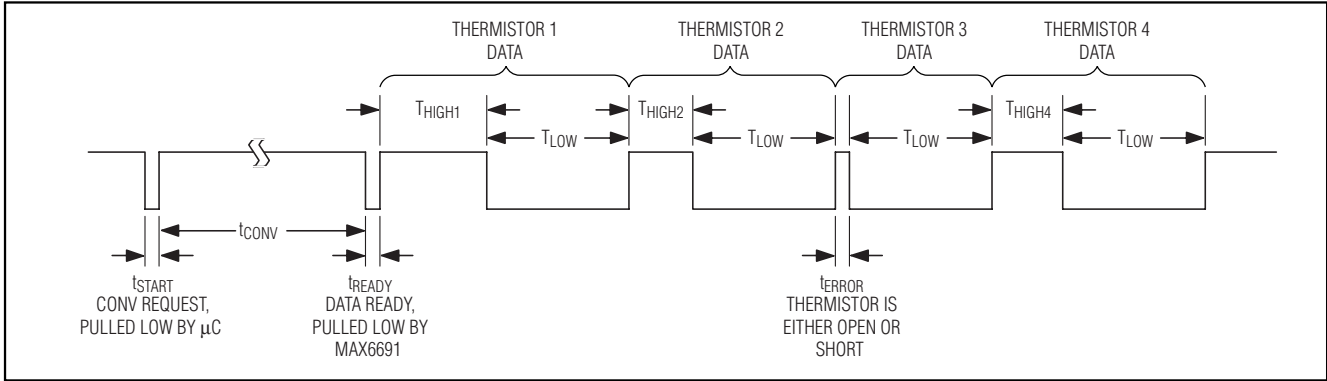


Figure 1. Timing Diagram

## Detailed Description

The MAX6691 is an interface circuit that energizes up to four thermistors and converts their temperatures to a series of output pulses. The MAX6691 powers the thermistors only when a measurement is being made. This minimizes the power dissipation in the thermistors, virtually eliminating self-heating, a major component of thermistor error. The simple I/O allows the initiation of conversion and delivery of output pulses or a single pin.

### Temperature Measurement

When it is not performing conversions or transmitting output pulses, the MAX6691 is in a low-power sleep mode and the I/O pin is held at  $V_{CC}$  by the external pullup resistor (typically 10k $\Omega$ ). To initiate measurement of up to four thermistor temperatures, the external microcontroller pulls the I/O pin low for at least 5 $\mu$ s (Figure 1). When the microcontroller releases the I/O pin, the MAX6691 applies the reference voltage ( $V_{REF}$ ) to the external resistor ( $R_{EXT}$ ), which is connected sequentially to each of the four external thermistors (T1 through T4).

When the measurements are complete (after a period equal to  $T_{CONV}$ ), the MAX6691 pulls the I/O pin low for 125 $\mu$ s. The I/O pin remains high for a period proportional to the first  $V_{EXT}$  measurement (corresponding to the first thermistor). The MAX6691 then pulls the I/O pin low for a period proportional to  $V_{REF}$ . Three more high/low pulse pairs follow, corresponding to T2 through T4, after which the I/O pin is released.

The relationship between pulse width,  $R_{EXT}$ , and thermistor resistance ( $R_{TH}$ ) can be described as:

$$\frac{T_{HIGH}}{T_{LOW}} = \frac{V_{EXT}}{V_{REF}} - 0.0002 = \frac{R_{EXT}}{R_{EXT} + R_{TH}} - 0.0002$$

The relationship between  $V_{EXT}$  and the temperature of a thermistor is determined by the values of  $R_{EXT}$  and the thermistor's characteristics. If the relationship between  $R_{TH}$  and the temperature is known, a microcontroller with no on-chip ADC can measure  $T_{HIGH}$  and  $T_{LOW}$  and accurately determine the temperature at the corresponding thermistor.

For each operation, the MAX6691 generates four pulses on the I/O pin. In the case of an open or short connection on the thermistor, the corresponding pulse ( $T_{HIGH}$ ) is a short pulse of less than 5% of  $T_{LOW}$ .

## Applications Information

### Thermistors and Thermistor Selection

Either NTC or PTC thermistors can be used with the MAX6691, but NTC thermistors are more commonly used. NTC thermistors are resistive temperature sensors whose resistance decreases with increasing temperature. They are available in a wide variety of packages that are useful in difficult applications such as measurement of air or liquid temperature. Some can operate over temperature ranges beyond that of most ICs. The relationship between temperature and resistance in an NTC thermistor is very nonlinear and can be described by the following approximation:

$$\frac{1}{T} = A + B(\ln R) + C(\ln R)^3$$

Where  $T$  is absolute temperature,  $R$  is the thermistor's resistance, and  $A$ ,  $B$ ,  $C$  are coefficients that vary with manufacturer and material characteristics. The general shape of the curve is shown in Figure 2.

# Four-Channel Thermistor Temperature-to-Pulse-Width Converter

MAX6691

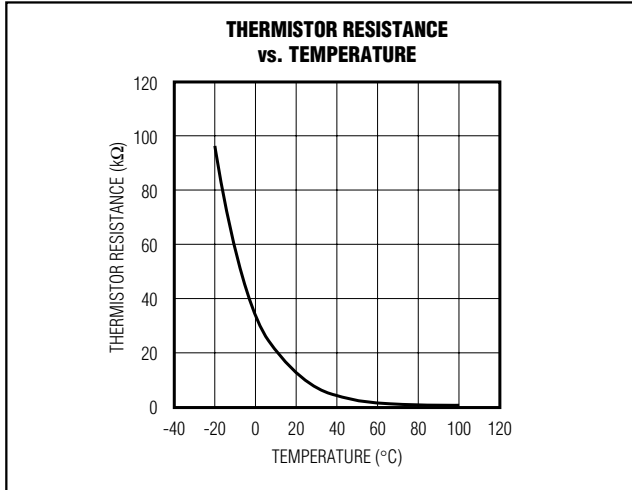


Figure 2. Thermistor Resistance vs. Temperature

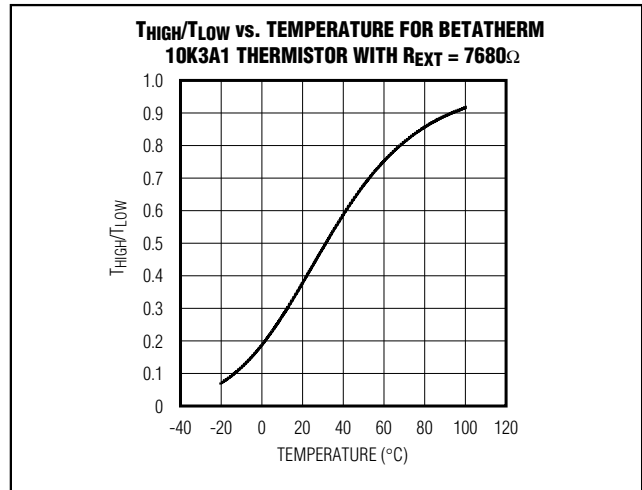


Figure 4.  $T_{HIGH}/T_{LOW}$  vs. Temperature,  $R_{EXT} = 7680\Omega$

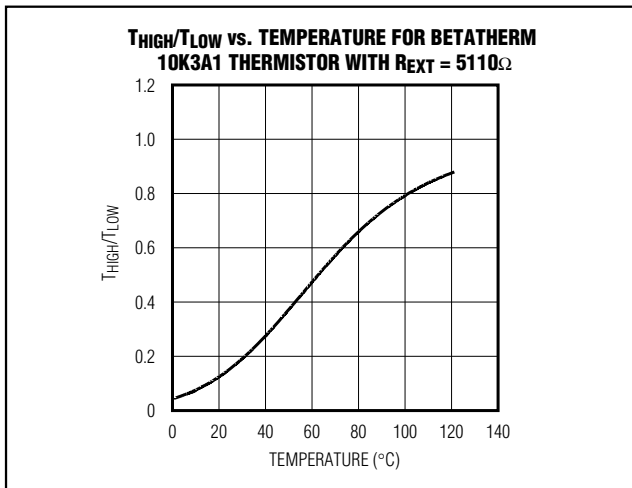


Figure 3.  $T_{HIGH}/T_{LOW}$  vs. Temperature,  $R_{EXT} = 5110\Omega$

The relationship between temperature and resistance of an NTC thermistor is highly nonlinear. However, by connecting the thermistors in series with a properly chosen resistor ( $R_{EXT}$ ) and using the MAX6691 to measure the voltage across the resistor, a reasonably linear transfer function can be obtained over a limited temperature range. Linearity improves for smaller temperature ranges.

Figures 3 and 4 show typical  $T_{HIGH}/T_{LOW}$  curves for a standard thermistor in conjunction with values of  $R_{EXT}$  chosen to optimize linearity over two series resistors chosen to optimize linearity over two different temperature ranges.

NTC thermistors are often described by the resistance at +25°C. Therefore, a 10kΩ thermistor has a resistance of 10kΩ at +25°C. When choosing a thermistor, ensure that the thermistor's minimum resistance (which occurs at the maximum expected operating temperature) in series with  $R_{EXT}$  does not cause the voltage reference output current to exceed about 1mA. Some standard 10kΩ thermistors with similar characteristics are listed in Table 1.

### Choosing $R_{EXT}$

Choose  $R_{EXT}$  to minimize nonlinearity errors from the thermistor:

- 1) Decide on the temperature range of interest (for example 0°C to +70°C).
- 2) Find the thermistor values at the limits of the temperature range.  $R_{MIN}$  is the minimum thermistor value (at the maximum temperature) and  $R_{MAX}$  is the maximum thermistor value (at the minimum temperature). Also find  $R_{MID}$ , the thermistor resistance in the middle of the temperature range (+35°C for the 0°C to +70°C range).
- 3) Find  $R_{EXT}$  using the equation below:

$$R_{EXT} = \frac{R_{MIN}(R_{MIN} + R_{MAX}) - 2R_{MIN} \times R_{MID}}{R_{MIN} + R_{MAX} - 2R_{MID}}$$

### Power-Supply Considerations

The MAX6691 accuracy is relatively unaffected by power-supply coupled noise. In most applications,

# Four-Channel Thermistor Temperature-to-Pulse-Width Converter

**Table 1. Standard Thermistors**

MANUFACTURER	PART	WEBSITE
Betatherm	10K3A1	<a href="http://www.betatherm.com/indexna.htm">www.betatherm.com/indexna.htm</a>
Dale	1M1002	<a href="http://www.vishay.com/brands/dale/main.html">www.vishay.com/brands/dale/main.html</a>
Thermometrics	C100Y103J	<a href="http://www.thermometrics.com">www.thermometrics.com</a>

bypass V<sub>CC</sub> to GND by placing a 0.1µF to 1.0µF ceramic bypass capacitor close to the supply pin of the devices.

### Thermal Considerations

Self-heating degrades the temperature measurement accuracy of thermistors. The amount of self-heating depends on the power dissipated and the dissipation constant of the thermistor. Dissipation constants depend on the thermistor's package and can vary considerably.

A typical thermistor might have a dissipation constant equal to 1mW/°C. For every milliwatt the thermistor dissipates, its temperature rises by 1°C. For example, consider a 10kΩ (at +25°C) NTC thermistor in series with a 5110Ω resistor operating +40°C with a constant 5V bias. If it is one of the standard thermistors previously mentioned, its resistance is 5325Ω at this temperature. The power dissipated in the thermistor is:

$$(5V)^2 (5325\Omega) / (5325\Omega + 5110\Omega)^2 = 1.22mW$$

This thermistor therefore has a self-heating error at +40°C of 1.22°C. Because the MAX6691 uses a small reference voltage and energizes each thermistor for only about 25ms per conversion cycle, the self-heating of the thermistor under the same conditions when used with the MAX6691 is far less. Assuming one conversion cycle every 5s, each thermistor is energized only 0.5% of the time:

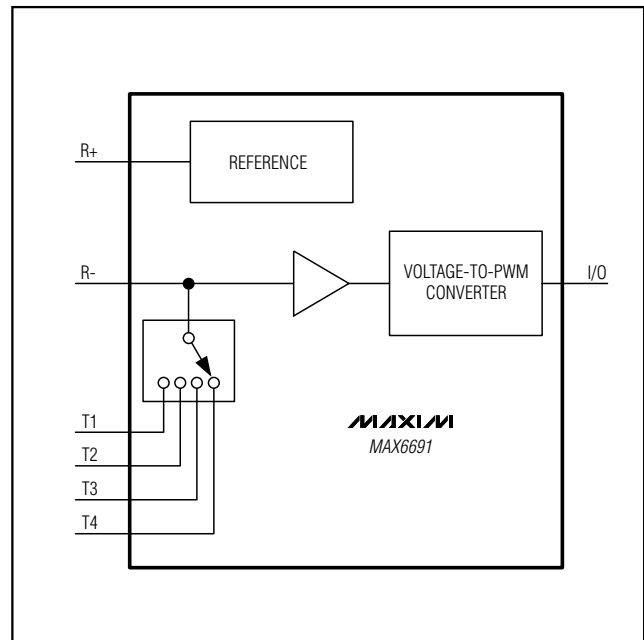
$$(1.22)^2 (5325)(0.005) / (5325 + 5110)^2 = 0.364\mu W, \text{ or only about } 0.00036^\circ C \text{ self-heating error.}$$

### Chip Information

TRANSISTOR COUNT: 7621

PROCESS: BiCMOS

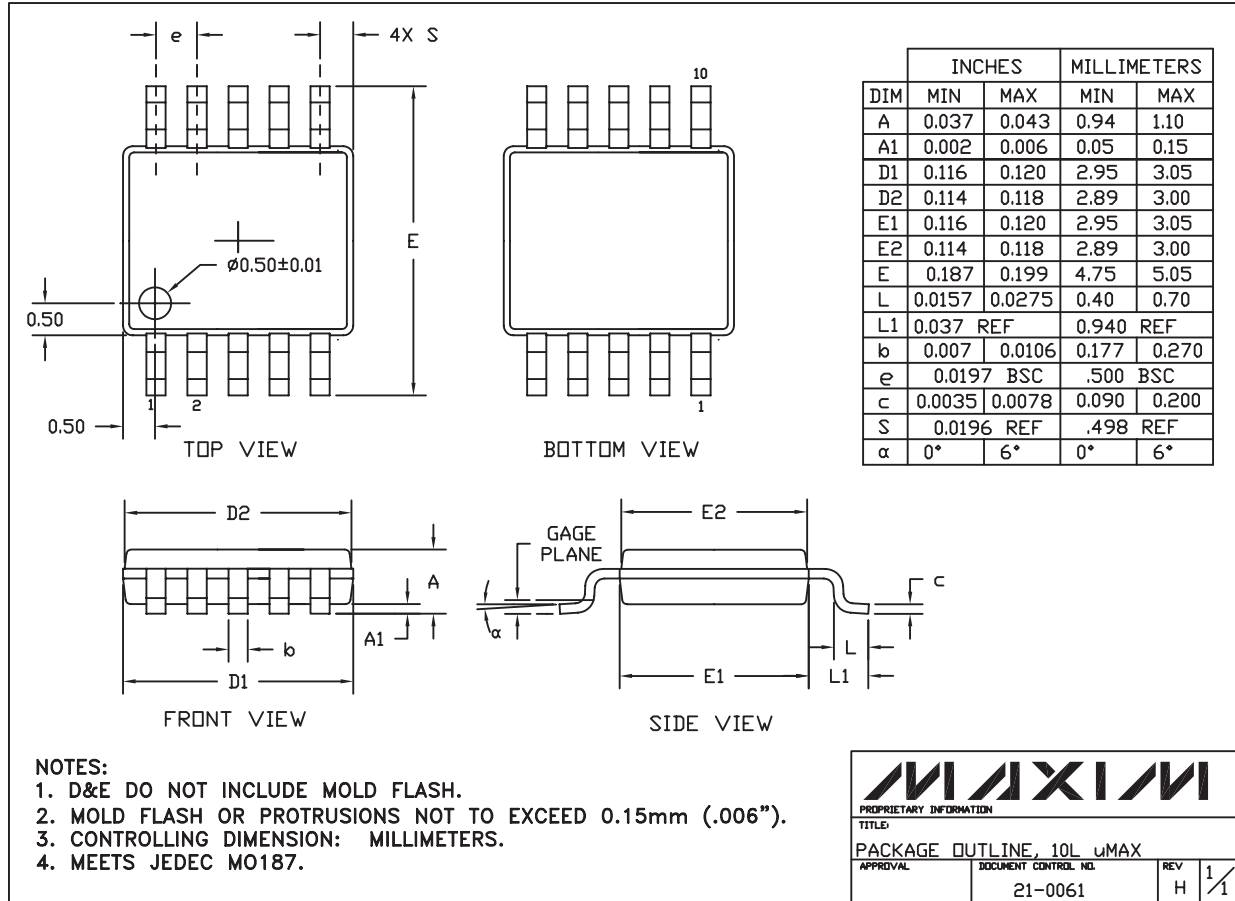
### Functional Diagram



# Four-Channel Thermistor Temperature-to-Pulse-Width Converter

## Package Information

**MAX6691**



10LUMAX.EPS

Maxim cannot assume responsibility for use of any circuitry other than circuitry entirely embodied in a Maxim product. No circuit patent licenses are implied. Maxim reserves the right to change the circuitry and specifications without notice at any time.

**Maxim Integrated Products, 120 San Gabriel Drive, Sunnyvale, CA 94086 408-737-7600** \_\_\_\_\_ **7**

SUNSTAR商斯达实业集团是集研发、生产、工程、销售、代理经销、技术咨询、信息服务等为一体的高科技企业，是专业高科技电子产品生产厂家，是具有10多年历史的专业电子元器件供应商，是中国最早和最大的仓储式连锁规模经营大型综合电子零部件代理分销商之一，是一家专业代理和分销世界各大品牌IC芯片和电子元器件的连锁经营综合性国际公司。在香港、北京、深圳、上海、西安、成都等全国主要电子市场设有直属分公司和产品展示展销窗口门市部专卖店及代理分销商，已在全国范围内建成强大统一的供货和代理分销网络。我们专业代理经销、开发生产电子元器件、集成电路、传感器、微波光电元器件、工控机/DOC/DOM电子盘、专用电路、单片机开发、MCU/DSP/ARM/FPGA软件硬件、二极管、三极管、模块等，是您可靠的一站式现货配套供应商、方案提供商、部件功能模块开发配套商。专业以现代信息产业（计算机、通讯及传感器）三大支柱之一的传感器为主营业务，专业经营各类传感器的代理、销售生产、网络信息、科技图书资料及配套产品设计、工程开发。我们的专业网站——中国传感器科技信息网（全球传感器数据库）[www.SENSOR-IC.COM](http://www.SENSOR-IC.COM) 服务于全球高科技生产商及贸易商，为企业科技产品开发提供技术交流平台。欢迎各厂商互通有无、交换信息、交换链接、发布寻求代理信息。欢迎国外高科技传感器、变送器、执行器、自动控制产品厂商介绍产品到中国，共同开拓市场。本网站是关于各种传感器-变送器-仪器仪表及工业自动化大型专业网站，深入到工业控制、系统工程计 测量、自动化、安防报警、消费电子等众多领域，把最新的传感器-变送器-仪器仪表买卖信息，最新技术供求，最新采购商，行业动态，发展方向，最新的技术应用和市场资讯及时的传递给广大科技开发、科学研究、产品设计人员。本网站已成功为石油、化工、电力、医药、生物、航空、航天、国防、能源、冶金、电子、工业、农业、交通、汽车、矿山、煤炭、纺织、信息、通信、IT、安防、环保、印刷、科研、气象、仪器仪表等领域从事科学研究、产品设计、开发、生产制造的科技人员、管理人员、和采购人员提供满意服务。我们公司专业生产、代理、经销、销售各种传感器、变送器、敏感元器件、开关、执行器、仪器仪表、自动化控制系统：专业从事设计、生产、销售各种传感器、变送器、各种测控仪表、热工仪表、现场控制器、计算机控制系统、数据采集系统、各类环境监控系统、专用控制系统应用软件以及嵌入式系统开发及应用等工作。如热敏电阻、压敏电阻、温度传感器、温度变送器、湿度传感器、湿度变送器、气体传感器、气体变送器、压力传感器、压力变送、称重传感器、物（液）位传感器、物（液）位变送器、流量传感器、流量变送器、电流（压）传感器、溶氧传感器、霍尔传感器、图像传感器、超声波传感器、位移传感器、速度传感器、加速度传感器、扭距传感器、红外传感器、紫外传感器、火焰传感器、激光传感器、振动传感器、轴角传感器、光电传感器、接近传感器、干簧管传感器、继电器传感器、微型电泵、磁敏（阻）传感器、压力开关、接近开关、光电开关、色标传感器、光纤传感器、齿轮测速传感器、时间继电器、计数器、计米器、温控仪、固态继电器、调压模块、电磁铁、电压表、电流表等特殊传感器。同时承接传感器应用电路、产品设计和自动化工程项目。

更多产品请看本公司产品专用销售网站：

商斯达中国传感器科技信息网：<http://www.sensor-ic.com/>

商斯达工控安防网：<http://www.pc-ps.net/>

商斯达电子元器件网：<http://www.sunstare.com/>

商斯达微波光电产品网：[HTTP://www.rfoe.net/](http://www.rfoe.net/)

商斯达消费电子产品网：<http://www.icasic.com/>

商斯达军工产品网：<http://www.junpinic.com/>

商斯达实业科技产品网：<http://www.sunstars.cn/> 传感器销售热线：

地址：深圳市福田区福华路福庆街鸿图大厦1602室

电话：0755-83607652 83376489 83376549 83370250 83370251 82500323

传真：0755-83376182 (0) 13902971329 MSN: [SUNS888@hotmail.com](mailto:SUNS888@hotmail.com)

邮编：518033 E-mail: [szss20@163.com](mailto:szss20@163.com) QQ: 195847376

深圳赛格展销部：深圳华强北路赛格电子市场2583号 电话：0755-83665529 25059422

技术支持：0755-83394033 13501568376

欢迎索取免费详细资料、设计指南和光盘；产品凡多，未能尽录，欢迎来电查询。

北京分公司：北京海淀区知春路132号中发电子大厦3097号

TEL: 010-81159046 82615020 13501189838 FAX: 010-62543996

上海分公司：上海市北京东路668号上海赛格电子市场D125号

TEL: 021-28311762 56703037 13701955389 FAX: 021-56703037

西安分公司：西安高新开发区20所(中国电子科技集团导航技术研究所)

西安劳动南路88号电子商城二楼D23号

TEL: 029-81022619 13072977981 FAX: 029-88789382