



0.1GHz to 2.5GHz, 75dB Logarithmic Detector/Controller

MAX2015

General Description

The MAX2015 complete multistage logarithmic amplifier is designed to accurately convert radio-frequency (RF) signal power in the 0.1GHz to 2.5GHz frequency range to an equivalent DC voltage. The outstanding dynamic range and precision over temperature of this log amplifier make it particularly useful for a variety of base station and other wireless applications, including automatic gain control (AGC), transmitter power measurements, and received signal strength indication (RSSI) for terminal devices.

The MAX2015 can also be operated in a controller mode where it measures, compares, and controls the output power of a variable-gain amplifier as part of a fully integrated AGC loop.

This logarithmic amplifier provides much wider measurement range and superior accuracy compared to controllers based on diode detectors, while achieving excellent temperature stability over the full -40°C to +85°C operating range.

Applications

- AGC Measurement and Control
- RF Transmitter Power Measurement
- RSSI Measurements
- Cellular Base Station, WLAN, Microwave Link, Radar, and other Military Applications

Features

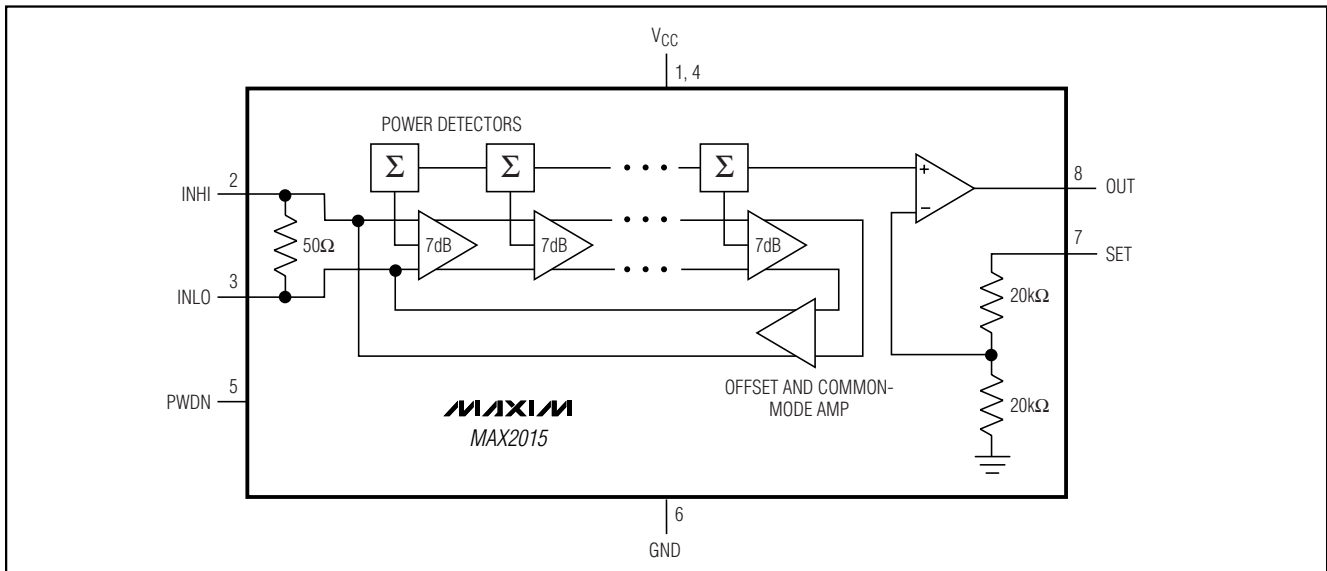
- ◆ Complete RF Detector/Controller
- ◆ 0.1GHz to 2.5GHz Frequency Range
- ◆ Exceptional Accuracy Over Temperature
- ◆ High Dynamic Range
- ◆ 2.7V to 5.25V Supply Voltage Range*
- ◆ Scaling Stable Over Supply and Temperature Variations
- ◆ Controller Mode with Error Output
- ◆ Shutdown Mode with Typically 1µA of Supply Current
- ◆ Available in 8-Pin µMAX Package

*See Power-Supply Connections section.

Ordering Information

| PART | TEMP RANGE | PIN-PACKAGE |
|--------------|----------------|-------------|
| MAX2015EUA-T | -40°C to +85°C | 8 µMAX |

Functional Diagram



Pin Configuration appears at end of data sheet.



For pricing, delivery, and ordering information, please contact Maxim/Dallas Direct! at 1-888-629-4642, or visit Maxim's website at www.maxim-ic.com.

MAX2015

0.1GHz to 2.5GHz, 75dB Logarithmic Detector/Controller

ABSOLUTE MAXIMUM RATINGS

| | | | |
|---|-----------------------|---|-----------------|
| VCC (Pins, 1, 4) to GND..... | -0.3V to +5.25V | Operating Temperature Range | -40°C to +85°C |
| SET, PWDN to GND..... | -0.3V to (VCC + 0.3V) | Junction Temperature | +150°C |
| Input Power Differential INHI, INLO..... | +23dBm | Storage Temperature Range | -65°C to +150°C |
| Input Power Single Ended (INHI or INLO grounded)..... | +19dBm | Lead Temperature (soldering, 10s) | +300°C |
| Continuous Power Dissipation (TA = +70°C) | | | |
| 8-Pin μ MAX (derate 4.5mW/°C above +70°C)..... | 362mW | | |

Stresses beyond those listed under "Absolute Maximum Ratings" may cause permanent damage to the device. These are stress ratings only, and functional operation of the device at these or any other conditions beyond those indicated in the operational sections of the specifications is not implied. Exposure to absolute maximum rating conditions for extended periods may affect device reliability.

DC ELECTRICAL CHARACTERISTICS

(MAX2015 Typical Application Circuit (Figure 1), VS = +3.3V, fRF = 100MHz to 2500MHz, R1 = 0 Ω , R4 = 0 Ω , RL = 10k Ω , TA = -40°C to +85°C, unless otherwise noted. Typical values are at TA = +25°C, unless otherwise noted.) (Note 1)

| PARAMETER | SYMBOL | CONDITIONS | MIN | TYP | MAX | UNITS |
|------------------------------------|-----------|--|------|------------|------|------------|
| POWER SUPPLY | | | | | | |
| Supply Voltage | VS | R4 = 75 Ω \pm 1%, PWDN must be connected to GND | 4.75 | | 5.25 | V |
| | | R4 = 0 Ω | 2.7 | | 3.6 | |
| Supply Current | ICC | TA = +25°C, VS = 5.25V, R4 = 75 Ω | | 17.3 | | mA |
| | | TA = +25°C | | 17.3 | 20.5 | |
| Supply Current Variation with Temp | ICC | TA = -40°C to +85°C | | 0.05 | | mA/°C |
| Shutdown Current | ICC | VPWDN = VCC | | 1 | | μ A |
| CONTROLLER REFERENCE (SET) | | | | | | |
| SET Input Voltage Range | | | | 0.5 to 1.8 | | V |
| SET Input Impedance | | | | 40 | | k Ω |
| DETECTOR OUTPUT (OUT) | | | | | | |
| Source Current | | | | 4 | | mA |
| Sink Current | | | | 450 | | μ A |
| Minimum Output Voltage | VOUT(MIN) | | | 0.5 | | V |
| Maximum Output Voltage | VOUT(MAX) | | | 1.8 | | V |

0.1GHz to 2.5GHz, 75dB Logarithmic Detector/Controller

MAX2015

AC ELECTRICAL CHARACTERISTICS

(MAX2015 Typical Application Circuit (Figure 1), $V_S = +3.3V$, $f_{RF} = 100MHz$ to $2500MHz$, $R_1 = 0\Omega$, $R_4 = 0\Omega$, $R_L = 10k\Omega$, $T_A = -40^\circ C$ to $+85^\circ C$, unless otherwise noted. Typical values are at $T_A = +25^\circ C$, unless otherwise noted.) (Note 1)

| PARAMETER | SYMBOL | CONDITIONS | MIN | TYP | MAX | UNITS |
|---|----------|---|-----|--------------|-----|------------------|
| RF Input Frequency Range | f_{RF} | | | 0.1 to 2.5 | | GHz |
| Return Loss | S_{11} | | | -15 | | dB |
| Large-Signal Response Time | | $P_{IN} =$ no signal to $0dBm$, $\pm 0.5dB$ settling accuracy | | 150 | | ns |
| RSSI MODE—0.1GHz | | | | | | |
| RF Input Power Range | | (Note 2) | | -65 to +5 | | dBm |
| $\pm 3dB$ Dynamic Range | | $T_A = -40^\circ C$ to $+85^\circ C$ (Note 3) | | 70 | | dB |
| Range Center | | | | -30 | | dBm |
| Temp Sensitivity when $T_A > +25^\circ C$ | | $T_A = +25^\circ C$ to $+85^\circ C$, $P_{IN} = -25dBm$ | | +0.0083 | | dB/ $^\circ C$ |
| Temp Sensitivity when $T_A < +25^\circ C$ | | $T_A = -40^\circ C$ to $+25^\circ C$, $P_{IN} = -25dBm$ | | -0.0154 | | dB/ $^\circ C$ |
| Slope | | (Note 4) | | 19 | | mV/dB |
| Typical Slope Variation | | $T_A = -40^\circ C$ to $+85^\circ C$ | | -4 | | $\mu V/^\circ C$ |
| Intercept | | (Note 5) | | -100 | | dBm |
| Typical Intercept Variation | | $T_A = -40^\circ C$ to $+85^\circ C$ | | 0.03 | | dBm/ $^\circ C$ |
| RSSI MODE—0.9GHz | | | | | | |
| RF Input Power Range | | (Note 2) | | -65 to +5 | | dBm |
| $\pm 3dB$ Dynamic Range | | $T_A = -40^\circ C$ to $+85^\circ C$ (Note 3) | | 70 | | dB |
| Range Center | | | | -30 | | dBm |
| Temp Sensitivity when $T_A > +25^\circ C$ | | $T_A = +25^\circ C$ to $+85^\circ C$, $P_{IN} = -25dBm$ | | ± 0.0083 | | dB/ $^\circ C$ |
| Temp Sensitivity when $T_A < +25^\circ C$ | | $T_A = -40^\circ C$ to $+25^\circ C$, $P_{IN} = -25dBm$ | | -0.0154 | | dB/ $^\circ C$ |
| Slope | | (Note 4) | | 18.1 | | mV/dB |
| Typical Slope Variation | | $T_A = -40^\circ C$ to $+85^\circ C$ | | -4 | | $\mu V/^\circ C$ |
| Intercept | | (Note 5) | | -97 | | dBm |
| Typical Intercept Variation | | $T_A = -40^\circ C$ to $+85^\circ C$ | | 0.02 | | dBm/ $^\circ C$ |
| RSSI MODE—1.9GHz | | | | | | |
| RF Input Power Range | | (Note 2) | | -55 to +5 | | dBm |
| $\pm 3dB$ Dynamic Range | | $T_A = -40^\circ C$ to $+85^\circ C$ (Note 3) | | 60 | | dB |
| Range Center | | | | -25 | | dBm |
| Temp Sensitivity when $T_A > +25^\circ C$ | | $T_A = +25^\circ C$ to $+85^\circ C$, $P_{IN} = -25dBm$ | | ± 0.0033 | | dB/ $^\circ C$ |
| Temp Sensitivity when $T_A < +25^\circ C$ | | $T_A = -40^\circ C$ to $+25^\circ C$, $P_{IN} = -25dBm$ | | -0.0138 | | dB/ $^\circ C$ |
| Slope | | (Note 4) | | 18 | | mV/dB |
| Typical Slope Variation | | $T_A = -40^\circ C$ to $+85^\circ C$ | | -4.8 | | $\mu V/^\circ C$ |

0.1GHz to 2.5GHz, 75dB Logarithmic Detector/Controller

MAX2015

AC ELECTRICAL CHARACTERISTICS (continued)

(MAX2015 Typical Application Circuit (Figure 1), $V_S = +3.3V$, $f_{RF} = 100MHz$ to $2500MHz$, $R_1 = 0\Omega$, $R_4 = 0\Omega$, $R_L = 10k\Omega$, $T_A = -40^\circ C$ to $+85^\circ C$, unless otherwise noted. Typical values are at $T_A = +25^\circ C$, unless otherwise noted.) (Note 1)

| PARAMETER | SYMBOL | CONDITIONS | MIN | TYP | MAX | UNITS |
|---|--------|---|-----|-----------|-----|------------------|
| Intercept | | (Note 5) | | -83 | | dBm |
| Typical Intercept Variation | | $T_A = -40^\circ C$ to $+85^\circ C$ | | 0.03 | | dBm/ $^\circ C$ |
| RSSI MODE—2.5GHz | | | | | | |
| RF Input Power Range | | (Note 2) | | -45 to -5 | | dBm |
| $\pm 3dB$ Dynamic Range | | $T_A = -40^\circ C$ to $+85^\circ C$ (Note 3) | | 40 | | dB |
| Range Center | | | | -25 | | dBm |
| Temp Sensitivity when $T_A > +25^\circ C$ | | $T_A = +25^\circ C$ to $+85^\circ C$, $P_{IN} = -25dBm$ | | -0.0083 | | dB/ $^\circ C$ |
| Temp Sensitivity when $T_A < +25^\circ C$ | | $T_A = -40^\circ C$ to $+25^\circ C$, $P_{IN} = -25dBm$ | | -0.0083 | | dB/ $^\circ C$ |
| Slope | | (Note 4) | | 16.8 | | mV/dB |
| Typical Slope Variation | | $T_A = -40^\circ C$ to $+85^\circ C$ | | -8 | | $\mu V/^\circ C$ |
| Intercept | | (Note 5) | | -81 | | dBm |
| Typical Intercept Variation | | $T_A = -40^\circ C$ to $+85^\circ C$ | | 0.03 | | dBm/ $^\circ C$ |

Note 1: The MAX2015 is 100% production tested at $T_A = +25^\circ C$ and is guaranteed by design for $T_A = -40^\circ C$ to $+85^\circ C$, as specified.

Note 2: Typical minimum and maximum range of the detector at the stated frequency.

Note 3: Dynamic range refers to the range over which the error remains within the stated bounds. The error is calculated at $-40^\circ C$ and $+85^\circ C$, relative to the curve at $+25^\circ C$.

Note 4: The slope is the variation of the output voltage per change in input power. It is calculated by fitting a root-mean-square (RMS) straight line to the data indicated by RF input power range.

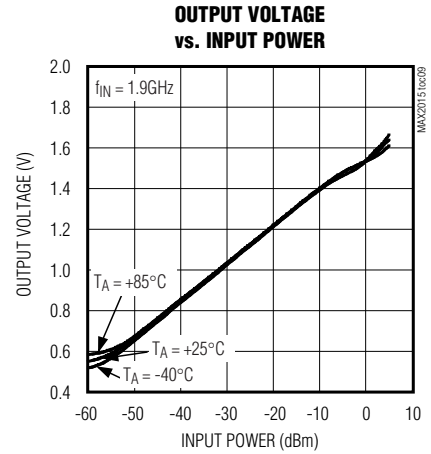
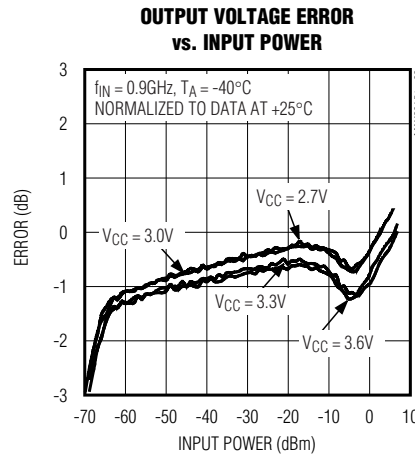
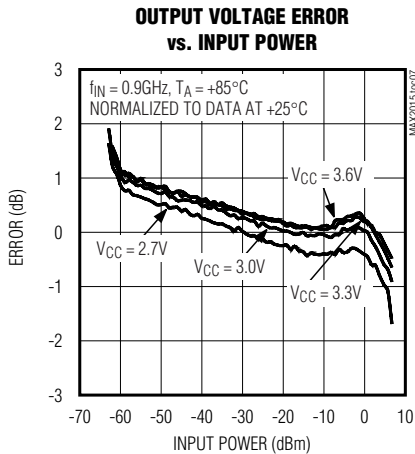
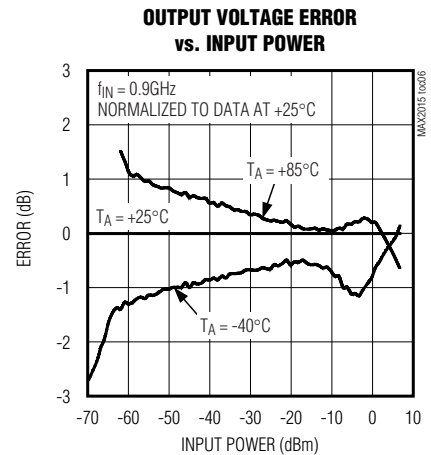
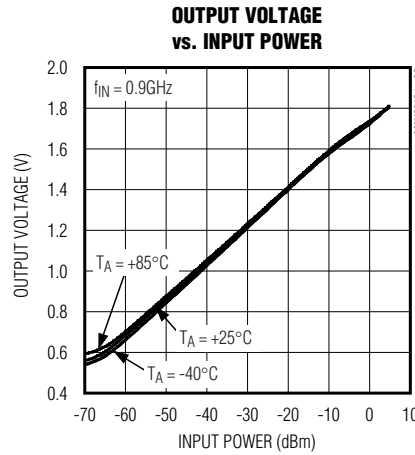
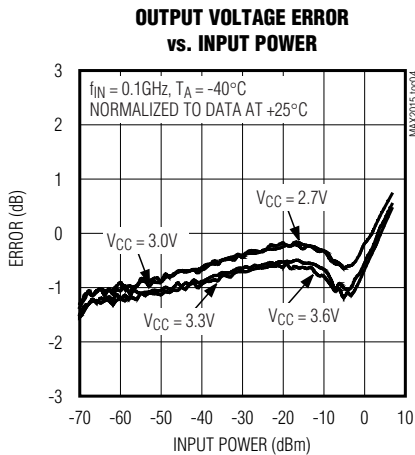
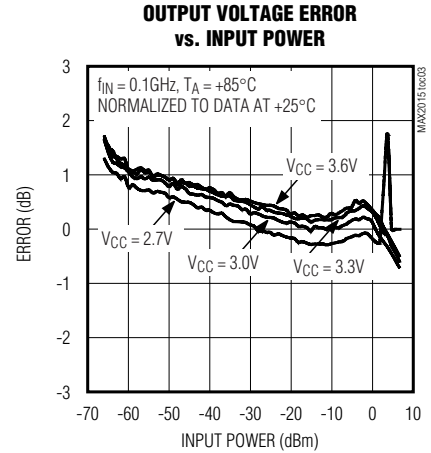
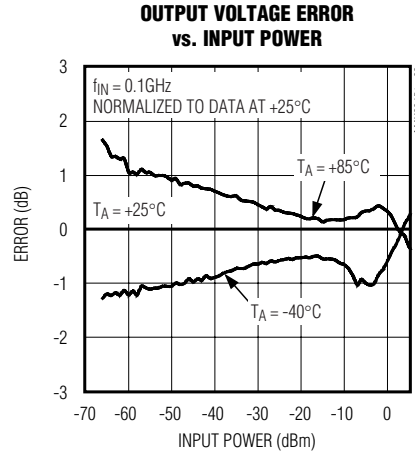
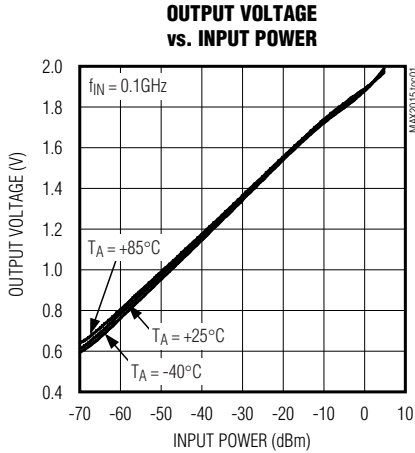
Note 5: The intercept is an extrapolated value that corresponds to the output power for which the output voltage is zero. It is calculated by fitting an RMS straight line to the data.

0.1GHz to 2.5GHz, 75dB Logarithmic Detector/Controller

Typical Operating Characteristics

(MAX2015 Typical Application Circuit (Figure 1), $V_S = V_{CC} = 3.3V$, $P_{IN} = -10dBm$, $f_{IN} = 100MHz$, $R_1 = 0\Omega$, $R_4 = 0\Omega$, $R_L = 10k\Omega$, $V_{P_{W_{DN}}} = 0V$, $T_A = +25^\circ C$, unless otherwise noted.)

MAX2015

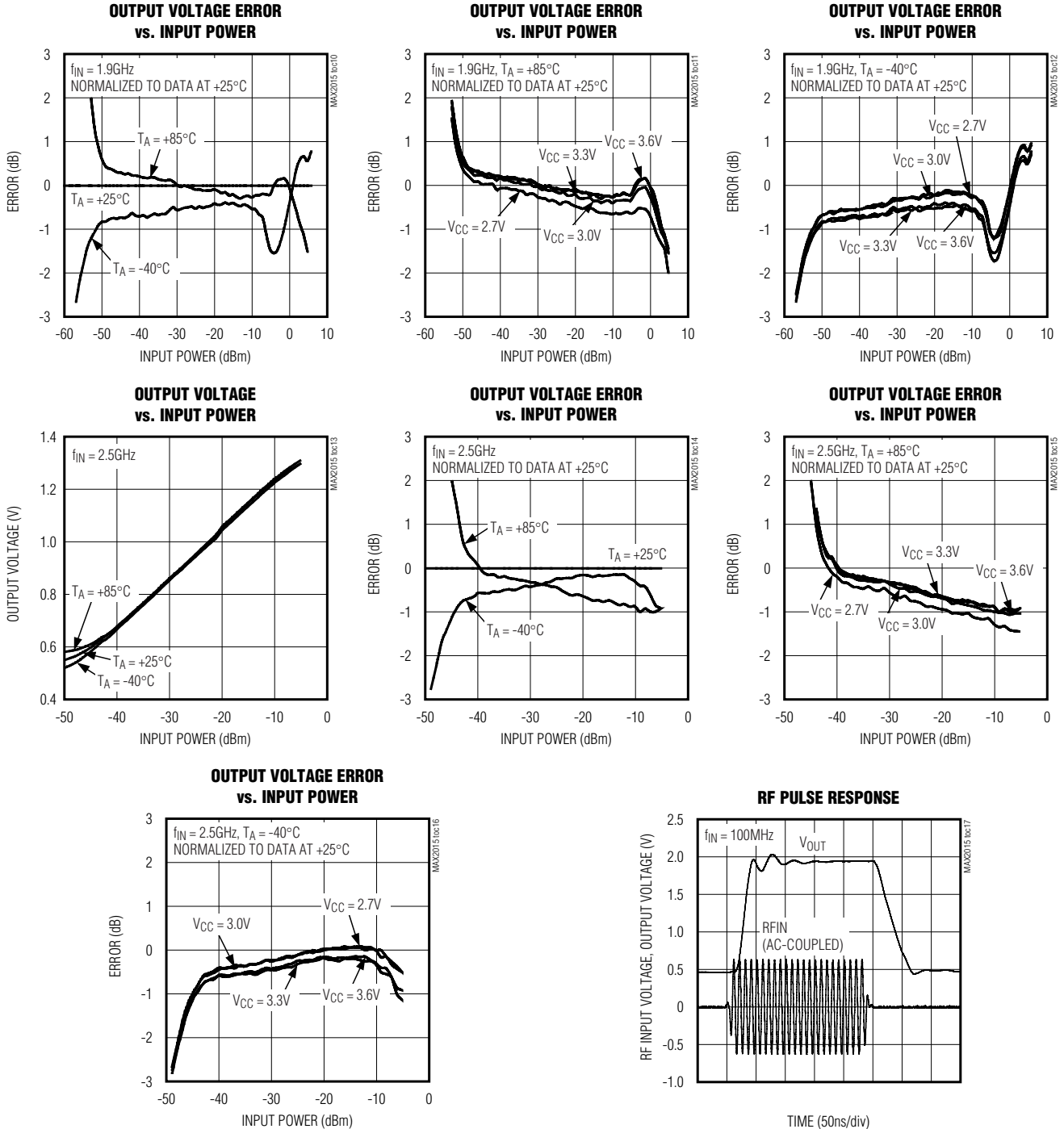


0.1GHz to 2.5GHz, 75dB Logarithmic Detector/Controller

Typical Operating Characteristics (continued)

(MAX2015 Typical Application Circuit (Figure 1), $V_S = V_{CC} = 3.3V$, $P_{IN} = -10dBm$, $f_{IN} = 100MHz$, $R_1 = 0\Omega$, $R_4 = 0\Omega$, $R_L = 10k\Omega$, $V_{PWRDN} = 0V$, $T_A = +25^\circ C$, unless otherwise noted.)

MAX2015

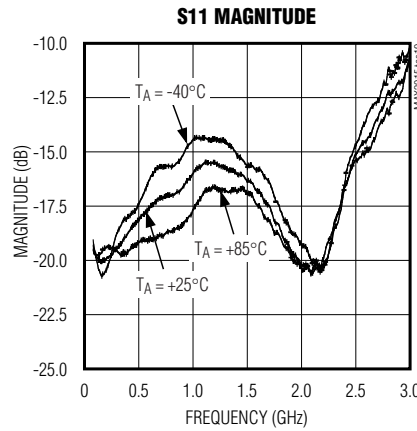
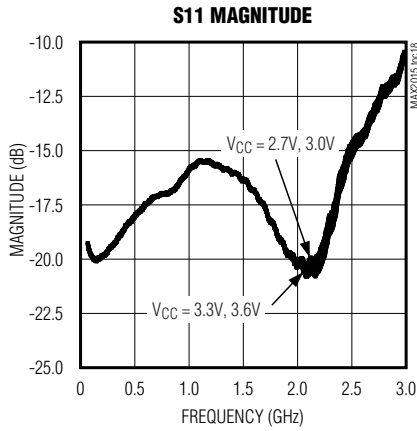


0.1GHz to 2.5GHz, 75dB Logarithmic Detector/Controller

MAX2015

Typical Operating Characteristics (continued)

(MAX2015 Typical Application Circuit (Figure 1), $V_S = V_{CC} = 3.3V$, $P_{IN} = -10dBm$, $f_{IN} = 100MHz$, $R_1 = 0\Omega$, $R_4 = 0\Omega$, $R_L = 10k\Omega$, $V_{PWDN} = 0V$, $T_A = +25^\circ C$, unless otherwise noted.)



Pin Description

| PIN | NAME | DESCRIPTION |
|------|-----------------|--|
| 1, 4 | V _{CC} | Supply Voltage. Bypass with capacitors as specified in the application drawing. Place capacitors as close to the pin as possible (see <i>Power-Supply Connections</i> section). |
| 2, 3 | INH1, INLO | Differential RF Inputs |
| 5 | PWDN | Power-Down Input. Drive PWDN with a logic high to power down the IC. PWDN must be connected to GND for V_S between 4.75V and 5.25V with $R_4 = 75\Omega$ |
| 6 | GND | Ground. Connect to the printed circuit (PC) board ground plane. |
| 7 | SET | Set-Point Input. To operate in detector mode, connect SET to OUT. To operate in controller mode, connect a precision voltage source to control the power level of a power amplifier. |
| 8 | OUT | Detector Output. In detector mode, this output provides a voltage proportional to the log of the input power. In controller mode, this output is connected to a power-control input on a power amplifier (PA). |

0.1GHz to 2.5GHz, 75dB Logarithmic Detector/Controller

Detailed Description

The MAX2015 is a successive detection logarithmic amplifier designed for use in RF power measurement and AGC applications with a 0.1GHz to 2.5GHz frequency range from a single 2.7V to 3.6V power supply. It is pin compatible with other leading logarithmic amplifiers.

The MAX2015 provides for improved performance with a high 75dB dynamic range at 100MHz, and exceptional accuracy over the extended temperature range and supply voltage range.

RF Input

The MAX2015 differential RF input (INHI, INLO) allows for broadband signals between 100MHz and 2.5GHz. For single-ended signals, AC-couple INLO to ground. The RF inputs are internally biased and need to be AC-coupled using 680pF capacitors as shown in Figure 1 and Figure 2. An internal 50Ω resistor between INHI and INLO provides a good 50MHz to 3.0GHz match.

SET Input

The SET input is used for loop control when in controller mode or to set the slope of the output signal (mV/dB) when in detector mode. The internal input structure of SET is two series 20kΩ resistors connected to ground. The center node of the resistors is fed to the negative input of the internal output op amp.

Power-Supply Connections

The MAX2015 requires power-supply bypass capacitors connected close to each VCC pin. At each VCC pin, connect a 0.1μF capacitor (C4, C6) and a 100pF capacitor (C3, C5) with the 100pF capacitor being closest to the pin.

For power-supply voltages (V_S) between 2.7V and 3.6V, set $R_4 = 0\Omega$ (see *Typical Applications Circuits*).

For power-supply voltages (V_S) between 4.75V and 5.25V, set $R_4 = 75\Omega \pm 1\%$ (100ppm/°C max) and PWDN must be connected to GND.

Power-Down Mode

The MAX2015 can be powered down by driving PWDN with logic high (logic high = VCC). In power-down mode, the supply current is reduced to a typical value of 1μA. For normal operation, drive PWDN with a logic low. It is recommended when using power-down that an RF signal not be applied before the power-down signal is low.

Applications Information

Detector (RSSI) Mode

In detector mode, the MAX2015 acts like an RSSI, which provides an output voltage proportional to the input power. This is accomplished by providing a feedback path from OUT to SET ($R_1 = 0\Omega$; see Figure 1).

By connecting SET directly to OUT, the op amp gain is set to 2V/V due to two internal 20kΩ feedback resistors. This provides a detector slope of approximately 18mV/dB with a 0.5V to 1.8V output range.

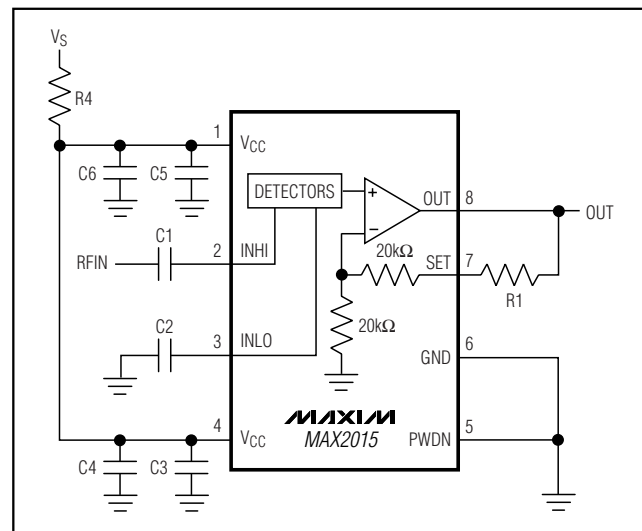


Figure 1. Detector-Mode (RSSI) Typical Application Circuit

Table 1. Suggested Components of Typical Applications Circuits

| DESIGNATION | VALUE | TYPE |
|-------------|-------|-------------------------|
| C1, C2 | 680pF | 0603 ceramic capacitors |
| C3, C5 | 100pF | 0603 ceramic capacitors |
| C4, C6 | 0.1μF | 0603 ceramic capacitors |
| R1* | 0Ω | 0603 resistor |
| R4** | 0Ω | 0603 resistor |

*RSSI mode only.

** $V_S = 2.7V$ to $3.6V$.

0.1GHz to 2.5GHz, 75dB Logarithmic Detector/Controller

Controller Mode

The MAX2015 can also be used as a detector/controller within an AGC loop. Figure 3 depicts one scenario where the MAX2015 is employed as the controller for a variable-gain PA. As shown in the figure, the MAX2015 monitors the output of the PA through a directional coupler. An internal integrator (Figure 2) compares the detected signal with a reference voltage determined by V_{SET} . The integrator, acting like a comparator, increases or decreases the voltage at OUT, according to how closely the detected signal level matches the V_{SET} reference. The MAX2015 adjusts the power of the PA to a level determined by the voltage applied to SET. With $R1 = 0\Omega$, the controller mode slope is approximately 19mV/dB (RF = 100MHz).

Layout Considerations

As with any RF circuit, the layout of the MAX2015 circuit affects the device's performance. Use an abundant number of ground vias to minimize RF coupling. Place the input capacitors (C1, C2) and the bypass capacitors (C3–C6) as close to the IC as possible. Connect the bypass capacitors to the ground plane with multiple vias.

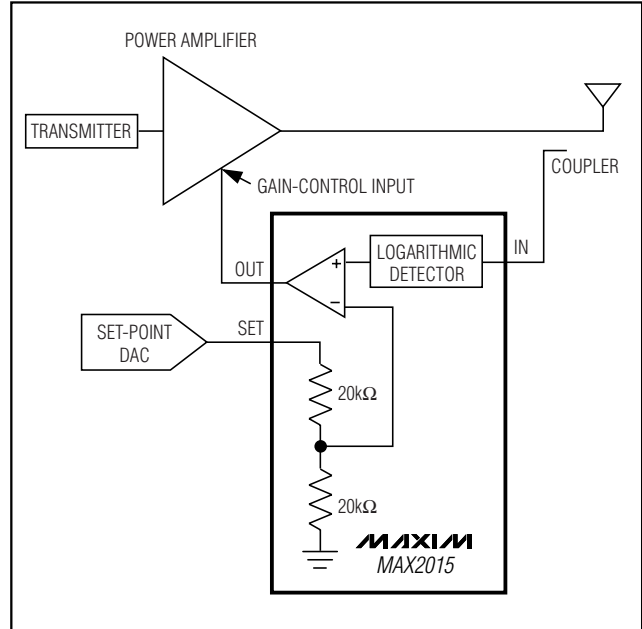


Figure 3. System Diagram for Automatic Gain-Control Loop

Pin Configuration

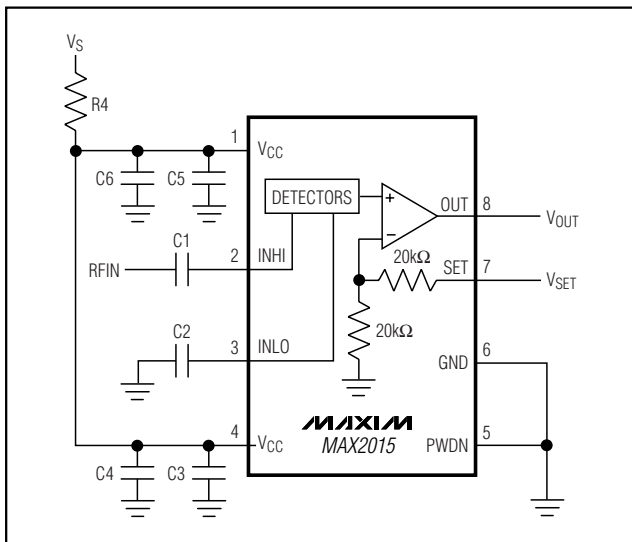
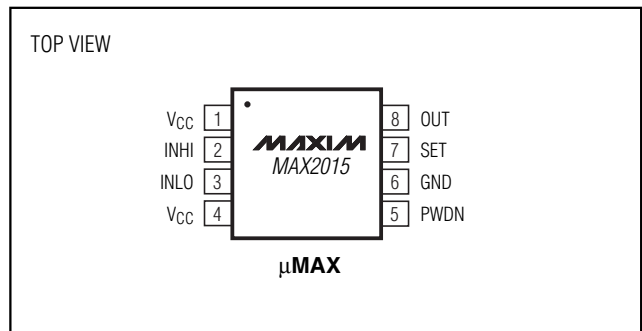


Figure 2. Controller-Mode Typical Application Circuit

Chip Information

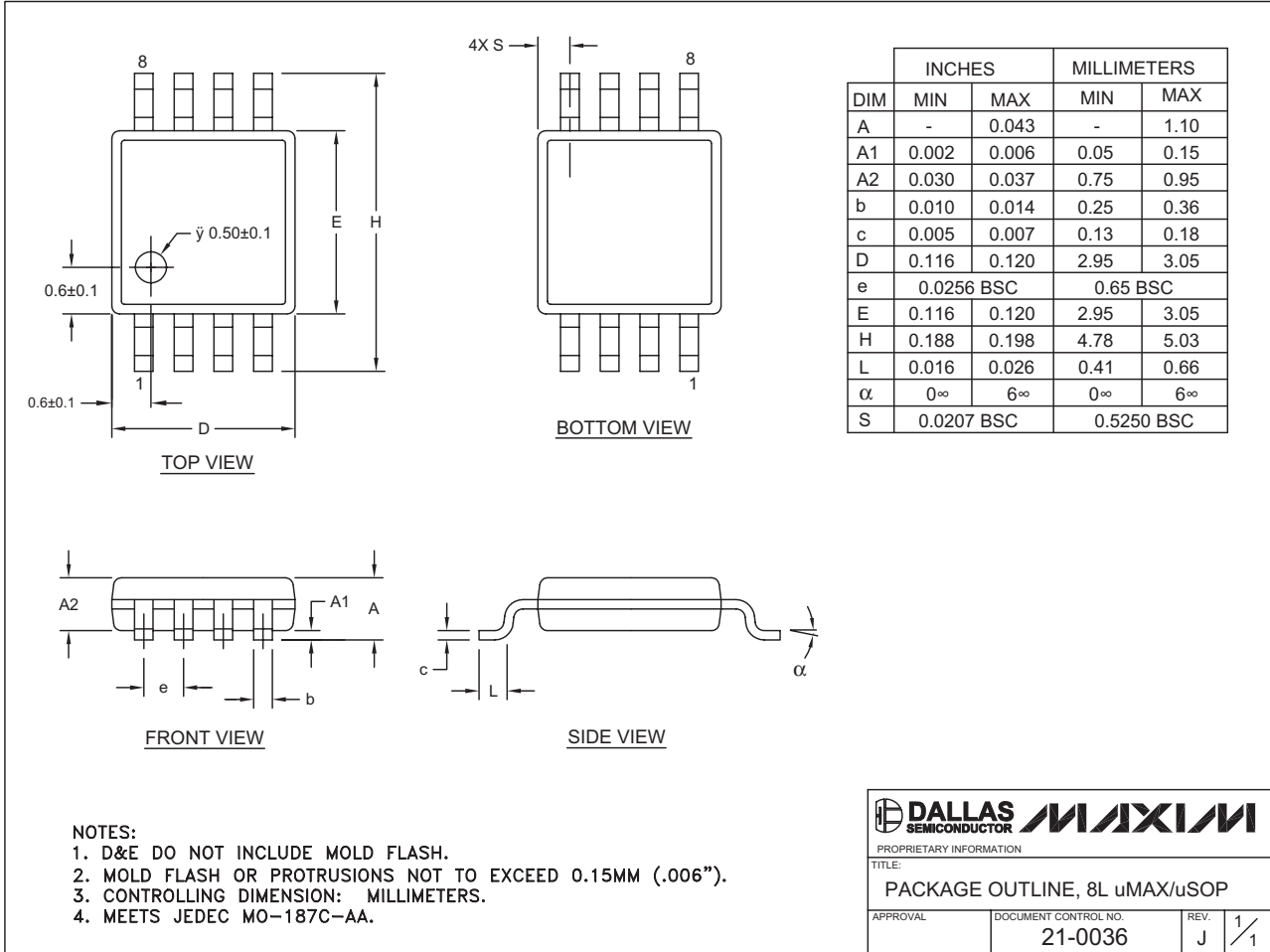
TRANSISTOR COUNT: 3157
PROCESS: BiCMOS

MAX2015

0.1GHz to 2.5GHz, 75dB Logarithmic Detector/Controller

Package Information

(The package drawing(s) in this data sheet may not reflect the most current specifications. For the latest package outline information, go to www.maxim-ic.com/packages.)



Maxim cannot assume responsibility for use of any circuitry other than circuitry entirely embodied in a Maxim product. No circuit patent licenses are implied. Maxim reserves the right to change the circuitry and specifications without notice at any time.

10 _____ **Maxim Integrated Products, 120 San Gabriel Drive, Sunnyvale, CA 94086 408-737-7600**

© 2003 Maxim Integrated Products

Printed USA

MAXIM is a registered trademark of Maxim Integrated Products.

SUNSTAR商斯达实业集团是集研发、生产、工程、销售、代理经销、技术咨询、信息服务等为一体的高科技企业，是专业高科技电子产品生产厂家，是具有 10 多年历史的专业电子元器件供应商，是中国最早和最大的仓储式连锁规模经营大型综合电子零部件代理分销商之一，是一家专业代理和分销世界各大品牌 IC 芯片和电子元器件的连锁经营综合性国际公司。在香港、北京、深圳、上海、西安、成都等全国主要电子市场设有直属分公司和产品展示展销窗口门市部专卖店及代理分销商，已在全国范围内建成强大统一的供货和代理分销网络。我们专业代理经销、开发生产电子元器件、集成电路、传感器、微波光电元器件、工控机/DOC/DOM 电子盘、专用电路、单片机开发、MCU/DSP/ARM/FPGA 软件硬件、二极管、三极管、模块等，是您可靠的一站式现货配套供应商、方案提供商、部件功能模块开发配套商。专业以现代信息产业（计算机、通讯及传感器）三大支柱之一的传感器为主营业务，专业经营各类传感器的代理、销售生产、网络信息、科技图书资料及配套产品设计、工程开发。我们的专业网站——中国传感器科技信息网（全球传感器数据库）www.SENSOR-IC.COM 服务于全球高科技生产商及贸易商，为企业科技产品开发提供技术交流平台。欢迎各厂商互通有无、交换信息、交换链接、发布寻求代理信息。欢迎国外高科技传感器、变送器、执行器、自动控制产品厂商介绍产品到中国，共同开拓市场。本网站是关于各种传感器-变送器-仪器仪表及工业自动化大型专业网站，深入到工业控制、系统工程计 测量、自动化、安防报警、消费电子等众多领域，把最新的传感器-变送器-仪器仪表买卖信息，最新技术供求，最新采购商，行业动态，发展方向，最新的技术应用和市场资讯及时的传递给广大科技开发、科学研究、产品设计人员。本网站已成功为石油、化工、电力、医药、生物、航空、航天、国防、能源、冶金、电子、工业、农业、交通、汽车、矿山、煤炭、纺织、信息、通信、IT、安防、环保、印刷、科研、气象、仪器仪表等领域从事科学研究、产品设计、开发、生产制造的科技人员、管理人员、和采购人员提供满意服务。我们公司专业生产、代理、经销、销售各种传感器、变送器、敏感元器件、开关、执行器、仪器仪表、自动化控制系统：专门从事设计、生产、销售各种传感器、变送器、各种测控仪表、热工仪表、现场控制器、计算机控制系统、数据采集系统、各类环境监控系统、专用控制系统应用软件以及嵌入式系统开发及应用等工作。如热敏电阻、压敏电阻、温度传感器、温度变送器、湿度传感器、湿度变送器、气体传感器、气体变送器、压力传感器、压力变送、称重传感器、物（液）位传感器、物（液）位变送器、流量传感器、流量变送器、电流（压）传感器、溶氧传感器、霍尔传感器、图像传感器、超声波传感器、位移传感器、速度传感器、加速度传感器、扭距传感器、红外传感器、紫外传感器、火焰传感器、激光传感器、振动传感器、轴角传感器、光电传感器、接近传感器、干簧管传感器、继电器传感器、微型电泵、磁敏（阻）传感器、压力开关、接近开关、光电开关、色标传感器、光纤传感器、齿轮测速传感器、时间继电器、计数器、计米器、温控仪、固态继电器、调压模块、电磁铁、电压表、电流表等特殊传感器。同时承接传感器应用电路、产品设计和自动化工程项目。

更多产品请看本公司产品专用销售网站：

商斯达中国传感器科技信息网：<http://www.sensor-ic.com/>

商斯达工控安防网：<http://www.pc-ps.net/>

商斯达电子元器件网：<http://www.sunstare.com/>

商斯达微波光电产品网：[HTTP://www.rfoe.net/](http://www.rfoe.net/)

商斯达消费电子产品网：<http://www.icasic.com/>

商斯达军工产品网：<http://www.junpinic.com/>

商斯达实业科技产品网：<http://www.sunstars.cn/> 传感器销售热线：

地址：深圳市福田区福华路福庆街鸿图大厦 1602 室

电话：0755-83607652 83376489 83376549 83370250 83370251 82500323

传真：0755-83376182 (0) 13902971329 MSN: SUNS888@hotmail.com

邮编：518033 E-mail: szss20@163.com QQ: 195847376

深圳赛格展销部：深圳华强北路赛格电子市场 2583 号 电话：0755-83665529 25059422

技术支持：0755-83394033 13501568376

欢迎索取免费详细资料、设计指南和光盘；产品凡多，未能尽录，欢迎来电查询。

北京分公司：北京海淀区知春路 132 号中发电子大厦 3097 号

TEL: 010-81159046 82615020 13501189838 FAX: 010-62543996

上海分公司：上海市北京东路 668 号上海赛格电子市场 D125 号

TEL: 021-28311762 56703037 13701955389 FAX: 021-56703037

西安分公司：西安高新开发区 20 所(中国电子科技集团导航技术研究所)

西安劳动南路 88 号电子商城二楼 D23 号

TEL: 029-81022619 13072977981 FAX: 029-88789382