



# Low-Cost, SOT23, Voltage-Output, High-Side Current-Sense Amplifier

MAX4173T/F/H

## General Description

The MAX4173 low-cost, precision, high-side current-sense amplifier is available in a tiny SOT23-6 package. It features a voltage output that eliminates the need for gain-setting resistors and it is ideal for today's notebook computers, cell phones, and other systems where current monitoring is critical. High-side current monitoring is especially useful in battery-powered systems, since it does not interfere with the ground path of the battery charger. The input common-mode range of 0 to +28V is independent of the supply voltage and ensures that the current-sense feedback remains viable even when connected to a battery in deep discharge. The MAX4173's wide 1.7MHz bandwidth makes it suitable for use inside battery charger control loops.

The combination of three gain versions and a user-selectable external sense resistor sets the full-scale current reading. This feature offers a high level of integration, resulting in a simple and compact current-sense solution.

The MAX4173 operates from a single +3V to +28V supply, typically draws only 420µA of supply current over the extended operating temperature range (-40°C to +85°C), and is offered in the space-saving SOT23-6 package.

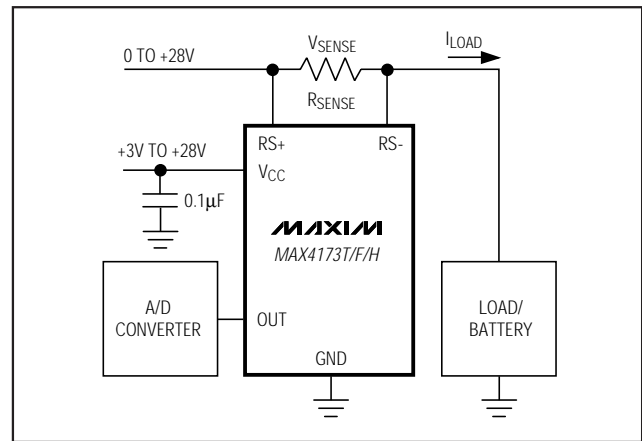
## Applications

- Notebook Computers
- Portable/Battery-Powered Systems
- Smart Battery Packs/Chargers
- Cell Phones
- Power-Management Systems
- General System/Board-Level Current Monitoring
- PA Bias Control
- Precision Current Sources

## Features

- ◆ **Low-Cost, Compact Current-Sense Solution**
- ◆ **Wide 0 to +28V Common-Mode Range Independent of Supply Voltage**
- ◆ **Three Gain Versions Available**
  - +20V/V (MAX4173T)**
  - +50V/V (MAX4173F)**
  - +100V/V (MAX4173H)**
- ◆ **±0.5% Full-Scale Accuracy**
- ◆ **420µA Supply Current**
- ◆ **Wide 1.7MHz Bandwidth (MAX4173T)**
- ◆ **+3V to +28V Operating Supply**
- ◆ **Available in Space-Saving SOT23-6 Package**

## Typical Operating Circuit



## Ordering Information

PART	GAIN (V/V)	TEMP. RANGE	PIN-PACKAGE	SOT TOP MARK
MAX4173TEUT-T	20	-40°C to +85°C	6 SOT23-6	AABN
MAX4173TESA	20	-40°C to +85°C	8 SO	-
MAX4173FEUT-T	50	-40°C to +85°C	6 SOT23-6	AABD
MAX4173FESA	50	-40°C to +85°C	8 SO	-
MAX4173HEUT-T	100	-40°C to +85°C	6 SOT23-6	AABP
MAX4173HESA	100	-40°C to +85°C	8 SO	-

Pin Configurations appear at end of data sheet.



Maxim Integrated Products 1

For free samples & the latest literature: <http://www.maxim-ic.com>, or phone 1-800-998-8800.

For small orders, phone 1-800-835-8769.

MAX4173T/F/H

# Low-Cost, SOT23, Voltage-Output, High-Side Current-Sense Amplifier

## ABSOLUTE MAXIMUM RATINGS

V<sub>CC</sub>, RS+, RS- to GND ..... -0.3V to +30V  
 OUT to GND ..... -0.3V to (V<sub>CC</sub> + 0.3V)  
 Output Short-Circuit to V<sub>CC</sub> or GND ..... Continuous  
 Differential Input Voltage (V<sub>RS+</sub> - V<sub>RS-</sub>) ..... ±0.3V  
 Current into Any Pin ..... ±20mA

Continuous Power Dissipation (T<sub>A</sub> = +70°C)  
 8-Pin SO (derate 5.88mW/°C above +70°C) ..... 471mW  
 SOT23-6 (derate 8.7mW/°C above +70°C) ..... 696mW  
 Operating Temperature Range ..... -40°C to +85°C  
 Storage Temperature Range ..... -65°C to +150°C  
 Lead Temperature (soldering, 10sec) ..... +300°C

Stresses beyond those listed under "Absolute Maximum Ratings" may cause permanent damage to the device. These are stress ratings only, and functional operation of the device at these or any other conditions beyond those indicated in the operational sections of the specifications is not implied. Exposure to absolute maximum rating conditions for extended periods may affect device reliability.

## ELECTRICAL CHARACTERISTICS

(V<sub>RS+</sub> = 0 to +28V, V<sub>CC</sub> = +3V to +28V, V<sub>SENSE</sub> = 0, T<sub>A</sub> = T<sub>MIN</sub> to T<sub>MAX</sub>, R<sub>LOAD</sub> = ∞ unless otherwise noted. Typical values are at T<sub>A</sub> = +25°C.) (Note 1)

PARAMETER	SYMBOL	CONDITIONS	MIN	TYP	MAX	UNITS
Operating Voltage Range	V <sub>CC</sub>	Guaranteed by PSR test	3		28	V
Common-Mode Input Range	V <sub>CMR</sub>	(Note 2)	0		28	V
Common-Mode Rejection	CMR	V <sub>RS+</sub> > +2.0V		90		dB
Supply Current	I <sub>CC</sub>	V <sub>RS+</sub> > +2.0V, V <sub>CC</sub> = 12V		0.42	1.0	mA
Leakage Current	I <sub>RS+</sub> , I <sub>RS-</sub>	V <sub>CC</sub> = 0		0.3	3	µA
Input Bias Current	I <sub>RS+</sub>	V <sub>RS+</sub> > +2.0V	0		50	µA
		V <sub>RS+</sub> ≤ +2.0V	-350		50	
	I <sub>RS-</sub>	V <sub>RS+</sub> > +2.0V	0		100	
		V <sub>RS+</sub> ≤ +2.0V	-700		100	
Full-Scale Sense Voltage	V <sub>SENSE</sub>	V <sub>SENSE</sub> = V <sub>RS+</sub> - V <sub>RS-</sub>		150		mV
Total OUT Voltage Error (Note 3)		V <sub>SENSE</sub> = +100mV, V <sub>CC</sub> = +12V, V <sub>RS+</sub> = +12V		±0.5	5.75	%
		V <sub>SENSE</sub> = +100mV, V <sub>CC</sub> = +12V, V <sub>RS+</sub> = +12V, T <sub>A</sub> = +25°C		0.5	3.25	
		V <sub>SENSE</sub> = +100mV, V <sub>CC</sub> = +28V, V <sub>RS+</sub> = +28V		0.5	5.75	
		V <sub>SENSE</sub> = +100mV, V <sub>CC</sub> = +12V, V <sub>RS+</sub> = +0.1V		-9	±24	
		V <sub>CC</sub> = +12V, V <sub>RS+</sub> = +12V, V <sub>SENSE</sub> = +6.25mV (Note 4)		±7.5		
OUT High Voltage (Note 5)	(V <sub>CC</sub> - V <sub>OH</sub> )	MAX4173T, V <sub>CC</sub> = +3.0V		0.8	1.2	V
		MAX4173F, V <sub>CC</sub> = +7.5V		0.8	1.2	
		MAX4173H, V <sub>CC</sub> = +15V		0.8	1.2	

# Low-Cost, SOT23, Voltage-Output, High-Side Current-Sense Amplifier

MAX4173T/F/H

## ELECTRICAL CHARACTERISTICS (continued)

( $V_{RS+} = 0$  to  $+28V$ ,  $V_{CC} = +3V$  to  $+28V$ ,  $V_{SENSE} = 0$ ,  $T_A = T_{MIN}$  to  $T_{MAX}$ ,  $R_{LOAD} = \infty$  unless otherwise noted. Typical values are at  $T_A = +25^\circ C$ .) (Note 1)

PARAMETER	SYMBOL	CONDITIONS		MIN	TYP	MAX	UNITS	
Bandwidth	BW	$V_{RS+} = +12V$ , $V_{CC} = +12V$ , $C_{LOAD} = 5pF$	MAX4173T, $V_{SENSE} = +100mV$ ,		1.7		MHz	
			MAX4173F, $V_{SENSE} = +100mV$ ,		1.4			
			MAX4173H, $V_{SENSE} = +100mV$ ,		1.2			
			$V_{SENSE} = +6.25mV$ , (Note 4)		0.6			
Gain	$A_V$	MAX4173T			20		V/V	
		MAX4173F			50			
		MAX4173H			100			
Gain Accuracy	$\Delta A_V$	MAX4173T/F $V_{SENSE} = +10mV$ to $+150mV$	$T_A = -40^\circ C$ to $+85^\circ C$			4.0	%	
			$T_A = +25^\circ C$		0.5	$\pm 2.5$		
		MAX4173H $V_{SENSE} = +10mV$ to $+100mV$	$T_A = -40^\circ C$ to $+85^\circ C$					4.0
			$T_A = +25^\circ C$		0.5	$\pm 2.5$		
OUT Settling Time to 1% of Final Value		$V_{CC} = +12V$ , $V_{RS+} = +12V$ , $C_{LOAD} = 5pF$	$V_{SENSE} = +6.25mV$ to $+100mV$		400		ns	
			$V_{SENSE} = +100mV$ to $+6.25mV$		800			
OUT Output Resistance	$R_{OUT}$				12		$k\Omega$	
Power-Supply Rejection	PSR	MAX4173T, $V_{SENSE} = 80mV$ , $V_{RS+} \geq +2V$		60	84		dB	
		MAX4173F, $V_{SENSE} = 32mV$ , $V_{RS+} \geq +2V$		60	91			
		MAX4173H, $V_{SENSE} = 16mV$ , $V_{RS+} \geq +2V$		60	95			
Power-Up Time to 1% of Final Value		$V_{SENSE} = +100mV$ , $C_{LOAD} = 5pF$			10		$\mu s$	
Saturation Recovery Time		$V_{CC} = +12V$ , $V_{RS+} = +12V$ (Note 6)			10		$\mu s$	

**Note 1:** All devices are 100% production tested at  $T_A = +25^\circ C$ . All temperature limits are guaranteed by design.

**Note 2:** Guaranteed by Total Output Voltage Error Test.

**Note 3:** Total OUT Voltage Error is the sum of gain and offset voltage errors.

**Note 4:**  $+6.25mV = 1/16$  of  $+100mV$  full-scale voltage.

**Note 5:**  $V_{SENSE}$  such that output stage is in saturation.

**Note 6:** The device does not experience phase reversal when overdriven.

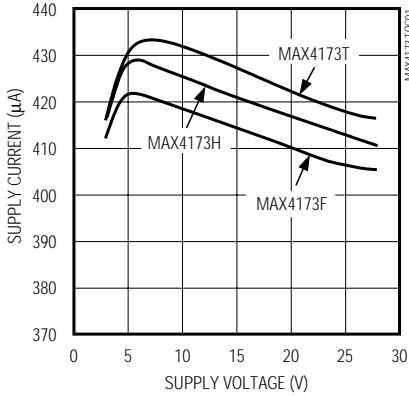
# Low-Cost, SOT23, Voltage-Output, High-Side Current-Sense Amplifier

MAX4173T/F/H

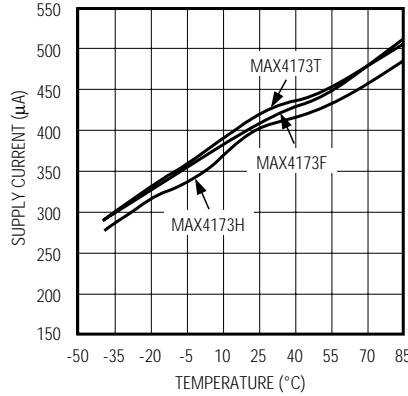
## Typical Operating Characteristics

( $V_{CC} = +12V$ ,  $V_{RS+} = +12V$ ,  $V_{SENSE} = +100mV$ ,  $T_A = +25^{\circ}C$ , unless otherwise noted.)

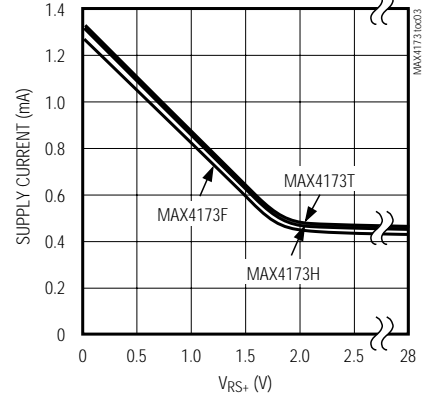
**SUPPLY CURRENT vs. SUPPLY VOLTAGE**



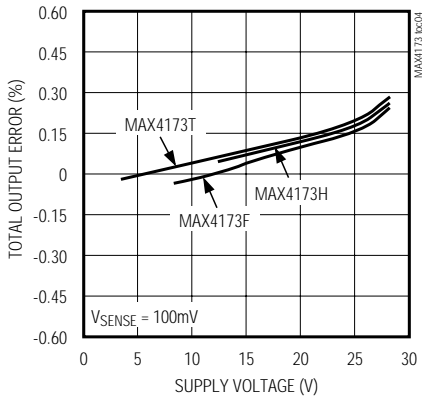
**SUPPLY CURRENT vs. TEMPERATURE**



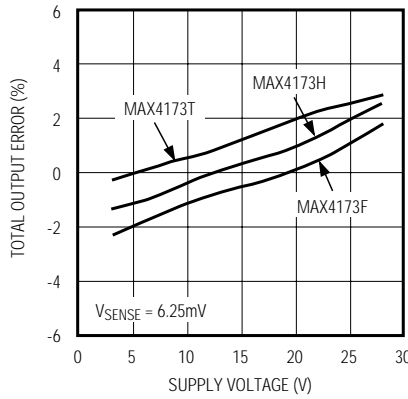
**SUPPLY CURRENT vs. RS+ VOLTAGE**



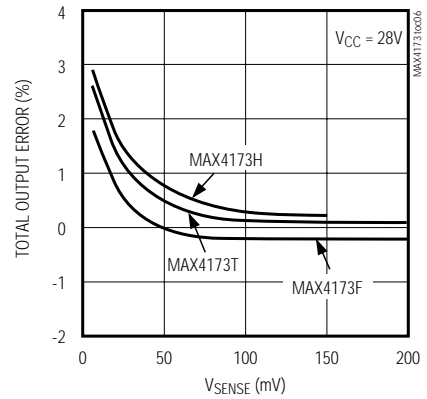
**TOTAL OUTPUT ERROR vs. SUPPLY VOLTAGE**



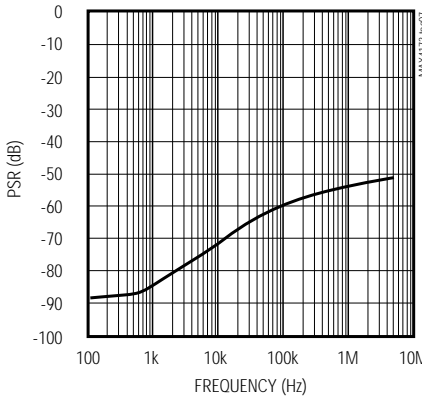
**TOTAL OUTPUT ERROR vs. SUPPLY VOLTAGE**



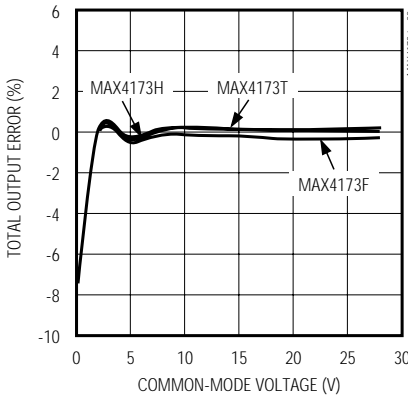
**TOTAL OUTPUT ERROR vs. FULL-SCALE SENSE VOLTAGE**



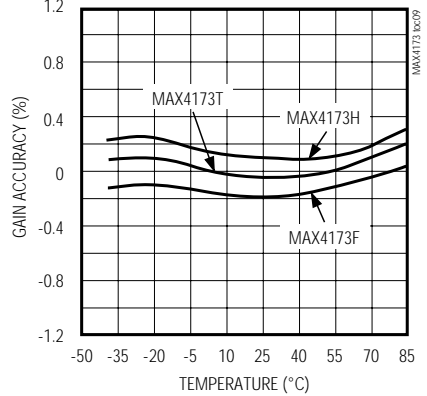
**POWER-SUPPLY REJECTION vs. FREQUENCY**



**TOTAL OUTPUT ERROR vs. COMMON-MODE VOLTAGE**



**GAIN ACCURACY vs. TEMPERATURE**

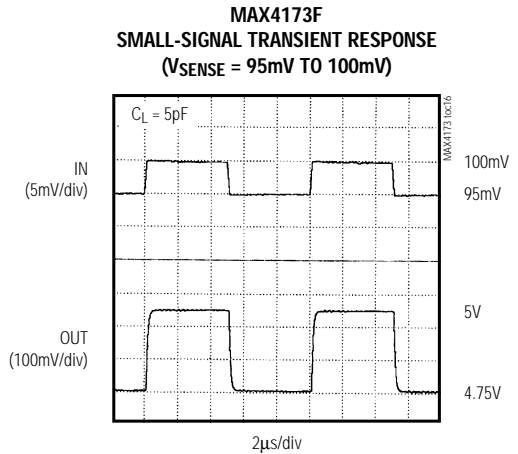
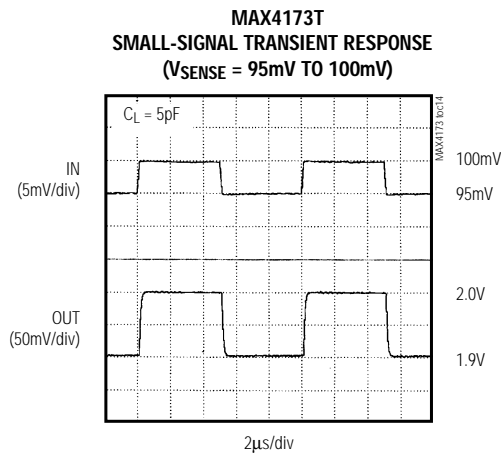
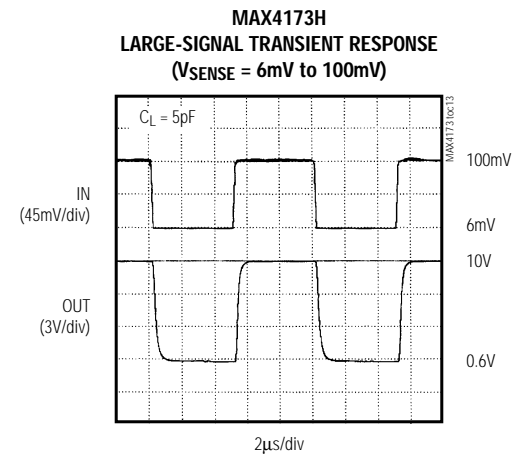
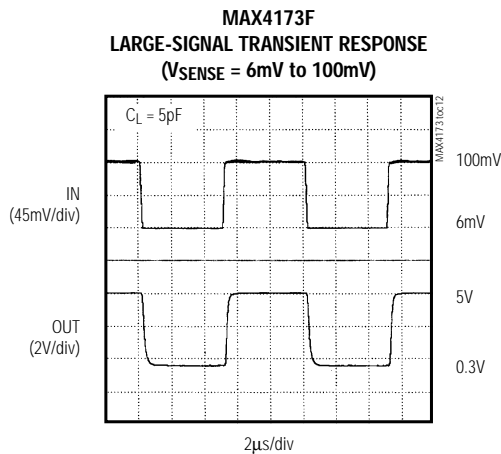
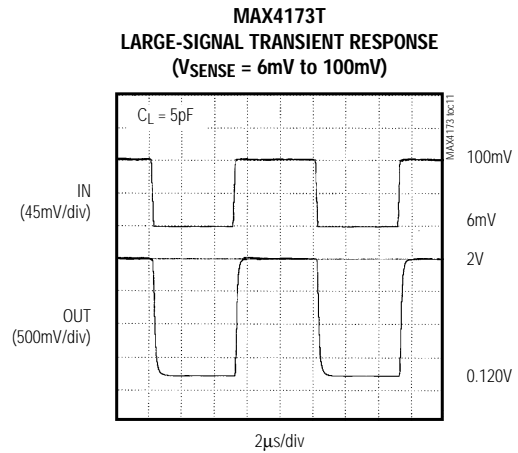
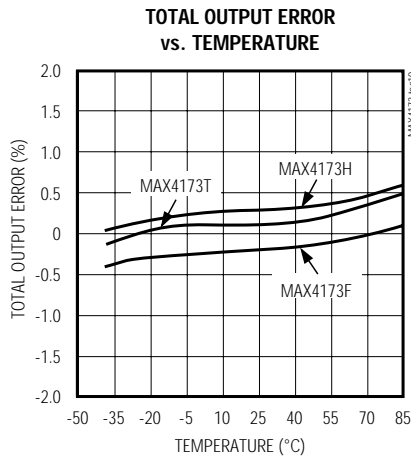


# Low-Cost, SOT23, Voltage-Output, High-Side Current-Sense Amplifier

MAX4173T/F/H

## Typical Operating Characteristics (continued)

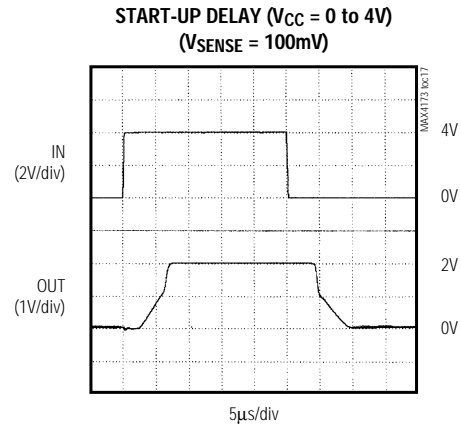
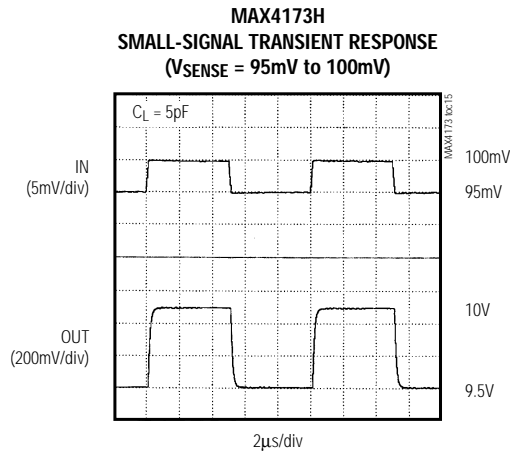
( $V_{CC} = +12V$ ,  $V_{RS+} = +12V$ ,  $V_{SENSE} = +100mV$ ,  $T_A = +25^{\circ}C$ , unless otherwise noted.)



# Low-Cost, SOT23, Voltage-Output, High-Side Current-Sense Amplifier

## Typical Operating Characteristics (continued)

( $V_{CC} = +12V$ ,  $V_{RS+} = +12V$ ,  $V_{SENSE} = +100mV$ ,  $T_A = +25^{\circ}C$ , unless otherwise noted.)



## Pin Description

PIN		NAME	FUNCTION
SOT23-6	SO		
1, 2	3	GND	Ground
3	1	$V_{CC}$	Supply Voltage Input. Bypass to GND with a $0.1\mu F$ capacitor.
4	8	$RS+$	Power-Side Connection to the External Sense Resistor
5	6	$RS-$	Load-Side Connection for the External Sense Resistor
6	4	OUT	Voltage Output. $V_{OUT}$ is proportional to $V_{SENSE}$ ( $V_{RS+} - V_{RS-}$ ). Output impedance is approximately $12k\Omega$ .
-	2, 5, 7	N.C.	No Connection. Not internally connected.

# Low-Cost, SOT23, Voltage-Output, High-Side Current-Sense Amplifier

MAX4173T/F/H

## Detailed Description

The MAX4173 high-side current-sense amplifier features a 0 to +28V input common-mode range that is independent of supply voltage. This feature allows the monitoring of current out of a battery in deep discharge and also enables high-side current sensing at voltages greater than the supply voltage ( $V_{CC}$ ).

The MAX4173 operates as follows: Current from the source flows through  $R_{SENSE}$  to the load (Figure 1). Since the internal-sense amplifier's inverting input has high impedance, negligible current flows through  $R_{G2}$  (neglecting the input bias current). Therefore, the sense amplifier's inverting-input voltage equals  $V_{SOURCE} - (I_{LOAD})(R_{SENSE})$ . The amplifier's open-loop gain forces its noninverting input to the same voltage as the inverting input. Therefore, the drop across  $R_{G1}$  equals  $(I_{LOAD})(R_{SENSE})$ . Since  $I_{RG1}$  flows through  $R_{G1}$ ,  $I_{RG1} = (I_{LOAD})(R_{SENSE}) / R_{G1}$ . The internal current mirror multiplies  $I_{RG1}$  by a current gain factor,  $\beta$ , to give  $I_{RGD} = \beta \cdot I_{RG1}$ . Solving  $I_{RGD} = \beta \cdot (I_{LOAD})(R_{SENSE}) / R_{G1}$ . Assuming infinite output impedance,  $V_{OUT} = (I_{RGD})(R_{GD})$ . Substituting in for  $I_{RGD}$  and rearranging,  $V_{OUT} = \beta \cdot (R_{GD} / R_{G1})(R_{SENSE} \cdot I_{LOAD})$ . The parts gain equals  $\beta \cdot R_{GD} / R_{G1}$ . Therefore,  $V_{OUT} = (GAIN)(R_{SENSE})(I_{LOAD})$ , where  $GAIN = 20$  for MAX4173T,  $GAIN = 50$  for MAX4173F, and  $GAIN = 100$  for MAX4173H.

Set the full-scale output range by selecting  $R_{SENSE}$  and the appropriate gain version of the MAX4173.

## Applications Information

### Recommended Component Values

The MAX4173 senses a wide variety of currents with different sense resistor values. Table 1 lists common resistor values for typical operation of the MAX4173.

### Choosing $R_{SENSE}$

To measure lower currents more accurately, use a high value for  $R_{SENSE}$ . The high value develops a higher sense voltage that reduces offset voltage errors of the internal op amp.

In applications monitoring very high currents,  $R_{SENSE}$  must be able to dissipate the  $I^2R$  losses. If the resistor's rated power dissipation is exceeded, its value may drift or it may fail altogether, causing a differential voltage across the terminals in excess of the absolute maximum ratings.

If  $I_{SENSE}$  has a large high-frequency component, minimize the inductance of  $R_{SENSE}$ . Wire-wound resistors have the highest inductance, metal-film resistors are somewhat better, and low-inductance metal-film resistors are best suited for these applications.

### Using a PCB Trace as $R_{SENSE}$

If the cost of  $R_{SENSE}$  is an issue and accuracy is not critical, use the alternative solution shown in Figure 2. This solution uses copper PCB board traces to create a sense resistor. The resistivity of a 0.1-inch-wide trace of 2-ounce copper is approximately  $30\text{m}\Omega/\text{ft}$ . The resistance-temperature coefficient of copper is fairly high (approximately  $0.4\%/^{\circ}\text{C}$ ), so systems that experience a wide temperature variance must compensate for this effect. In addition, do not exceed the maximum power dissipation of the copper trace.

For example, the MAX4173T (with a maximum load current of 10A and an  $R_{SENSE}$  of  $5\text{m}\Omega$ ) creates a full-scale  $V_{SENSE}$  of 50mV that yields a maximum  $V_{OUT}$  of 1V.  $R_{SENSE}$  in this case requires about 2 inches of 0.1 inch-wide copper trace.

### Output Impedance

The output of the MAX4173 is a current source driving a  $12\text{k}\Omega$  resistance. Resistive loading added to OUT reduces the output gain of the MAX4173. To minimize output errors for most applications, connect OUT to a high-impedance input stage. When output buffering is required, choose an op amp with a common-mode input range and an output voltage swing that includes ground when operating with a single supply. The op

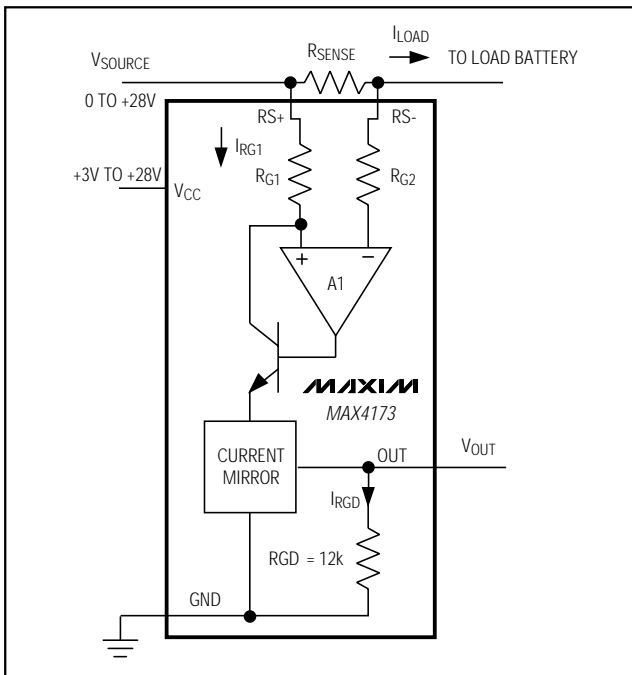


Figure 1. Functional Diagram

MAX4173T/F/H

# Low-Cost, SOT23, Voltage-Output, High-Side Current-Sense Amplifier

**Table 1. Recommended Component Values**

FULL-SCALE LOAD CURRENT $I_{LOAD}$ (A)	CURRENT-SENSE RESISTOR $R_{SENSE}$ (m $\Omega$ )	GAIN	FULL-SCALE OUTPUT VOLTAGE (FULL-SCALE $V_{SENSE} = 100mV$ ) $V_{OUT}$ (V)
0.1	1000	20	2.0
		50	5.0
		100	10.0
1	100	20	2.0
		50	5.0
		100	10.0
5	20	20	2.0
		50	5.0
		100	10.0
10	10	20	2.0
		50	5.0
		100	10.0

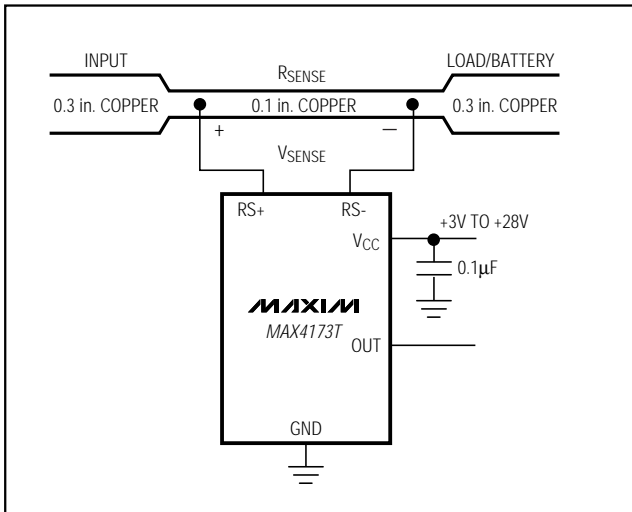


Figure 2. MAX4173 Connections Showing Use of PC Board

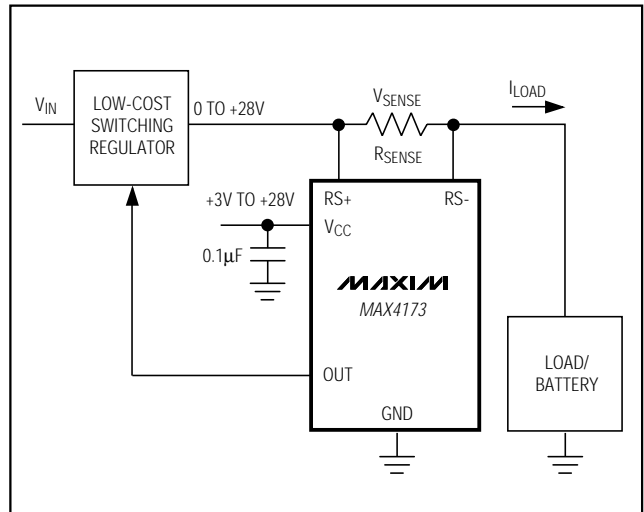


Figure 3. Current Source

amp's supply voltage range should be at least as high as any voltage the system may encounter.

The percent error introduced by output loading is determined with the following formula:

$$\%ERROR = 100 \left( \frac{R_{LOAD}}{12k\Omega + R_{LOAD}} - 1 \right)$$

where  $R_{LOAD}$  is the external load applied to OUT.

### Current Source Circuit

Figure 3 shows a block diagram using the MAX4173 with a switching regulator to make a current source.



# Low-Cost, SOT23, Voltage-Output, High-Side Current-Sense Amplifier

## Pin Configurations



MAX4173T/E/H

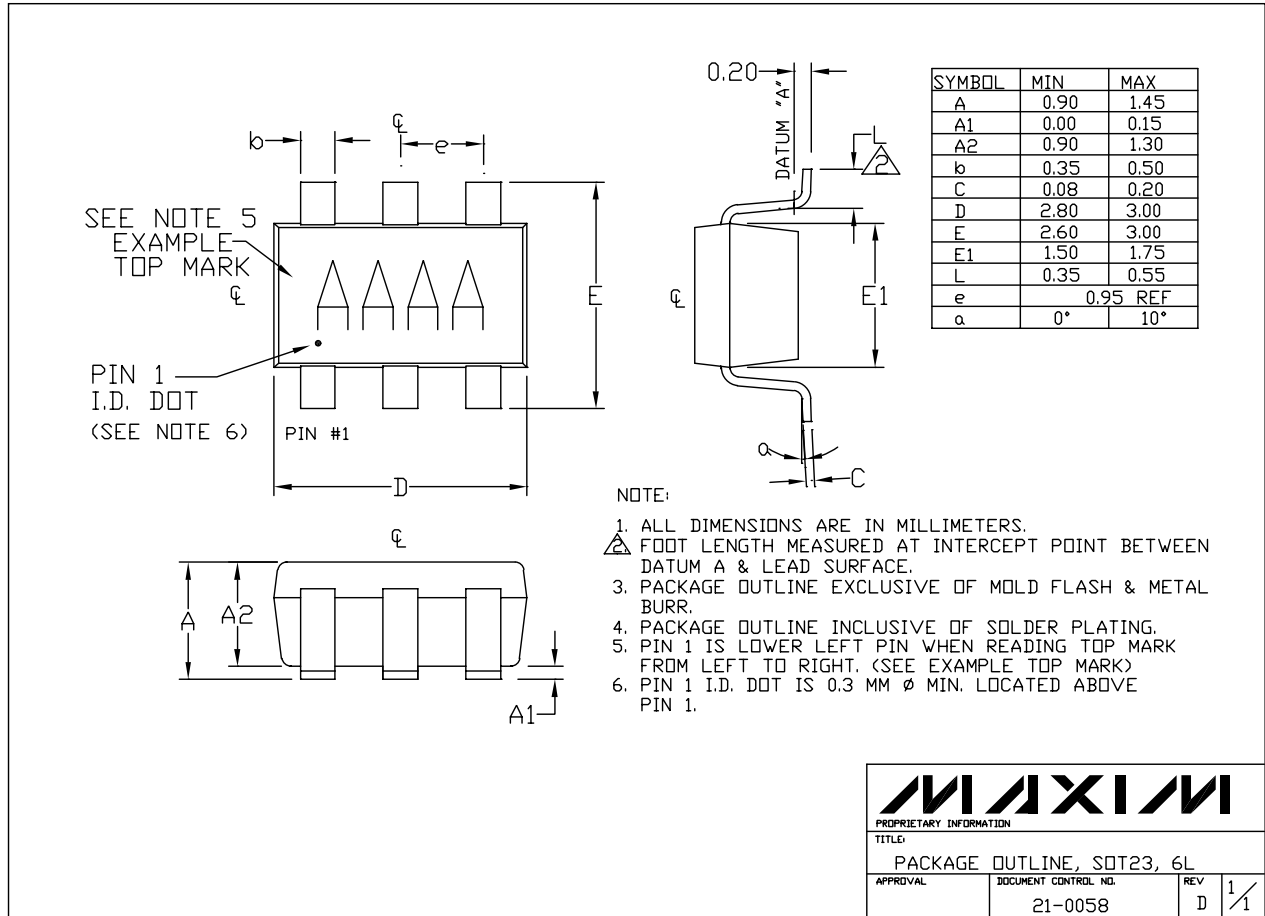
## Chip Information

TRANSISTOR COUNT: 187

# Low-Cost, SOT23, Voltage-Output, High-Side Current-Sense Amplifier

## Package Information

MAX4173T/F/H



6LSOT.EPS

**MAXIM**

PROPRIETARY INFORMATION

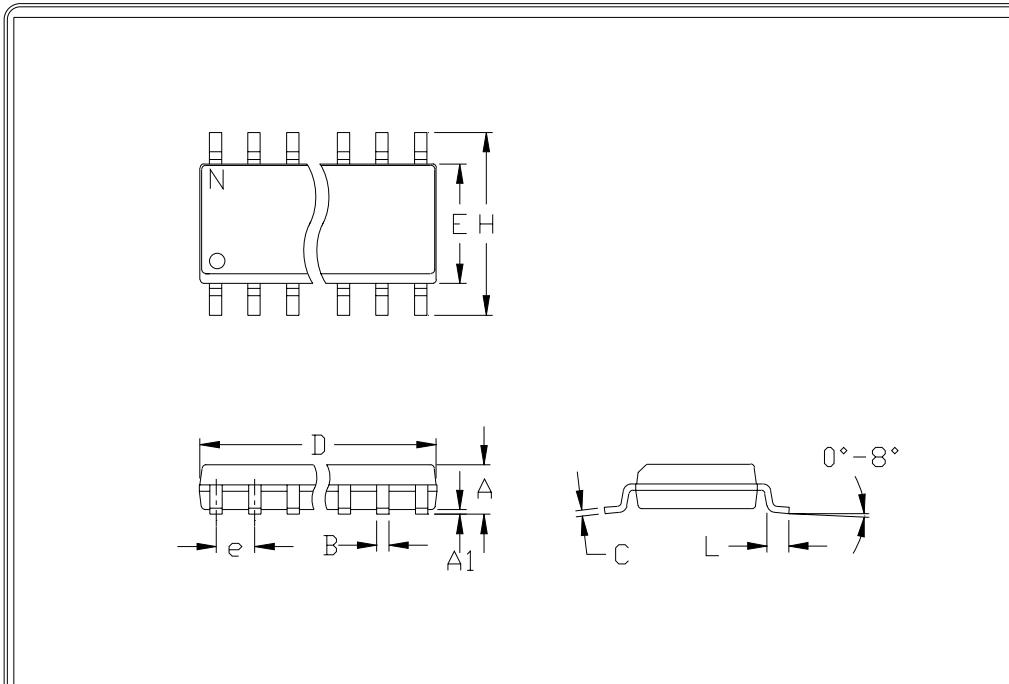
TITLE:  
PACKAGE OUTLINE, SOT23, 6L

APPROVAL	DOCUMENT CONTROL NO. 21-0058	REV D	1/1
----------	---------------------------------	----------	-----

# Low-Cost, SOT23, Voltage-Output, High-Side Current-Sense Amplifier

Package Information (continued)

MAX4173T/E/H



	INCHES		MILLIMETERS	
	MIN	MAX	MIN	MAX
A	0.053	0.069	1.35	1.75
A1	0.004	0.010	0.10	0.25
B	0.014	0.019	0.35	0.49
C	0.007	0.010	0.19	0.25
e	0.050		1.27	
E	0.150	0.157	3.80	4.00
H	0.228	0.244	5.80	6.20
h	0.010	0.020	0.25	0.50
L	0.016	0.050	0.40	1.27

	INCHES		MILLIMETERS		N	MS012
	MIN	MAX	MIN	MAX		
D	0.189	0.197	4.80	5.00	8	A
D	0.337	0.344	8.55	8.75	14	B
D	0.386	0.394	9.80	10.00	16	C

NOTES:

1. D&E DO NOT INCLUDE MOLD FLASH
2. MOLD FLASH OR PROTRUSIONS NOT TO EXCEED .15mm (.006")
3. LEADS TO BE COPLANAR WITHIN .102mm (.004")
4. CONTROLLING DIMENSION: MILLIMETER
5. MEETS JEDEC MS012-XX AS SHOWN IN ABOVE TABLE
6. N = NUMBER OF PINS

 <small>120 SAN GABRIEL DR. SUNNYVALE CA 94086 FAX (408) 737 7594</small> <small>PROPRIETARY INFORMATION</small>	PACKAGE FAMILY OUTLINE: SOIC .150"	$\frac{1}{1}$	21-0041 A
	TITLE		

# Low-Cost, SOT23, Voltage-Output, High-Side Current-Sense Amplifier

MAX4173T/F/H

## NOTES

*Maxim cannot assume responsibility for use of any circuitry other than circuitry entirely embodied in a Maxim product. No circuit patent licenses are implied. Maxim reserves the right to change the circuitry and specifications without notice at any time.*

**12** \_\_\_\_\_ Maxim Integrated Products, 120 San Gabriel Drive, Sunnyvale, CA 94086 408-737-7600

© 1999 Maxim Integrated Products

Printed USA

**MAXIM**

is a registered trademark of Maxim Integrated Products.

SUNSTAR商斯达实业集团是集研发、生产、工程、销售、代理经销、技术咨询、信息服务等为一体的高科技企业，是专业高科技电子产品生产厂家，是具有 10 多年历史的专业电子元器件供应商，是中国最早和最大的仓储式连锁规模经营大型综合电子零部件代理分销商之一，是一家专业代理和分销世界各大品牌 IC 芯片和电子元器件的连锁经营综合性国际公司。在香港、北京、深圳、上海、西安、成都等全国主要电子市场设有直属分公司和产品展示展销窗口门市部专卖店及代理分销商，已在全国范围内建成强大统一的供货和代理分销网络。我们专业代理经销、开发生产电子元器件、集成电路、传感器、微波光电元器件、工控机/DOC/DOM 电子盘、专用电路、单片机开发、MCU/DSP/ARM/FPGA 软件硬件、二极管、三极管、模块等，是您可靠的一站式现货配套供应商、方案提供商、部件功能模块开发配套商。专业以现代信息产业（计算机、通讯及传感器）三大支柱之一的传感器为主营业务，专业经营各类传感器的代理、销售生产、网络信息、科技图书资料及配套产品设计、工程开发。我们的专业网站——中国传感器科技信息网（全球传感器数据库）[www.SENSOR-IC.COM](http://www.SENSOR-IC.COM) 服务于全球高科技生产商及贸易商，为企业科技产品开发提供技术交流平台。欢迎各厂商互通有无、交换信息、交换链接、发布寻求代理信息。欢迎国外高科技传感器、变送器、执行器、自动控制产品厂商介绍产品到中国，共同开拓市场。本网站是关于各种传感器-变送器-仪器仪表及工业自动化大型专业网站，深入到工业控制、系统工程计 测量、自动化、安防报警、消费电子等众多领域，把最新的传感器-变送器-仪器仪表买卖信息，最新技术供求，最新采购商，行业动态，发展方向，最新的技术应用和市场资讯及时的传递给广大科技开发、科学研究、产品设计人员。本网站已成功为石油、化工、电力、医药、生物、航空、航天、国防、能源、冶金、电子、工业、农业、交通、汽车、矿山、煤炭、纺织、信息、通信、IT、安防、环保、印刷、科研、气象、仪器仪表等领域从事科学研究、产品设计、开发、生产制造的科技人员、管理人员、和采购人员提供满意服务。我公司专业生产、代理、经销、销售各种传感器、变送器、敏感元器件、开关、执行器、仪器仪表、自动化控制系统：专业从事设计、生产、销售各种传感器、变送器、各种测控仪表、热工仪表、现场控制器、计算机控制系统、数据采集系统、各类环境监控系统、专用控制系统应用软件以及嵌入式系统开发及应用等工作。如热敏电阻、压敏电阻、温度传感器、温度变送器、湿度传感器、湿度变送器、气体传感器、气体变送器、压力传感器、压力变送、称重传感器、物（液）位传感器、物（液）位变送器、流量传感器、流量变送器、电流（压）传感器、溶氧传感器、霍尔传感器、图像传感器、超声波传感器、位移传感器、速度传感器、加速度传感器、扭距传感器、红外传感器、紫外传感器、火焰传感器、激光传感器、振动传感器、轴角传感器、光电传感器、接近传感器、干簧管传感器、继电器传感器、微型电泵、磁敏（阻）传感器、压力开关、接近开关、光电开关、色标传感器、光纤传感器、齿轮测速传感器、时间继电器、计数器、计米器、温控仪、固态继电器、调压模块、电磁铁、电压表、电流表等特殊传感器。同时承接传感器应用电路、产品设计和自动化工程项目。

更多产品请看本公司产品专用销售网站：

商斯达中国传感器科技信息网：<http://www.sensor-ic.com/>

商斯达工控安防网：<http://www.pc-ps.net/>

商斯达电子元器件网：<http://www.sunstare.com/>

商斯达微波光电产品网：[HTTP://www.rfoe.net/](http://www.rfoe.net/)

商斯达消费电子产品网：<http://www.icasic.com/>

商斯达军工产品网：<http://www.junpinic.com/>

商斯达实业科技产品网：<http://www.sunstars.cn/> 传感器销售热线：

地址：深圳市福田区福华路福庆街鸿图大厦 1602 室

电话：0755-83607652 83376489 83376549 83370250 83370251 82500323

传真：0755-83376182 (0) 13902971329 MSN: [SUNS888@hotmail.com](mailto:SUNS888@hotmail.com)

邮编：518033 E-mail: [szss20@163.com](mailto:szss20@163.com) QQ: 195847376

深圳赛格展销部：深圳华强北路赛格电子市场 2583 号 电话：0755-83665529 25059422

技术支持：0755-83394033 13501568376

欢迎索取免费详细资料、设计指南和光盘；产品凡多，未能尽录，欢迎来电查询。

北京分公司：北京海淀区知春路 132 号中发电子大厦 3097 号

TEL: 010-81159046 82615020 13501189838 FAX: 010-62543996

上海分公司：上海市北京东路 668 号上海赛格电子市场 D125 号

TEL: 021-28311762 56703037 13701955389 FAX: 021-56703037

西安分公司：西安高新开发区 20 所(中国电子科技集团导航技术研究所)

西安劳动南路 88 号电子商城二楼 D23 号

TEL: 029-81022619 13072977981 FAX:029-88789382