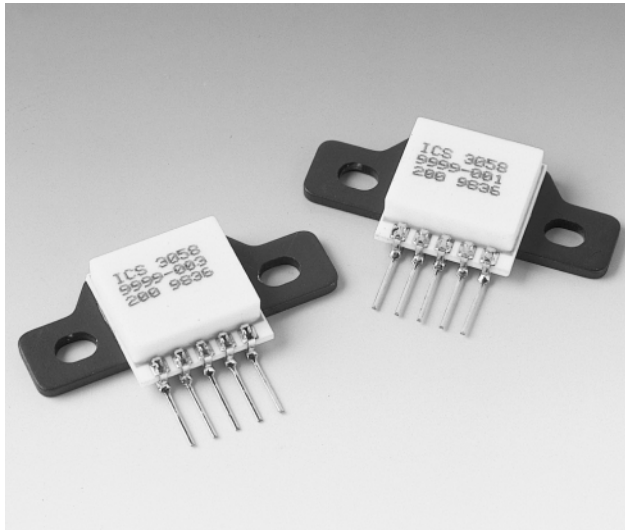


**PC Board Mountable Accelerometer**  
**Millivolt Output**  
**Integral Temperature Compensation**

- ▶ Vibration/Shock Monitoring
- ▶ Modal Analysis
- ▶ Motion Control
- ▶ Crash Testing
- ▶ Aerospace



**DESCRIPTION**

The Model 3058 is a piezoresistive silicon accelerometer with integral temperature compensation. It is packaged on a ceramic substrate with a metal bracket which can be used to bolt the sensor to the mounting location.

The accelerometer consists of a micro machined silicon mass suspended by multiple beams from a silicon frame. Piezoresistors located in the beams change their resistance as the motion of the suspended mass changes the strain in the beams. Silicon caps on the top and bottom of the device are added to provide over-range stops. This design provides for a very low profile, high shock resistance, durability and built-in damping over a wide usable bandwidth. Each sensor is individually serialized.

For an accelerometer designed for adhesive mounting, see the Model 3052. For uncompensated accelerometers, please refer to the Models 3022 and 3028.

**FEATURES**

- ▶ Adhesive Mount
- ▶ ±0.5% Non-linearity (typical)
- ▶ ±1.0% Temperature Performance (typical)
- ▶ DC Response
- ▶ Built-in Damping
- ▶ Built-in Overrange Stops
- ▶ Low Power

**STANDARD RANGES**

Range	g	Range	g
±2	●	±20	●
±5	●	±50	●
±10	●	±100	●

CALIBRATION DATA

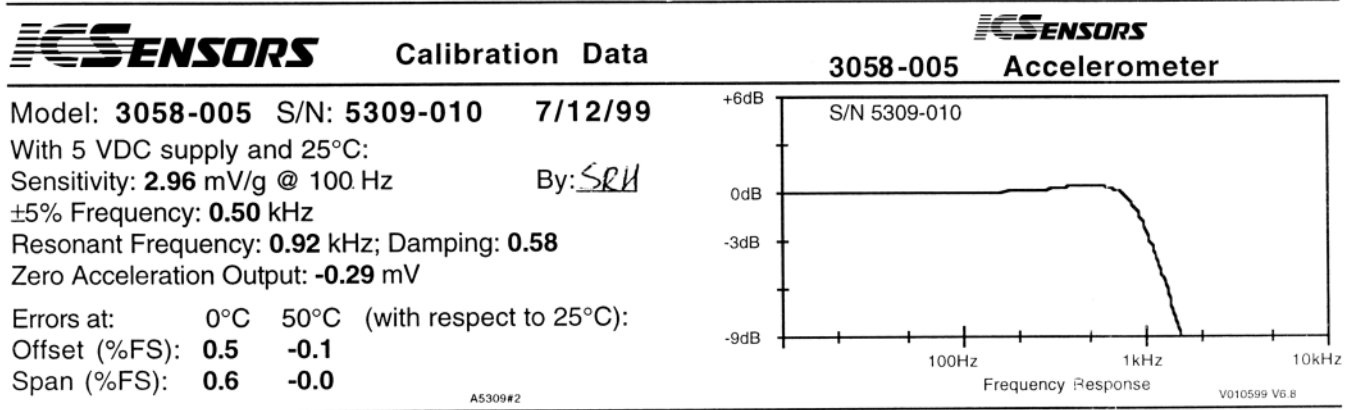
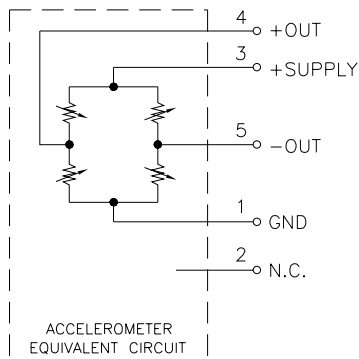
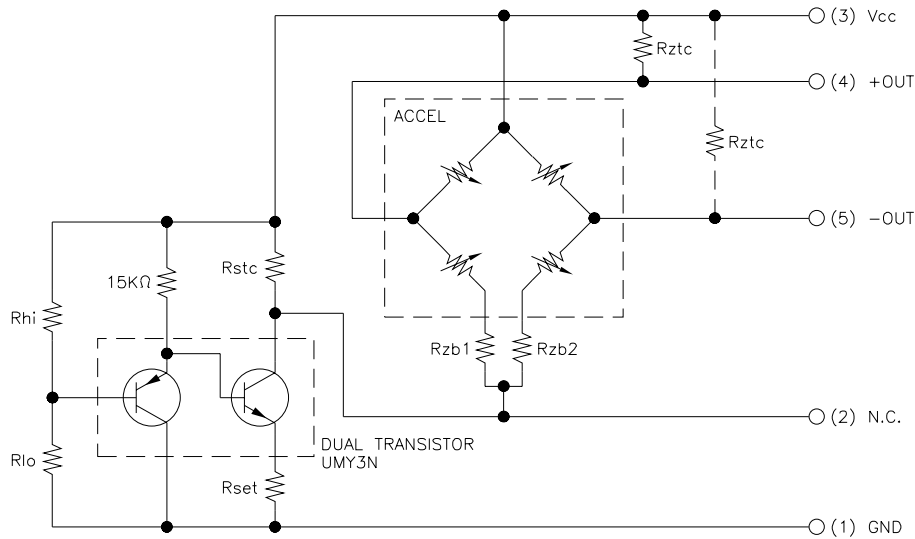


Figure 1. Calibration Data Sheet

A calibration data sheet similar to the sample shown above is included with each unit. The calibration sheet provides the measured test and calibration data for the sensor.

CONNECTIONS



PIN NUMBER	FUNCTION
1	GROUND
2	ICS USE ONLY
3	SUPPLY
4	-OUTPUT
5	+OUTPUT

RESISTOR	FUNCTION	OHMS
R1	Rzb	10 - 50
R2	Rset	250 - 350
R3	Rlo	800 - 1250
R5	Rhi	7.5K - 50K
R6	Rstc	3K - 99K
R7	Rztc	0.15M - 4M

## PERFORMANCE SPECIFICATIONS

Supply Voltage: 5.0 VDC

Ambient Temperature: 25°C (Unless otherwise specified)

PARAMETERS	RANGE			UNITS	NOTES
	±2g	±5g	±10g		
Frequency Response [MIN]	0-250	0-300	0-400	Hz	1, 2
Mounted Resonant Frequency [MIN]	700	800	1000	Hz	1
Sensitivity (MIN/MAX)	6.0/9.0	2.4/3.6	1.2/1.8	mV/g	1, 3

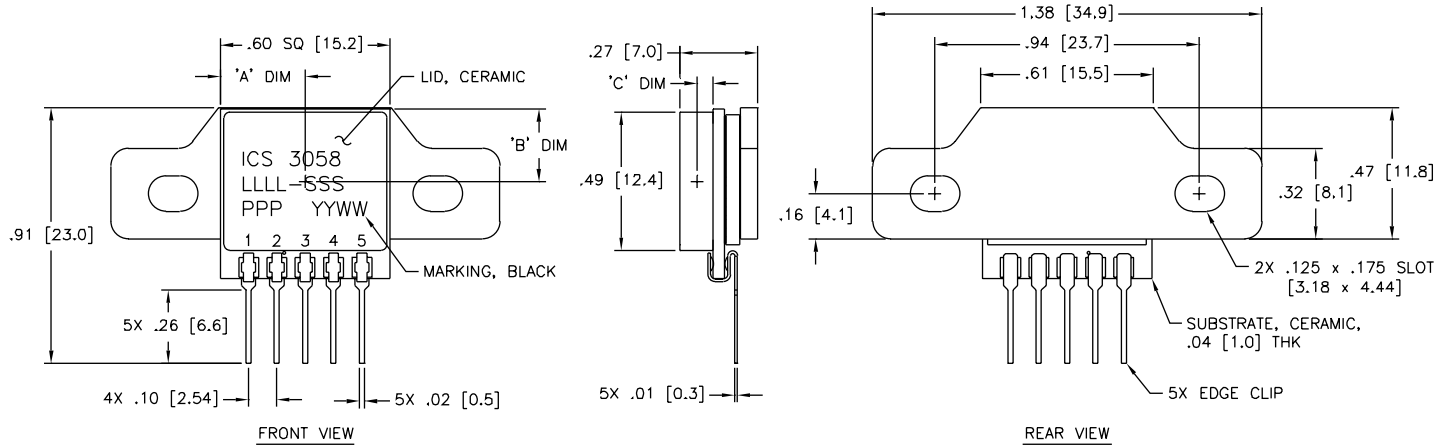
PARAMETERS	RANGE			UNITS	NOTES
	±20g	±50g	±100g		
Frequency Response [MIN]	0-600	0-1000	0-1500	Hz	1, 2
Mounted Resonant Frequency [MIN]	1500	2000	3000	Hz	1, 4
Sensitivity (MIN/MAX)	0.6/0.9	0.24/0.36	0.12/0.18	mV/g	1, 3

PARAMETERS	MIN	TYP	MAX	UNITS	NOTES
Zero Acceleration Output		1	2	±mV	1
Damping Ratio	0.4	0.7	0.9		1, 4
Non-linearity		0.5	1	±% Span	5
Transverse Sensitivity		1	3	±% Span	
Output Resistance	2.5	3.5	6.5	kΩ	
Temperature error - Sensitivity		1.0	2.0	±% Span	1, 6
Temperature error - Zero		1.0	2.0	±% Span	1, 6
Supply Voltage		5.0	10.0	VDC	
Current		1.5		mA	
Output Noise		1.0		μV p-p	
Output Load Resistance	5			MΩ	7
Acceleration Limits (Any Direction)		20X		Rated	8
Operating Temperature	-40°C to +125°C				
Compensated Temperature Range	0°C to +50°C				
Storage Temperature	-55°C to +150°C				
Weight	6.5 Grams				

## Notes

- Actual test data for this parameter is included on the calibration sheet included with each sensor. A sample of this calibration sheet is shown as Figure 1.
- The useful frequency range is defined as the range of frequencies over which the device sensitivity is within ±5% of the DC value.
- Positive voltage change for positive acceleration; negative voltage change for negative acceleration.
- For sensors having resonant frequency greater than 5 kHz, the calibration data sheet will indicate ">5 kHz". In addition, the damping ratio will indicate N/A.
- Best Fit Straight Line. For full scale ranges of 10g or less, the maximum non-linearity is ±2%.
- Compensated temperature range: 0°C to +50°C in reference to 25°C.
- Prevents increase of TC-Span and sensitivity decrease due to output loading.
- 400g for ±2g, ±5g and ±10g versions, 20X or 2000g, whichever is lower, for other versions.

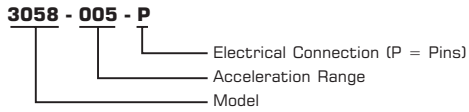
**DIMENSIONS**



ALL DIMENSIONS ARE IN INCHES [mm]

LTR	2 - 10g	20 - 500g
"A" DIM	0.300 ± 0.005 [7.62 ± 0.13]	0.265 ± 0.005 [6.73 ± 0.13]
"B" DIM	0.250 ± 0.005 [6.35 ± 0.13]	0.240 ± 0.005 [6.10 ± 0.13]
"C" DIM	0.032 ± 0.004 [0.81 ± 0.10]	0.032 ± 0.004 [0.81 ± 0.10]

**ORDERING INFORMATION**



**SUNSTAR 商斯达实业集团**是集研发、生产、工程、销售、代理经销、技术咨询、信息服务等为一体的高科技企业，是专业高科技电子产品生产厂家，是具有 10 多年历史的专业电子元器件供应商，是中国最早和最大的仓储式连锁规模经营大型综合电子零部件代理分销商之一，是一家专业代理和分销世界各大品牌 IC 芯片和电子元器件的连锁经营综合性国际公司，专业经营进口、国产名厂名牌电子元件，型号、种类齐全。在香港、北京、深圳、上海、西安、成都等全国主要电子市场设有直属分公司和产品展示展销窗口门市部专卖店及代理分销商，已在全国范围内建成强大统一的供货和代理分销网络。我们专业代理经销、开发生产电子元器件、集成电路、传感器、微波光电元器件、工控机/DOC/DOM 电子盘、专用电路、单片机开发、MCU/DSP/ARM/FPGA 软件硬件、二极管、三极管、模块等，是您可靠的一站式现货配套供应商、方案提供商、部件功能模块开发配套商。商斯达实业公司拥有庞大的资料库，有数位毕业于著名高校——有中国电子工业摇篮之称的西安电子科技大学（西军电）并长期从事国防尖端科技研究的高级工程师为您精挑细选、量身订做各种高科技电子元器件，并解决各种技术问题。

更多产品请看本公司产品专用销售网站：

商斯达中国传感器科技信息网：<http://www.sensor-ic.com/>

商斯达工控安防网：<http://www.pc-ps.net/>

商斯达电子元器件网：<http://www.sunstare.com/>

商斯达微波光电产品网：[HTTP://www.rfoe.net/](http://www.rfoe.net/)

商斯达消费电子产品网：<http://www.icasic.com/>

商斯达实业科技产品网：<http://www.sunstars.cn/>

传感器销售热线：

地址：深圳市福田区福华路福庆街鸿图大厦 1602 室

电话：0755-83370250 83376489 83376549 83607652 83370251 82500323

传真：0755-83376182 (0) 13902971329 MSN: [SUNS8888@hotmail.com](mailto:SUNS8888@hotmail.com)

邮编：518033 E-mail:[szss20@163.com](mailto:szss20@163.com) QQ: 195847376

深圳赛格展销部：深圳华强北路赛格电子市场 2583 号 电话：0755-83665529 25059422

技术支持：0755-83394033 13501568376

欢迎索取免费详细资料、设计指南和光盘；产品凡多，未能尽录，欢迎来电查询。

北京分公司：北京海淀区知春路 132 号中发电子大厦 3097 号

TEL: 010-81159046 82615020 13501189838 FAX: 010-62543996

上海分公司：上海市北京东路 668 号上海赛格电子市场 2B35 号

TEL: 021-28311762 56703037 13701955389 FAX: 021-56703037

西安分公司：西安高新开发区 20 所(中国电子科技集团导航技术研究所)

西安劳动南路 88 号电子商城二楼 D23 号

TEL: 029-81022619 13072977981 FAX:029-88789382