

Digital Force Indicator Model LC

Ranges to 50,000 lbs.

Compression Measurement

High/Low Force Capture

- Zero Offset/Tare
- NIST Statement
- Customer Recalibration
- Selectable Engineering Units
- CE Compliant
- Additional Information at:
www.dctinstruments.com/lcdata.htm

The Model LC Digital Force Indicator is a highly portable force measurement device. With its 9V battery supply and compact size the indicator can easily be carried to remote locations to perform force measurement calibrations. The unit can measure compression forces up to 50,000 lbs. The peak capture feature allows the highest force reading taken to be displayed with the push of a button. A zero/tare button is also standard on all models.

The remote location of the load sensor minimizes the chance of damage to the electronic body of the gauge. The stainless steel construction of the sensor and the indicator makes them resistant to the occasional mishandling than can occur in the field.

Optional handles are available for the load cell and gauge. See our web site for more information.



Model LC shown
with optional handle

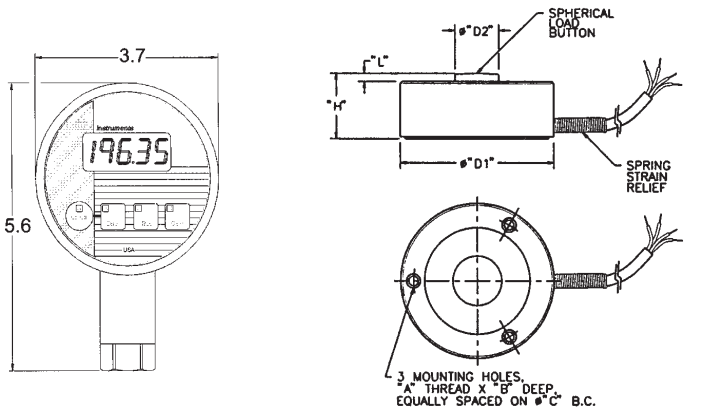
Distributed By:

DCT Instruments

DCT Instruments/Sensotec, Inc.
2080 Arlingate Lane
Columbus, Ohio 43228
www.dctinstruments.com

1-800-328-1028
Tel: 614-850-6020
Fax: 614-850-1111
E-Mail: dct@sensotec.com

DIMENSIONS



Ranges	D1"	D2"	H"	L"	A"	B"	C"
5, 10, 25, 50, 100 lbs.	1.00	.21	.62	.05	#4-40 UNC	.22	.75
250, 500, 1000, 2000 lbs.	1.25	.32	.39	.07	#6-32 UNC	.25	1.00
3000, 4000, 5000, 7500, 10,000 lbs.	1.50	.43	.63	.08	#6-32 UNC	.25	1.25
15,000, 20,000 lbs.	2.00	.60	1.00	.12	#6-32 UNC	.25	1.625

Specifications subject to change. Request certified drawing before designing mountings or fixtures.

ACCESSORIES

ACCESSORIES	ORDER CODE
PANEL MOUNTING RING	MR2
NIST CERTIFICATION (In addition to NIST Statement)	NISTCERT
STANDARD CARRYING CASE Size 3 ⁹ / ₁₆ D x 7 ¹³ / ₁₆ W x 8 ¹ / ₂ L	CC2
HANDLE	HD1



SPECIFICATIONS

Diameter:	3.7"
Repeatability:	0.2% F.S.
Range:	5-50,000 lbs.
Display:	4 1/2 digit
Power:	9V battery, 11-32, 110 VAC
Case Material:	Stainless Steel
Cell Material:	Stainless Steel
High & Low Capture:	Standard
Update Speed:	3/second (selectable to 10/second)
Zero & Span Adjustment:	Standard
Face Membrane:	Tactile feedback
Calibration Data:	Stored on memory chip
Low Battery Indication:	Standard

ORDERING INFORMATION

ORDER CODE *Sample*

SERIES LC W 100 K Z ()
LC=0.2% repeatability

POWER W=Battery Powered (9volt alkaline)
T=110 Volts AC adapter (included)
V=11 to 32 VDC (3 ft. cable)

PRESSURE RANGE (lbs.) standard
5=0-5 1K=0-1000 10K=0-10,000
10=0-10 2K=0-2000 15K=0-15,000
25=0-25 3K=0-3000 20K=0-20,000
50=0-50 4K=0-4000 30K=0-30,000
100=0-100 5K=0-5000 50K=0-50,000
250=0-250 7.5K=7500
500=0-500

REFERENCE K=Compression

ELECTRICAL CONNECTION

Z = No electrical connection
C = 3 foot cable
T = AC adapter
Call factory for availability of other electrical connections and cable lengths.

UNITS OF MEASURE (Field Selectable)

Note: lbs is standard
n = Newton
Kn = Kilonewton
g = Grams
Kg = Kilograms
Consult factory for other units of measure not listed

OPTIONAL NEMA 4 CONSTRUCTION

4 = NEMA 4

This order code is used ONLY if you want NEMA 4 rating.

Incremental Display Steps

Range (lbs)	Incremental Display Steps
0 - 1 = 1 (opt)	.001
0 - 5 = 5	.005
0 - 25 = 25	.005
0 - 50 = 50	.01
0 - 100 = 100	.02
0 - 250 = 250	.05
0 - 500 = 500	.1
0 - 1,000 = 1K	.2
0 - 2,000 = 2K	.5
0 - 3,000 = 3K	2
0 - 4,000 = 4K	2
0 - 5,000 = 5K	1
0 - 7,500 = 7.5K	2
0 - 10,000 = 10K	2
0 - 15,000 = 15K	2
0 - 20,000 = 20K	2
0 - 30,000 = 30K	Consult factory
0 - 50,000 = 50K	Consult factory

SUNSTAR 商斯达实业集团是集研发、生产、工程、销售、代理经销、技术咨询、信息服务等为一体的高科技企业，是专业高科技电子产品生产厂家，是具有 10 多年历史的专业电子元器件供应商，是中国最早和最大的仓储式连锁规模经营大型综合电子零部件代理分销商之一，是一家专业代理和分销世界各大品牌 IC 芯片和电子元器件的连锁经营综合性国际公司，专业经营进口、国产名厂名牌电子元件，型号、种类齐全。在香港、北京、深圳、上海、西安、成都等全国主要电子市场设有直属分公司和产品展示展销窗口门市部专卖店及代理分销商，已在全国范围内建成强大统一的供货和代理分销网络。我们专业代理经销、开发生产电子元器件、集成电路、传感器、微波光电元器件、工控机/DOC/DOM 电子盘、专用电路、单片机开发、MCU/DSP/ARM/FPGA 软件硬件、二极管、三极管、模块等，是您可靠的一站式现货配套供应商、方案提供商、部件功能模块开发配套商。商斯达实业公司拥有庞大的资料库，有数位毕业于著名高校——有中国电子工业摇篮之称的西安电子科技大学（西军电）并长期从事国防尖端科技研究的高级工程师为您精挑细选、量身订做各种高科技电子元器件，并解决各种技术问题。

更多产品请看本公司产品专用销售网站：

商斯达中国传感器科技信息网：<http://www.sensor-ic.com/>

商斯达工控安防网：<http://www.pc-ps.net/>

商斯达电子元器件网：<http://www.sunstare.com/>

商斯达微波光电产品网：[HTTP://www.rfoe.net/](http://www.rfoe.net/)

商斯达消费电子产品网：<http://www.icasic.com/>

商斯达实业科技产品网：<http://www.sunstars.cn/>

传感器销售热线：

地址：深圳市福田区福华路福庆街鸿图大厦 1602 室

电话：0755-83370250 83376489 83376549 83607652 83370251 82500323

传真：0755-83376182 (0) 13902971329 MSN: SUNS8888@hotmail.com

邮编：518033 E-mail:szss20@163.com QQ: 195847376

深圳赛格展销部：深圳华强北路赛格电子市场 2583 号 电话：0755-83665529 25059422

技术支持：0755-83394033 13501568376

欢迎索取免费详细资料、设计指南和光盘；产品凡多，未能尽录，欢迎来电查询。

北京分公司：北京海淀区知春路 132 号中发电子大厦 3097 号

TEL: 010-81159046 82615020 13501189838 FAX: 010-62543996

上海分公司：上海市北京东路 668 号上海赛格电子市场 2B35 号

TEL: 021-28311762 56703037 13701955389 FAX: 021-56703037

西安分公司：西安高新开发区 20 所(中国电子科技集团导航技术研究所)

西安劳动南路 88 号电子商城二楼 D23 号

TEL: 029-81022619 13072977981 FAX:029-88789382