

Accu-Gage

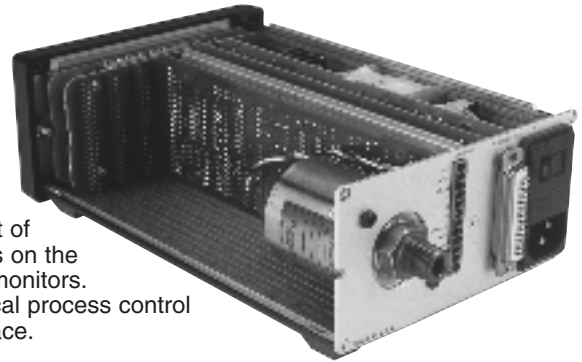
Digital Pressure Gages and Digital Pressure Indicators

TRANSDUCER WITH READOUT

HIGHLY STABLE READING

.05% F.S. ACCURACY

INSTRUMENT & TRANSDUCER
ARE N.I.S.T. TRACEABLE



This combination pressure transducer and digital readout is designed for use in both industrial and laboratory applications. ACCU-GAGE offers portability, high accuracy, industrial grade durability, and very competitive prices.

ACCU-GAGE units are also suitable for panel mounting to provide a clear readout of pressure or vacuum to machine operators on the process line or as on-line quality control monitors. They are also perfect additions to statistical process control systems, using the optional RS232 interface.

ACCU-GAGE handles even the harshest industrial environments with a metal case and handle to avoid failures caused by shock or vibration often associated with the use of plastics.

These instruments are perfect replacements for:

- Precision Dial Gages
- Mercury Columns
- Quartz Tube Barometers

ULTRA HIGH PRECISION

The ACCU-GAGE Model AG-400 was designed to provide the highest accuracy (0.05% F.S.) and overall stability available in digital pressure indicators. To achieve the high level of stability demanded by Metrology and Calibration/Standards laboratories, SENSOTEC has chosen to fit all AG-400 instruments with our dependable, high-accuracy pressure transducer. During manufacture these transducers undergo an extensive burn-in program. In addition, all ACCU-GAGE Instruments undergo individual burn-in prior to shipment, thus the AG benefits from a double burn-in at both transducer and instrument level. This truly enhances the long-term stability of the instrument enabling the AG to perform as a high integrity pressure transfer standard. Full traceability is assured to National Standards.

1-800-848-6564

Honeywell
SENSOTEC

www.honeywell.com/sensing

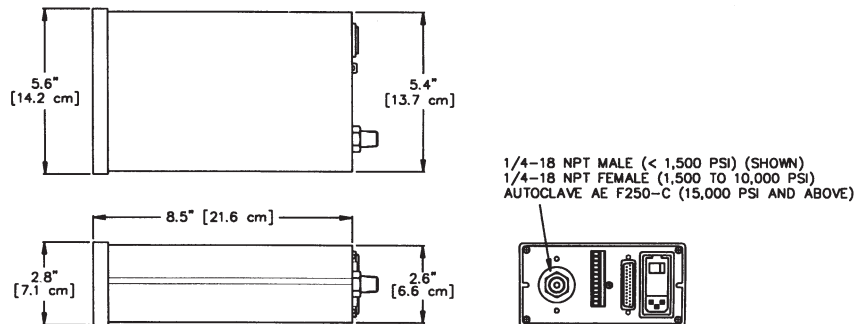
MODEL SELECTION CHART

	AG400	AG401	
STANDARD FEATURES	Order Codes	AE435 (Gage) AE436 (Absolute)	AE441 (Gage) AE442 (Absolute)
	Accuracy	0.05%	0.10%
OPTIONS	Pressure Ranges	15-15,000 psi	15-60,000 psi
		0-5V or 0-10V Output (Field Selectable) Absolute Pressure Gage Pressure Field Selectable Engineering Units Auto-Zero Tare RS-232 Interface Hi/Lo Quad Limits Peak/Hold	
GENERAL		Expanded Temp. Range (30° F to 130° F) (Option 1b) Vacuum Bench Top/Carrying Handle Panel Mounting Hardware RS-485 Interface (Option 53d) 4-20mA Output (Option 56a)	
ENVIRONMENTAL	# Channels	1	
	Case Material	Black Powder-Painted Aluminum	
AMPLIFIER CHARACTERISTICS	Case Size	3/8 DIN	
	Temperature, Storage	-20° F to 200° F	
DIGITAL DISPLAY CHARACTERISTICS	Temperature, Operating	60° F to 105° F	
	Temperature Effect004% / ° F Over Operating Range	
PHYSICAL CHARACTERISTICS	Frequency Response	2 Hz	
	Step Response	40 ms	
	# Characters Displayed	6	
	Scaling	0-999999	
	Field selectable units	psi, bar, mbar, torr, in.H ₂ O, ft.H ₂ O, in.Hg, mmHg, MPa	
	Resolution	1/50000	
	Power Requirements	100 to 230 VAC, 47 to 63 Hz	
	Limits Outputs	Open collector	
	Pressure Port (15 to 1000 psi)	1/4-18 NPT (M)	
	Pressure Port (1500 to 10,000 psi)	1/4-18 NPT (F)	
	Pressure Port (15,000 to 60,000 psi)	Autoclave AE F250-C	

Available Ranges (Gage & Absolute)

15; 25; 50; 75; 100; 200; 300; 500; 750; 1000; 1500; 2000; 3000; 5000; 7500; 10,000; 15,000, 60,000 psi

Dimensions



NOTE: Both Pressure Transducer and Instrument are in box.

SUNSTAR 商斯达实业集团是集研发、生产、工程、销售、代理经销、技术咨询、信息服务等为一体的高科技企业，是专业高科技电子产品生产厂家，是具有 10 多年历史的专业电子元器件供应商，是中国最早和最大的仓储式连锁规模经营大型综合电子零部件代理分销商之一，是一家专业代理和分销世界各大品牌 IC 芯片和电子元器件的连锁经营综合性国际公司，专业经营进口、国产名厂名牌电子元件，型号、种类齐全。在香港、北京、深圳、上海、西安、成都等全国主要电子市场设有直属分公司和产品展示展销窗口门市部专卖店及代理分销商，已在全国范围内建成强大统一的供货和代理分销网络。我们专业代理经销、开发生产电子元器件、集成电路、传感器、微波光电元器件、工控机/DOC/DOM 电子盘、专用电路、单片机开发、MCU/DSP/ARM/FPGA 软件硬件、二极管、三极管、模块等，是您可靠的一站式现货配套供应商、方案提供商、部件功能模块开发配套商。商斯达实业公司拥有庞大的资料库，有数位毕业于著名高校——有中国电子工业摇篮之称的西安电子科技大学（西军电）并长期从事国防尖端科技研究的高级工程师为您精挑细选、量身订做各种高科技电子元器件，并解决各种技术问题。

更多产品请看本公司产品专用销售网站：

商斯达中国传感器科技信息网：<http://www.sensor-ic.com/>

商斯达工控安防网：<http://www.pc-ps.net/>

商斯达电子元器件网：<http://www.sunstare.com/>

商斯达微波光电产品网：[HTTP://www.rfoe.net/](http://www.rfoe.net/)

商斯达消费电子产品网：<http://www.icasic.com/>

商斯达实业科技产品网：<http://www.sunstars.cn/>

传感器销售热线：

地址：深圳市福田区福华路福庆街鸿图大厦 1602 室

电话：0755-83370250 83376489 83376549 83607652 83370251 82500323

传真：0755-83376182 (0) 13902971329 MSN: SUNS8888@hotmail.com

邮编：518033 E-mail:szss20@163.com QQ: 195847376

深圳赛格展销部：深圳华强北路赛格电子市场 2583 号 电话：0755-83665529 25059422

技术支持：0755-83394033 13501568376

欢迎索取免费详细资料、设计指南和光盘；产品凡多，未能尽录，欢迎来电查询。

北京分公司：北京海淀区知春路 132 号中发电子大厦 3097 号

TEL: 010-81159046 82615020 13501189838 FAX: 010-62543996

上海分公司：上海市北京东路 668 号上海赛格电子市场 2B35 号

TEL: 021-28311762 56703037 13701955389 FAX: 021-56703037

西安分公司：西安高新开发区 20 所(中国电子科技集团导航技术研究所)

西安劳动南路 88 号电子商城二楼 D23 号

TEL: 029-81022619 13072977981 FAX:029-88789382