

AT200

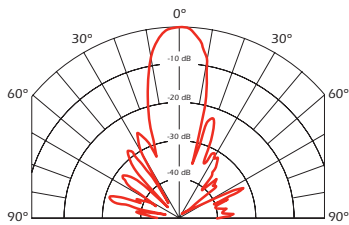


SPECIFICATIONS

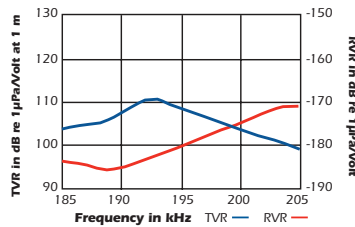
Best Operating Frequency: 200 kHz, $\pm 4\%$
Minimum Transmit Sensitivity at Best Transmit Frequency: 105 dB, 1 $\mu\text{Pa}/\text{V}$ at 1 m
Minimum Receive Sensitivity at Best Receive Frequency: -174 dB re 1V/ μPa
Minimum Parallel Resistance: 180 Ω , $\pm 30\%$
Minimum and Maximum Sensing Range*: 10 cm to 3 m
Typical Sensing Range: 12 cm to 2 m
Free (1 kHz) Capacitance: 500 pF, ± 100 pF
Beamwidth (@ -3 dB Full Angle): 14°, $\pm 2^\circ$
Maximum Driving Voltage (2% Duty Cycle Tone Burst): 500 V_{pp}
Operating Temperature: -40°C to 90°C
Weight: 6 g
Housing Material: Glass filled polyester
Acoustic Window: Glass reinforced epoxy

*Pulse-Echo Mode. Minimum and maximum ranges are best case scenarios. Actual range may vary depending on drive circuitry and signal processing.

Directivity Pattern



Transmit & Receive Voltage Response



Impedance Magnitude & Phase

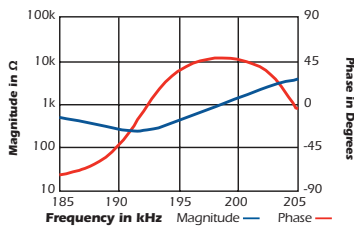
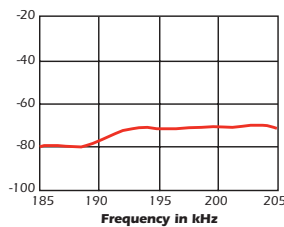


Figure of Merit (Sum of TVR & RVR)



200 kHz

AIRDUCER® Ultrasonic Transducer

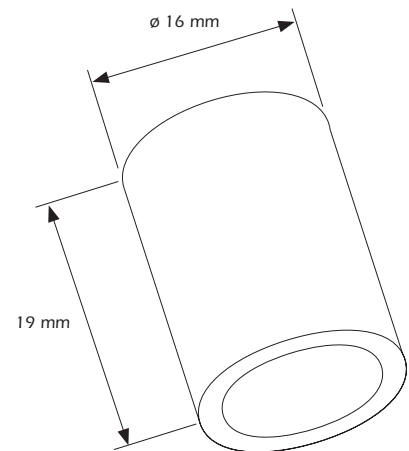
Applications

- Level measurement
- Automation control
- Proximity
- Obstacle avoidance
- Robotics

Features

- Rugged sealed construction
- Cylindrical design allows for installation in various applications

Dimensions



©Airmar Technology Corporation

AT200_rF 04/13/09

As Airmar constantly improves its products, all specifications are subject to change without notice. All specifications typical at 22°C. AIRDUCER® is a registered trademark of Airmar Technology Corporation. Other company or product names mentioned in this document may be trademarks or registered trademarks of their respective companies, which are not