



International Technologies Dr. Gambert GmbH

Product Specification of:

Industrial O₂-Sensor

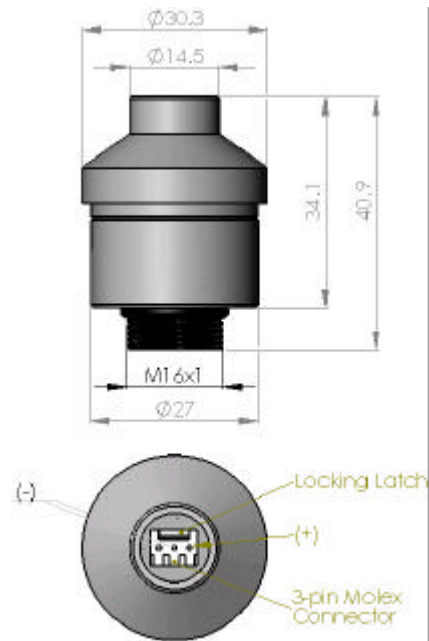
Type: I - 02

Part. No.: 48 00 26

Key Features: long-life type that has superior signal stability, designed for use in long-term monitoring such as in fruit storage application

All characteristics are based on conditions at 25°C, 50 % RH and 1013 hPa

Operating Principle:	galvanic fuel cell
Electrical Connector:	3-pin Molex
Measurement Range:	0 - 100 Vol.%
Nominal Sensor Life:	> 1, 000, 000 Vol.% h
Expected Operating Life:	6 years @ ambient air
Output Signal:	7 - 17 mV @ dry ambient air
Response Time t_{90} :	< 15 s
Linearity Error:	0 - 2 % oxygen: ± 0.1 % absolute 2.1 - 100 % oxygen: ± 5 % relative
Drift:	10 % per year
Operating Temperature:	0 - 50 °C
Pressure Range:	600 - 1750 hPa
Influence of Humidity:	-0.03% rel. O ₂ reading / % RH
Recommended Load Resistor:	≥ 10 kOhm
Temperature Compensation:	NTC
Interferences	< 0.1 % O ₂ response to: 15.0 % CO ₂ balance N ₂ 10.0 % CO balance N ₂ 3, 000 ppm NO balance N ₂ 3, 000 ppm C ₃ H ₈ balance N ₂ 500 ppm H ₂ S balance N ₂ 500 ppm SO ₂ balance N ₂ 1, 000 ppm Benzene balance N ₂



Tolerance: ± 0.15 mm

Storage Conditions

Temperature Range:	- 15 - 55°C maximum 5 - 25 °C recommended
Ambient Pressure:	600 - 1750 hPa
Humidity:	up to 100 % RH
Material in Contact with Media:	PA 12, PVC, PPS, Stainless Steel, PTFE
Shelf Life:	less than 6 months recommended
Weight:	approximately 27 g
Warranty Period:	15 months
Housing Colour:	black

This data sheet is subject to change without prior notice!

[I-02 Rev. 02-05.doc]

page 1 / 1

IT Dr. Gambert GmbH, Hinter dem Chor 21, 23966 Wismar, Germany

Tel.: +49 (0) 3841 22 00 50, Fax: +49 (0) 3841 22 00 522, sales@it-wismar.de, www.it-wismar.de

SUNSTAR自动化 <http://www.sensor-ic.com/> TEL: 0755-83376489 FAX:0755-83376182 E-MAIL: szss20@163.com