



# International Technologies

## Dr. Gambert GmbH

Product Specification of:

**O<sub>2</sub> - Medical Sensor:**

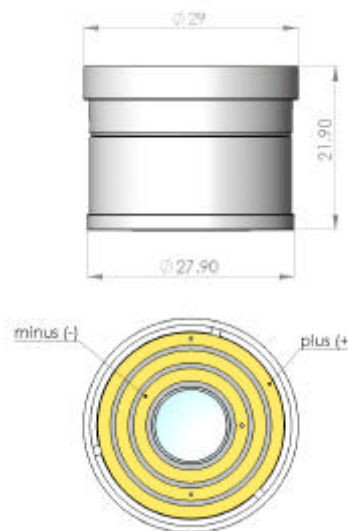
**Type: M - 08**

Part. No.: 41 00 12

**Key Features:** Single cathode gas sensor dedicated for exclusive use in Draeger **Incubator I-8000**. Its high signal stability combined with superior linearity over the entire range secures long term performance even when exposed to high O<sub>2</sub> load. This type cannot be used as replacement sensor for any other Draeger medical device.

All characteristics are based on conditions at 25°C, 50% RH and 1013 hPa

Electrical Connector:	3x gold-plated slip rings
Measurement Range:	0 to 100 Vol.%
Nominal Sensor Life:	> 750 000 Vol.% h
Expected Operating Life:	< 4 years @ ambient air
Output Signal:	14.5 to 19.5 mV, dry ambient air, load 600 Ohms
Response Time t <sub>90</sub> :	< 12 s
Drift:	< 1% volume O <sub>2</sub> / month @ air
Operating Temperature:	0 to 40°C
Pressure Range:	750 to 1250 hPa
Linearity Error:	< 3% of full scale @ const. pressure, temperature
Zero Offset Voltage:	= 200 µV in 100% N <sub>2</sub> , applied for 5 min
Repeatability:	± 1 % volume O <sub>2</sub> @ 100 % O <sub>2</sub> , applied for 5 min
Influence of Humidity:	-0.03% rel. O <sub>2</sub> reading per % RH
Recommended Load Resistor:	=10 kOhm
Interferences:	according to DIN EN 12598 and ISO 7767



Tolerance: ± 0.15 mm

### Storage Conditions

Temperature Range:	recommended: 5 to 30°C maximum: - 20 to 50°C
Humidity:	up to 100% RH
Shelf Life:	< 6 months
Weight:	approximately 20 g
Material in contact with media:	PA, PPS, PTFE, stainless steel
Warranty Period:	16 months
Housing Colour:	white

This data sheet is subject to change without prior notice !

[M-08 Rev. 01-05.doc]

page 1 / 1

IT Dr. Gambert GmbH, Hinter dem Chor 21, 23966 Wismar, Germany

Tel.: +49 (0) 3841 22 00 50, Fax: +49 (0) 3841 22 00 522, [sales@it-wismar.de](mailto:sales@it-wismar.de), [www.it-wismar.de](http://www.it-wismar.de)

SUNSTAR自动化 <http://www.sensor-ic.com/> TEL: 0755-83376489 FAX:0755-83376182 E-MAIL: szss20@163.com