



Data sheet

# Temperature sensor and temperature transmitter Type MBT 5410



The MBT 5410 is a heavy-duty temperature sensor that can be used for controlling freezing installations and room temperature within general industry and marine applications. This temperature sensor is based on a standardized Pt 100 or Pt 1000 element, which gives a reliable and accurate measurement. If needed a transmitter (MBT 9110) can be ordered as an integrated part of the sensor.

**Features**

- For measuring temperature in marine and industrial refrigeration, freezing installations
- Temperature range: From -50 – 70 °C
- High measuring accuracy
- Robust construction with resistance to shock and vibration
- Available with built-in transmitter

**Approvals**

Lloyds Register of Shipping, LR  
 Germanischer Lloyd, GL  
 Det Norske Veritas, DNV  
 Registro Italiano Navale, RINA

Nippon Kaiji Kyokai, NKK  
 American Bureau of Shipping, ABS  
 Korean Register of Shipping, KRS  
 Bureau Veritas, BV  
 China Classification Society, CCS

**Data sheet****Temperature sensor and temperature transmitter, type MBT 5410****Technical data***Mechanical and environmental specifications*

Ambient temperature	Approval from Lloyds Register of Shipping covers measuring range -30 – 70 °C. Because of this limitation the products are marked -30 – 70 °C.	
	Max. ambient temperatures for sensors with temperature transmitter are:	
	Standard:	-40 – 70 °C (Brief in max. 2 hours: 80 °C)
	Without transmitter:	-50 – 70 °C (Brief in max. 2 hours: 80 °C)
Sensor tolerance	EN 60751 class B: $\pm (0.3 + 0.005 \times t)$	t = temperature of medium, numerical value
Vibration stability	Shock:	100 g / 6 ms
	Vibrations:	4 g sine function, 2 – 100 Hz, measured acc. to IEC 60068-2-6
Enclosure	IP67 according to IEC 60529	
Cable entry	Pg 13.5	
Material (sensor tube)	W.no. 1.4571 (AISI 316 Ti)	

Further information about temperature transmitter type MBT 9110 available in separate data sheet

*Response time*

Protection tube	Indicative response times	
	Air 1 m/s	
	$t_{0.5}$	$t_{0.9}$
$\varnothing 10 \times 2$	35 s	100 s

*Net weight*

	Without temperature transmitter	With temperature transmitter
Net weight, approx.	550 g	600 g

**Data sheet**

**Temperature sensor and temperature transmitter, type MBT 5410**

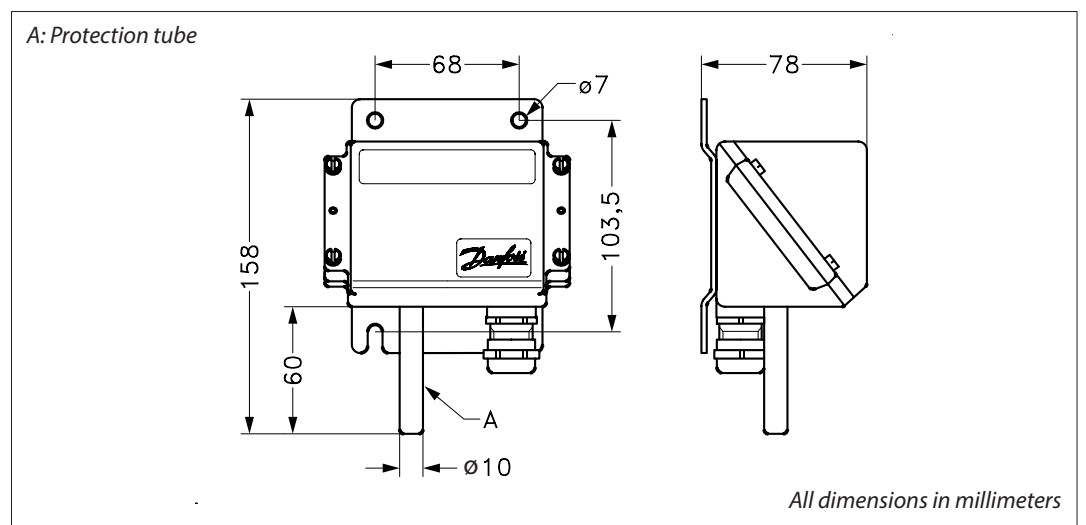
**Ordering standard**

Type MBT 5410		Sensor	Transmitter
<b>Temperature range</b> -50 – 100 °C (-30 – 70 °C) <sup>1)</sup>		0	
<b>Resistance value</b> 1 × Pt 100 1 × Pt 1000 Other		0 2 9	
<b>Protection Tube, W.nr. 1.4571 (AISI 316 Ti)</b> ø10 mm Other		0 9	
<b>Insertion length</b> 60 mm 100 mm		060 100	
<b>Tolerance</b> EN 60751 Class B Other		0 9	
<b>Connection</b> 2 wire 3 terminals 3 wire 4 wire		0 0 1 1 2	
			<b>Transmitter setting, end of range</b> 00 0 °C (or none) 05 50 °C 10 100 °C 11 110 °C 99 Other
			<b>Transmitter setting, start of range</b> 0 None 1 0 °C 2 -10 °C 3 -30 °C 4 -50 °C 6 -20 °C 9 Other
			<b>Transmitter type</b> 0 None G Standard
			<b>Connection box</b> KPS with plastic lid KPS with metal lid

Preferred versions

<sup>1)</sup> Approval from Lloyds Register of Shipping covers measuring range -30 – 70 °C. Because of this limitation the products are marked -30 – 70 °C

**Dimensions**



Danfoss can accept no responsibility for possible errors in catalogues, brochures and other printed material. Danfoss reserves the right to alter its products without notice. This also applies to products already on order provided that such alterations can be made without subsequential changes being necessary in specifications already agreed. All trademarks in this material are property of the respective companies. Danfoss and the Danfoss logotype are trademarks of Danfoss A/S. All rights reserved.