

## 721 Data Sheet

### Description:

#### Model 721 ACCU-CODER

\_\_\_\_\_ Pulses Per Shaft Revolution

**120 VAC** Input Voltage

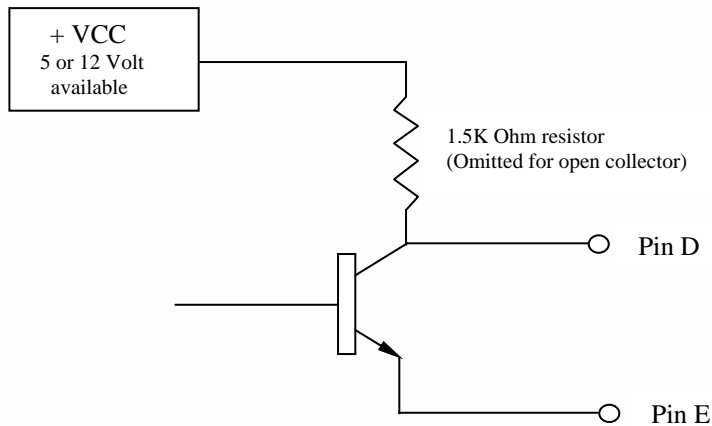
\_\_\_\_\_ Single or Double Ended Shaft

\_\_\_\_\_ VDC Output Signal Amplitude

\_\_\_\_\_ Housing Type

### Wiring Information

Terminal (HD only)	Pin #	Function
1	A	120 VAC
2	B	120 VAC Neutral
3	C	No Connection
4	D	Output Signal
5	E	Output Common
6	F	Case GND (Encoder case ground must be provided to prevent possible electrical shock.)



Technical Bulletin 512