

MINIATURIZED DUAL ELEMENT PYRODETECTORS FOR MOTION SENSING



PYD 5731 – DigiPyro®

Applications

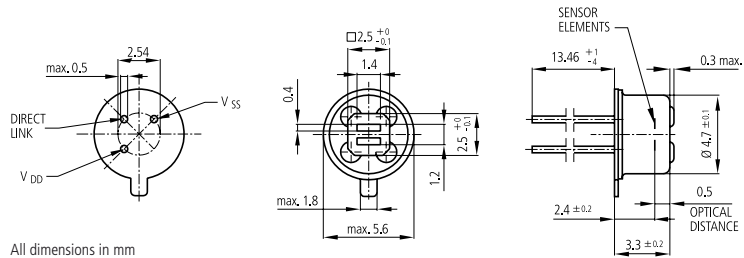
- Auto light switch
- Wall switch

Features and Benefits

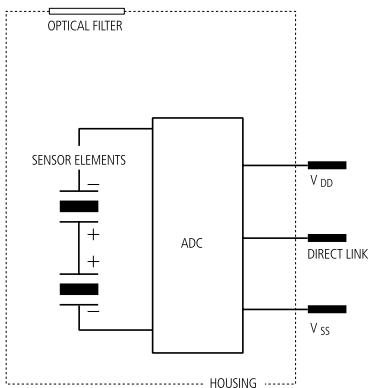
- TO-46 metal housing

Product Description

With the PYD 5731 Excelitas extends the emerging DigiPyro® family to bring all-digital processing to miniaturized detector designs. The PYD 5731 offers the same direct link interface as the regular PYD 1998 DigPyro®. It features a miniaturized Dual Element pyro in TO-46 housing.



All dimensions in mm



PYD 5731 – DigiPyro®

Main Parameter	Symbol	PYD 5731	Unit	Remark
Responsivity, min.	R _{min}	6.0	kV/W	f = 1 Hz
Responsivity, typ.	R _{typ}	9.0	kV/W	f = 1 Hz
Match, max.	M _{max}	10	%	
Noise	N	180	μV _{pp}	
Field of view, horizontal	FoV	99°		Unobstructed
Field of view, vertical	FoV	88°		Unobstructed
Operating voltage	V _{DD}	2.7 ... 3.6	V	
Supply current	I _{DDmax}	15	μA	V _{DD} = 3.3 V
Digital Data				
Serial interface update time	t _{REP}	13	ms	
ADC resolution		14	Bits	Max. count = 2 ¹⁴ - 1
Output data format		2 x 14	Bits	
ADC sensitivity		6 ... 7	μV/count	
ADC output offset		7000 ... 9200	Counts	
ADC output offset	typ.	8192	Counts	
Temperature Reference				
Gain (temperature)		80	Counts/K	-20° C to +80° C
Linearity		-5 ... +5	%	-20° C to +80° C
Filter				
Digital filter cut off		10	Hz	