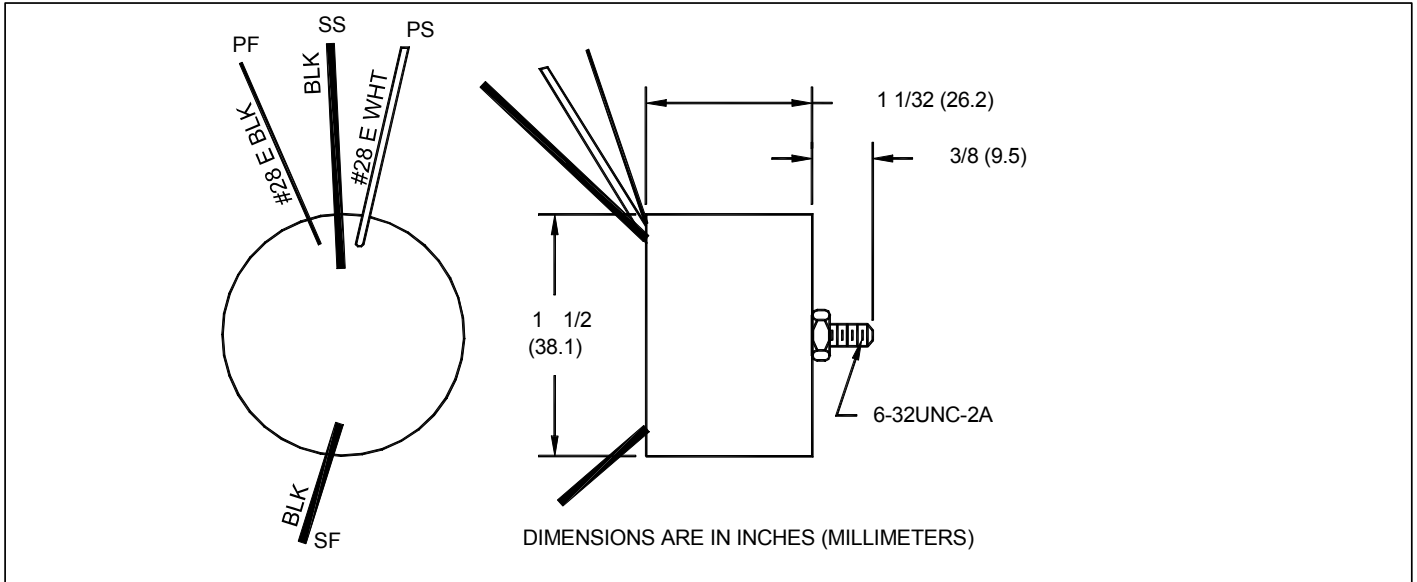


## TS-1952 SERIES INJECTION TRANSFORMER

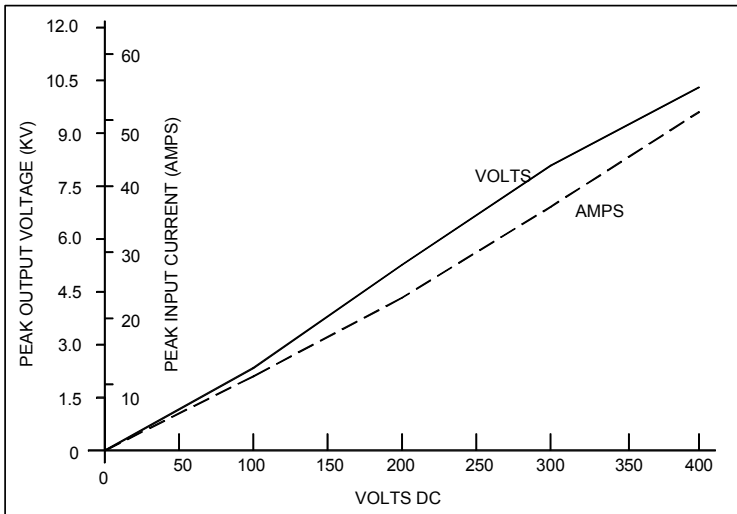


### OUTLINE & MOUNTING DIMENSIONS

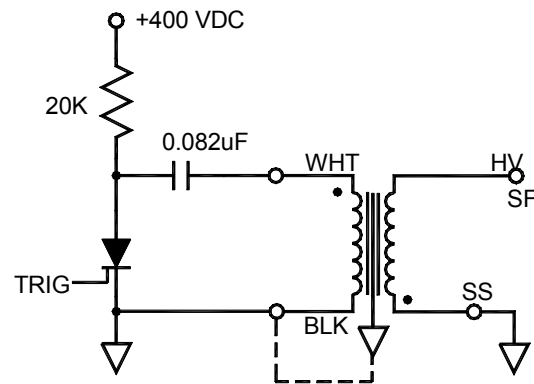
### SPECIFICATIONS

Maximum DC input	400 Volts
Primary peak current	160 Amps max.
Turns ratio (secondary to primary)	40:1
Hold-off voltage (secondary to primary)	5 KV DC
Secondary DCR	0.1 ohms

Output voltage	10 KV
Rise time, 10%-90%	0.6 uSec max.
Pulse width 1/3 amplitude	0.2 uSec min.
Secondary RMS current	1A
Secondary saturated inductance	36uH



**INPUT VS. OUTPUT**



**TYPICAL CIRCUIT**

For more information e-mail us at [generalinquiries@excelitas.com](mailto:generalinquiries@excelitas.com) or visit our website at [www.excelitas.com](http://www.excelitas.com)  
All values are nominal; specification subject to change without notice.

Worldwide Headquarters  
Excelitas Technologies  
44370 Christy Street  
Fremont, CA 94538  
Telephone: +1 510-979-6500  
Toll Free (North America): +1 800-775-OPTO (6786)  
Fax: +510-687-1140  
[generalinquiries@excelitas.com](mailto:generalinquiries@excelitas.com)

Europe Headquarters  
Excelitas Technologies  
Wenzel-Jaksch-Str. 31  
D-65199 Wiesbaden, Germany  
Telephone: +49 611 492 430  
Fax: +49 611 492 165

Asia Headquarters  
Excelitas Technologies  
47 Ayer Rajah Crescent #06-12  
Singapore 139947  
Telephone: +65 6770 2022  
Fax: +65 6775 1008

**EXCELITAS**  
TECHNOLOGIES