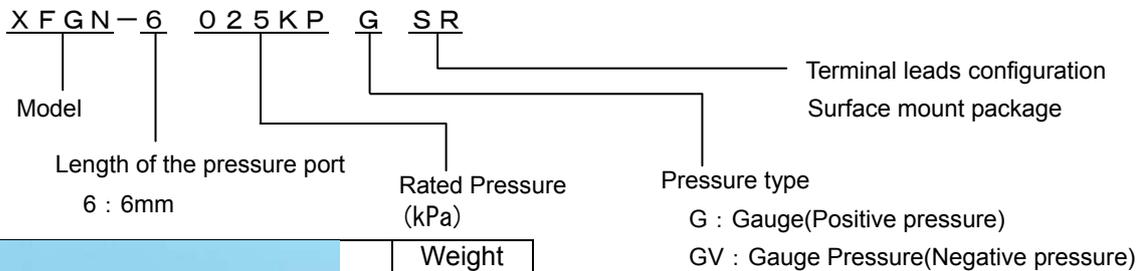


■Features

- On-chip amplification and temperature compensations
- Pre-calibration of offset voltage and span
- Surface mount package

■Ordering Information



RoHS compliance

Measurable pressure range(kPa)	Part number
0 to -24.5	XFGN-603PGVSR
0 to -100	XFGN-6100KPGVSR
0 to 25	XFGN-6025KPGSR
0 to 50	XFGN-6050KPGSR
0 to 100	XFGN-6100KPGSR
0 to 200	XFGN-6200KPGSR

■Specifications

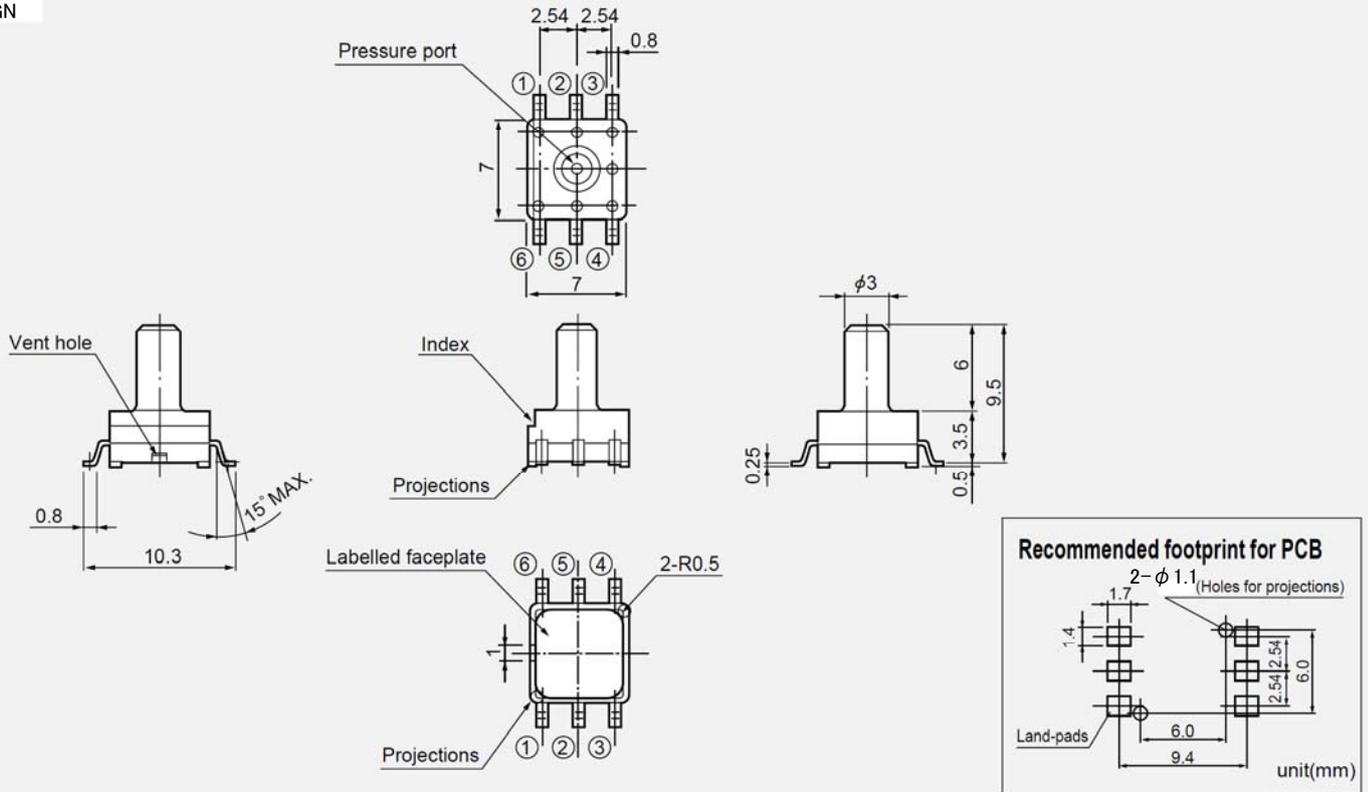
Model	603PGV	6100KPGV	6025KPG	6050KPG	6100KPG	6200KPG	Unit
Recommended operating conditions							
Pressure type	Gauge pressure						-
Rated pressure	-24.5	-100	25	50	100	200	kPa
Measurable pressure range	0 to -24.5	0 to -100	0 to 25	0 to 50	0 to 100	0 to 200	kPa
Temperature range	0 to 50						deg.C
Pressure media	Non-corrosive gases only (No liquid)						-
Excitation current (Constant)	5+/-0.25						VDC
Absolute maximum rating							
Maximum load pressure	Twice of rated pressure						-
Maximum excitation voltage	8						VDC
Operating temperature	-10 to 80						deg.C
Storage temperature	-20 to 100						deg.C
Operating humidity	30 to 80 (Non dew condition)						%RH
Electrical characteristics (Excitation voltage Vcc=5.0V constant ,ambient temperature Ta=25deg.C)							
Power consumption	10mA max.						mA
Output impedance	10Ω max.						Ω
Source current	0.2mA max.						mA
Sink current	2mA max.						mA
Response time	2 (for the reference)						msec.
Output span voltage	4.0						V
Offset voltage *	0.5V(at 0kPa) +/-0.1V(25deg.C) , +/-0.2V(0 to 50deg.C)						V
Output voltage at full scale *	4.5V(at rated pressure) +/-0.1V(25deg.C) , +/-0.2V(0 to 50deg.C)						V
Accuracy *	+/-5.0						%FS/0-50deg.C

* Excluding input voltage error.

■Outline dimensions■

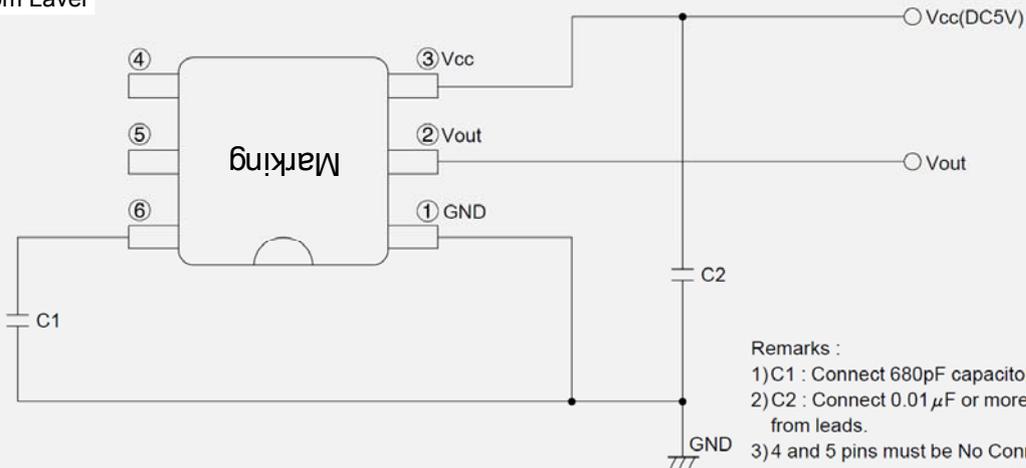
unit(mm)

XFGN



■Connection diagram■

View from Level



Remarks :

- 1) C1 : Connect 680pF capacitor within 2cm distance from leads.
- 2) C2 : Connect 0.01 μF or more capacitor within 2cm distance from leads.
- 3) 4 and 5 pins must be No Connection. Open them as floating ones completely, and do NOT connect to other line or each other.

■Transfer Function■

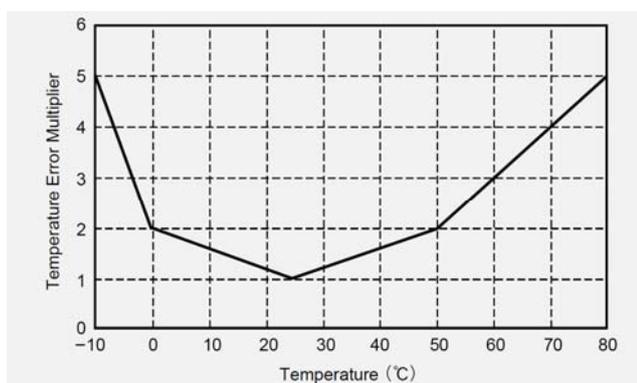
$$V_{out} = V_s \times (P \times \alpha + \beta) \pm (\text{Pressure Error} \times \text{Temperature Error Multiplier} \times \alpha \times V_s)$$

$$V_s = V_{cc} = 5.0V$$

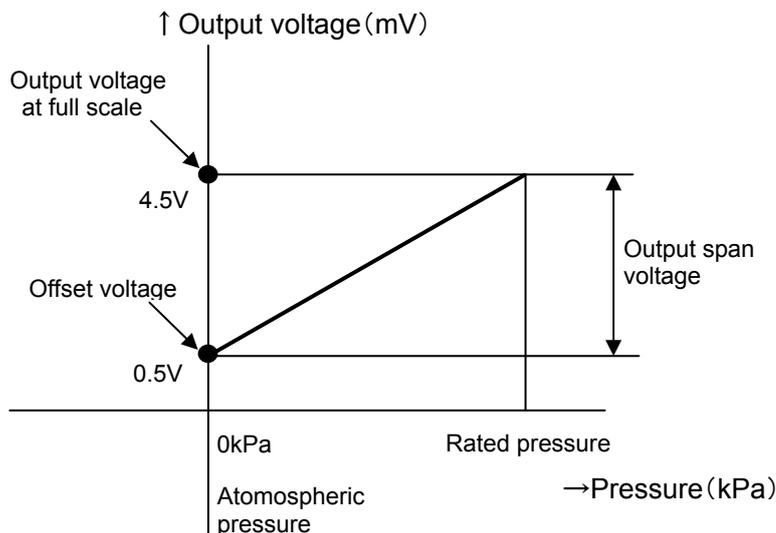
$$P = \text{Input pressure (kPa)}$$

Model	Measurable pressure range (kPa)	α	β	Pressure Error (kPa)
XFGN-603PGVSR	0 to -24.5	-0.03266	0.1	0.612
XFGN-6100KPGVSR	0 to -100	-0.008	0.1	2.5
XFGN-6025KPGSR	0 to 25	0.032	0.1	0.625
XFGN-6050KPGSR	0 to 50	0.016	0.1	1.25
XFGN-6100KPGSR	0 to 100	0.008	0.1	2.5
XFGN-6200KPGSR	0 to 200	0.004	0.1	5

Temperature Error Multiplier



■Output characteristics■

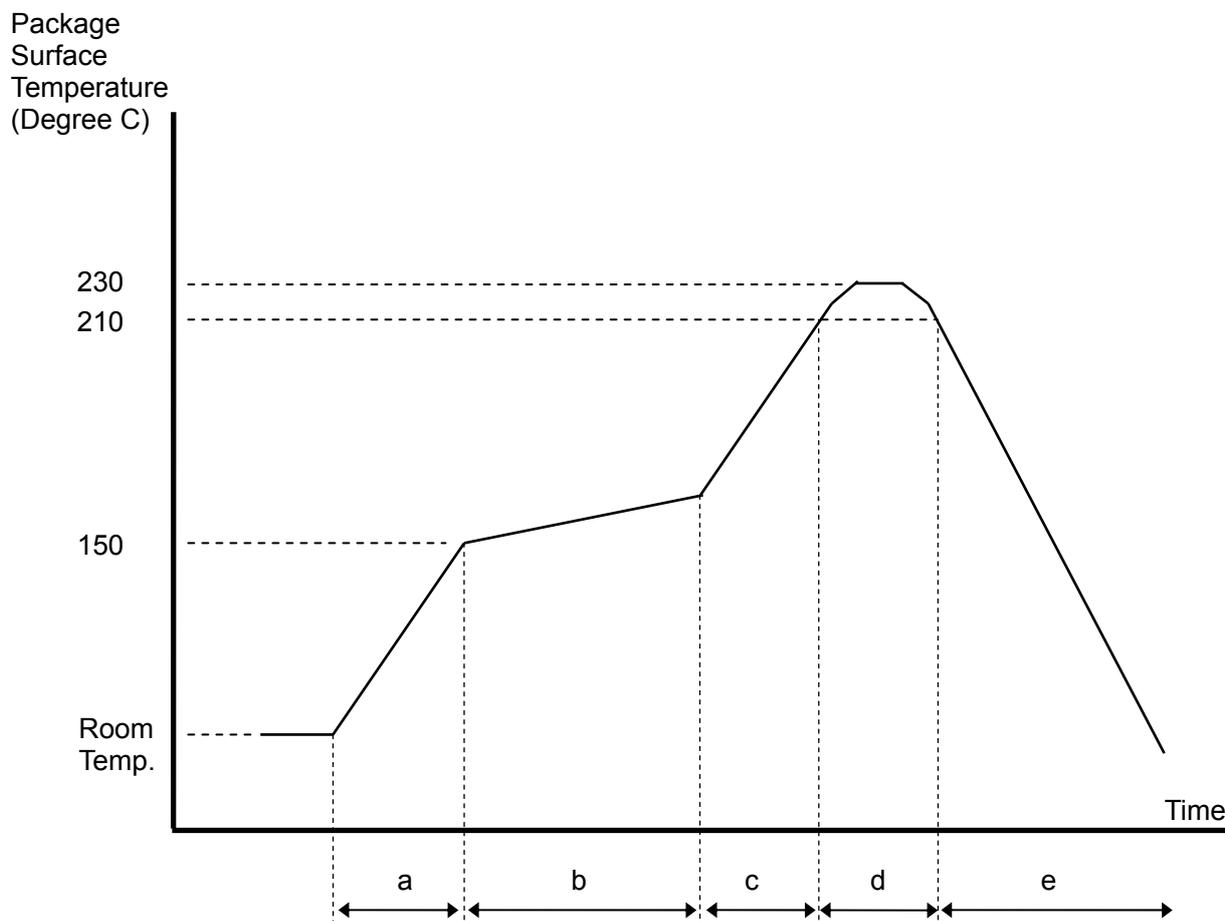


Note ; Please read instruction "Notes" before using the sensor.
Fujikura reserves the right to change specifications without notice.

Please keep the sensors sealed using static shielding bags on storage. The pins of the sensor are plated by Ag. If the sensors expose to an atmosphere, the pins will be black by sulfuration.

Please set Zero-calibration function up your products. The offset voltage may be shifted some mechanical stress such as mounting, installation and etc. over longtime using.

Reflow Soldering process recommendation profile



- | | |
|-------------------|--|
| a: Ramp up rate | 1 or 2 deg.C/sec. |
| b: Pre-heating | 150 to 180 deg.C, within 60 to 120sec. |
| c: Ramp up rate | 1 to 2 deg.C/sec. |
| d: Heating | max. 230 deg.C, max. 10sec. 210 deg.C, within 30sec. |
| e: Ramp down rate | 1 or 2 deg.C/sec. |

- Note ;
- 1) Temperature means Surface temperature of the sensor package.
 - 2) Reflow process max. 2 times.
 - 3) Do not wash the sensor.
 - 4) Do not put the solder and flux on the sensor package.

If you have any questions regarding technical issues or specifications, please contact us.
 Fujikura Ltd. Sensor Department 5-1 Kiba 1-chome, Koto-ku, Tokyo 135-8512, Japan
 Phone +81-(0)3-5606-1072
 E-mail : sensor@fujikura.co.jp

SUNSTAR实业集团是集研发、生产、工程、销售、代理经销、技术咨询、信息服务等为一体的高科技企业，是专业高科技电子产品生产厂家，是具有10多年历史的专业电子元器件供应商，是中国最早和最大的仓储式连锁规模经营大型综合电子零部件代理分销商之一，是一家专业代理和分销世界各大品牌IC芯片和电子元器件的连锁经营综合性国际公司。在香港、北京、深圳、上海、西安、成都等全国主要电子市场设有直属分公司和产品展示展销窗口门市部专卖店及代理分销商，已在全国范围内建成强大统一的供货和代理分销网络。我们专业代理经销、开发生产电子元器件、集成电路、传感器、微波光电元器件、工控机/DOC/DOM电子盘、专用电路、单片机开发、MCU/DSP/ARM/FPGA软件硬件、二极管、三极管、模块等，是您可靠的一站式现货配套供应商、方案提供商、部件功能模块开发配套商。专业以现代信息产业（计算机、通讯及传感器）三大支柱之一的传感器为主营业务，专业经营各类传感器的代理、销售生产、网络信息、科技图书资料及配套产品设计、工程开发。我们的专业网站——**中国传感器科技信息网（全球传感器数据库）www.SENSOR-IC.COM** 服务于全球高科技生产商及贸易商，为企业科技产品开发提供技术交流平台。欢迎各厂商互通有无、交换信息、交换链接、发布寻求代理信息。欢迎国外高科技传感器、变送器、执行器、自动控制产品厂商介绍产品到**中国**，共同开拓市场。本网站是关于各种传感器-变送器-仪器仪表及工业自动化大型专业网站，深入到工业控制、系统工程计 测计量、自动化、安防报警、消费电子等众多领域，把最新的传感器-变送器-仪器仪表买卖信息，最新技术供求，最新采购商，行业动态，发展方向，最新的技术应用和市场资讯及时的传递给广大科技开发、科学研究、产品设计人员。本网站已成功为石油、化工、电力、医药、生物、航空、航天、国防、能源、冶金、电子、工业、农业、交通、汽车、矿山、煤炭、纺织、信息、通信、IT、安防、环保、印刷、科研、气象、仪器仪表等领域从事科学研究、产品设计、开发、生产制造的科技人员、管理人员、和采购人员提供满意服务。**我公司专业生产、代理、经销、销售各种传感器、变送器、敏感元器件、开关、执行器、仪器仪表、自动化控制系统：专门从事设计、生产、销售各种传感器、变送器、各种测控仪表、热工仪表、现场控制器、计算机控制系统、数据采集系统、各类环境监控系统、专用控制系统应用软件以及嵌入式系统开发及应用等工作。如热敏电阻、压敏电阻、温度传感器、温度变送器、湿度传感器、湿度变送器、气体传感器、气体变送器、压力传感器、压力变送、称重传感器、物（液）位传感器、物（液）位变送器、流量传感器、流量变送器、电流（压）传感器、溶氧传感器、霍尔传感器、图像传感器、超声波传感器、位移传感器、速度传感器、加速度传感器、扭距传感器、红外传感器、紫外传感器、火焰传感器、激光传感器、振动传感器、轴角传感器、光电传感器、接近传感器、干簧管传感器、继电器传感器、微型电泵、磁敏（阻）传感器、压力开关、接近开关、光电开关、色标传感器、光纤传感器、齿轮测速传感器、时间继电器、计数器、计米器、温控仪、固态继电器、调压模块、电磁铁、电压表、电流表等特殊传感器。同时承接传感器应用电路、产品设计和自动化工程项目。**

欢迎索取免费详细资料、设计指南和光盘；产品凡多，未能尽录，欢迎来电查询。

更多产品请看本公司产品专用销售网站：

中国传感器科技信息网：<http://www.sensor-ic.com/>工控安防网：<http://www.pc-ps.net/>

电子元器件网：<http://www.sunstare.com/>微波光电产品网：[HTTP://www.rfoe.net/](http://www.rfoe.net/)

消费电子产品网：<http://www.icasic.com/>军工产品网：<http://www.junpinic.com/>

实业科技产品网：<http://www.sunstars.cn/>传感器销售热线：

电话：0755-83607652 83376489 83376549 83370250 83370251

传真：0755-83376182 (0) 13902971329 MSN: SUNS8888@hotmail.com

邮编：518033 E-mail: szss20@163.com QQ: 195847376

技术支持：0755-83394033 13501568376