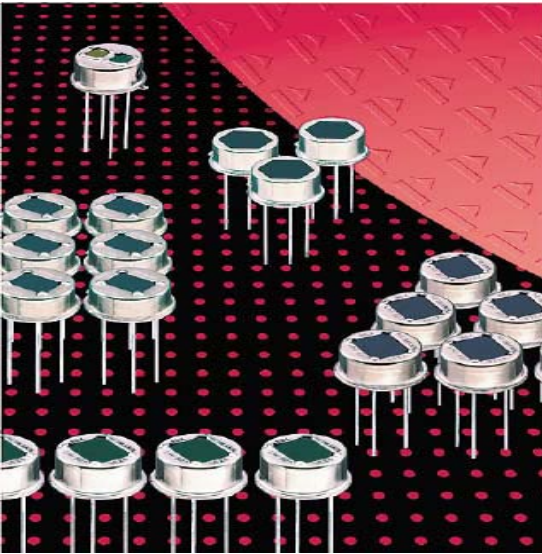


Quad Element Detector LHi 1148



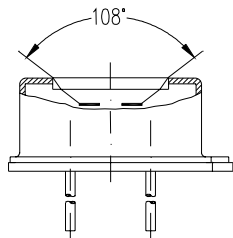
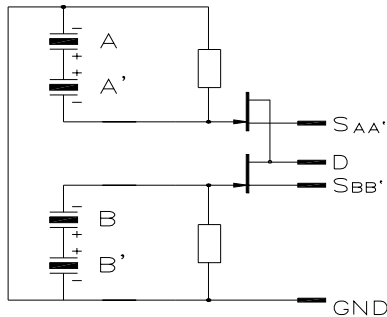
Four elements in two pairs

Two FET outputs, inverse polarity

Designed for redundant PIR alarms

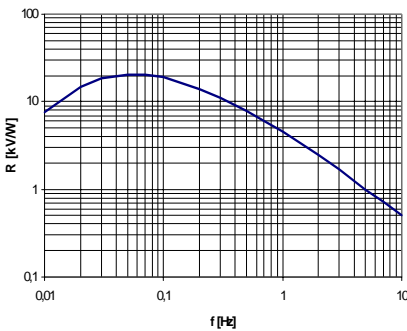
The **LHi 1148** pyroelectric infrared detector is designed for high end PIR alarm applications. It includes a Quad type pyroelectric ceramic with 4 sensitive elements connected to two FET source follower circuits. Thus it provides for dual channel output. One channel is inverse to the other.

The **LHi 1148** detector is available in **TO-5** housing with standard infrared filter. It offers excellent common mode performance (match) and low noise.

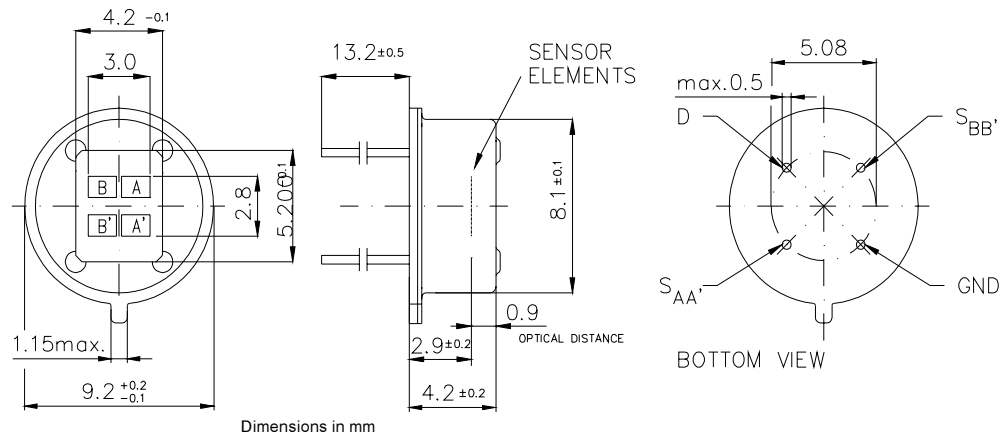


Field of View

Right for modification reserved / WS / 29.6.2001



Frequency Response



Parameters	LHi 1148			units	condition
	min	typical	max		
Element size	1,375x1			mm ²	(4 elements)
Responsivity	3 500	4 500		V/W	100°C, 1 Hz
Match	1	10		%	
Noise	30	75		µVpp	25°C, 0,3...10Hz
Offset Voltage	0,2	1,55		V	R _s =47kΩ, 25°C
NEP	8,6x10 ⁻¹⁰	28x10 ⁻¹⁰		W √Hz	1Hz Bw, 100°C, 1 Hz
D*	5x10 ⁻⁷	14x10 ⁻⁷		cm √Hz/W	1Hz Bw, 100°C, 1 Hz
Output Impedance	5	10		kΩ	R _s =47kΩ, 25°C
Operating Voltage	2	15		V	R _s =47kΩ, 25°C
Field of View, horizontal	108°				unobstructed
Field of View, vertical	67°				unobstructed
Operating Temp.	-40	85		°C	non permanent
Storage Temperature	-40	85		°C	non permanent

Europe:
PerkinElmer Optoelectronics GmbH
 Wenzel Jaksch Str 31
 Wiesbaden / Germany
 Phone +49(0)611 492 0
 Fax +49(0)611 492 170

USA:
PerkinElmer Optoelectronics
 2175 Mission College Blvd
 Santa Clara, CA 95054
 Phone +408 565 0830
 Fax +408 565 0703

Asia:
PerkinElmer Optoelectronics
 47, Ayer Rajah Crescent #06-12
 Singapore 139947
 Phone +65 775 2022
 Fax +65 775 1008