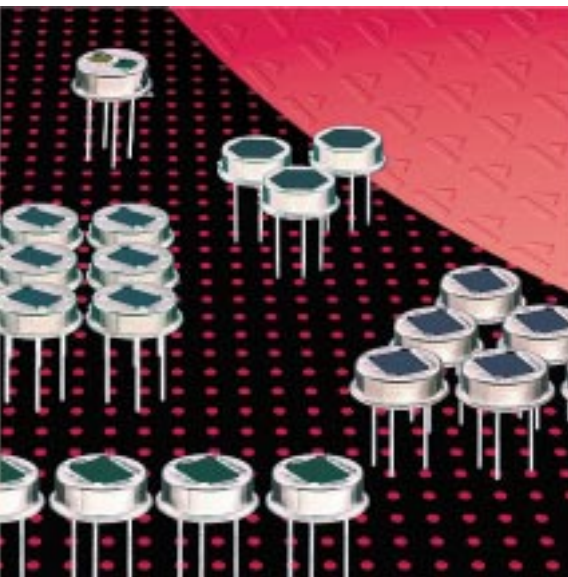


Dual Element Detector LHi 968



High End Dual Element Detector

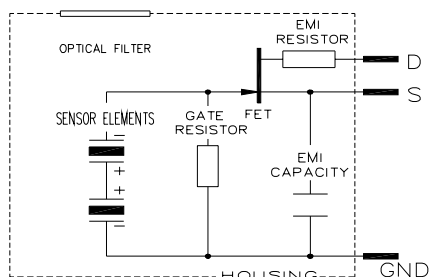
Special RFI Protection

Designed for PIR Alarms

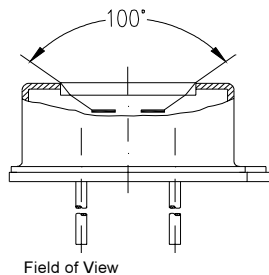
The **LHi 968** pyroelectric infrared-detector series is specially designed for Intrusion Alarm applications. It includes a dual element pyroelectric ceramic with FET in source follower connection and RF protection by a resistor and additional capacitor.

This detector is available in **TO-5** housing with an infrared filter which protects the elements from strong white light disturbance. It offers high responsivity with excellent common mode performance (match) and low noise.

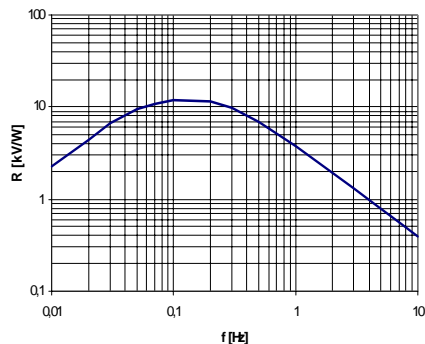
| Parameters | LHi 968 | | | |
|-----------------------|---------|---------|-----|------------------------------|
| | min | typical | max | units condition |
| Element size | 2 x 1 | | | mm ² (2 elements) |
| Responsivity | 3 300 | 3800 | | V/W 100°C, 1 Hz |
| Match | | 1 | 10 | % |
| Noise | | 20 | 50 | µVpp 25°C, 0,3...10Hz |
| Offset Voltage | 0,2 | | 1,5 | V 25°C, R _s =47kΩ |



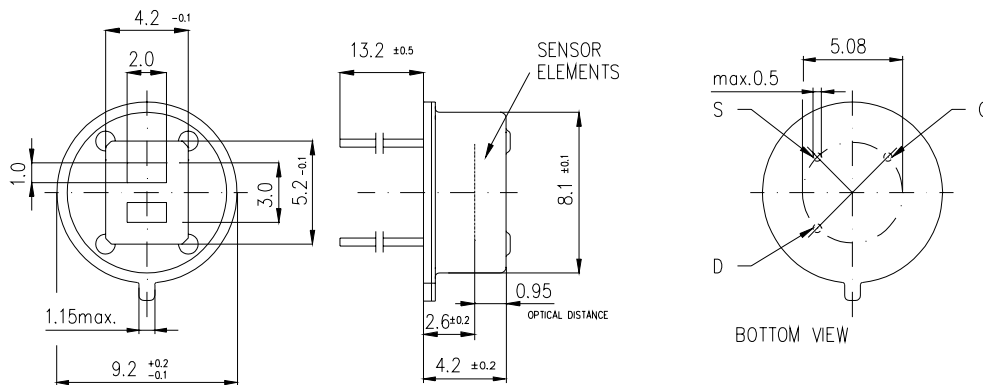
| | | | | |
|----------------------------------|-----------------------|----------------------|--------------|-------------------------------|
| NEP | 7,5x10 ⁻¹⁰ | 28x10 ⁻¹⁰ | W √Hz | 1Hz Bw, 100°C, 1 Hz |
| D* | 5x10 ⁷ | 19x10 ⁷ | cm √Hz/W | 1Hz Bw, 100°C 1 Hz |
| Output Impedance | | 5 | 10 | kΩ R _s =47kΩ, 25°C |
| Operating Voltage | 2 | | 15 | V R _s =47kΩ, 25°C |
| Field of View, horizontal | 100° | | unobstructed | |
| vertical | 100° | | unobstructed | |
| Operating Temperature | -40 | | 85 | °C non permanent |
| Storage Temperature | -40 | | 85 | °C non permanent |



Right for modification reserved / WS / 29.6.2001



Frequency Response



Dimensions in mm

Europe:
PerkinElmer Optoelectronics GmbH
 Wenzel Jaksch Str 31
 Wiesbaden / Germany
 Phone +49(0)611 492 0
 Fax +49(0)611 492 170

USA:
PerkinElmer Optoelectronics
 2175 Mission College Blvd
 Santa Clara, CA 95054
 Phone +408 565 0830
 Fax +408 565 0703

Asia:
PerkinElmer Optoelectronics
 47, Ayer Rajah Crescent #06-12
 Singapore 139947
 Phone +65 775 2022
 Fax +65 775 1008

SUNSTAR自动化 <http://www.sensor-ic.com/> TEL: 0755-83376489 FAX:0755-83376182 E-MAIL:szss20@163.com

