

## Interactive Catalog Replaces Catalog Pages

Honeywell Sensing and Control has replaced the PDF product catalog with the new **Interactive Catalog**. The **Interactive Catalog** is a power search tool that makes it easier to find product information. It includes more installation, application, and technical information than ever before.



**Click this icon to try the new  
Interactive Catalog.**

---

**Sensing and Control**

Honeywell Inc.

11 West Spring Street  
Freeport, Illinois 61032



SUNSTAR自动化 <http://www.sensor-ic.com/> TEL: 0755-83376489 FAX:0755-83376182 E-MAIL:szss20@163.com

# 300FW SERIES

## TWO PART PROXIMITY SENSOR

### Description :

The 300FW series two part proximity sensors are designed to work in conjunction with Honeywell Sensor Interface Card (405FW series) or Sensor Interface Module (ZS-00380 Series).

Designed for the extreme environments encountered in aerospace applications, the sensor is enclosed in a rugged hermetically sealed stainless steel housing and contains only a passive sensing element based on the variable inductance balanced bridge principle. This is used to detect ferrous objects passing in front of the sensing face. The electronic conditioning circuitry is contained on the separate Sensor Interface Card or Sensor Interface Module which may be located in a more sheltered environment.

The combined sensor and interface system is highly reliable with mean time between failure in excess of 500K hours when used with the Sensor Interface Module ZS-00380 Series.

### Features :

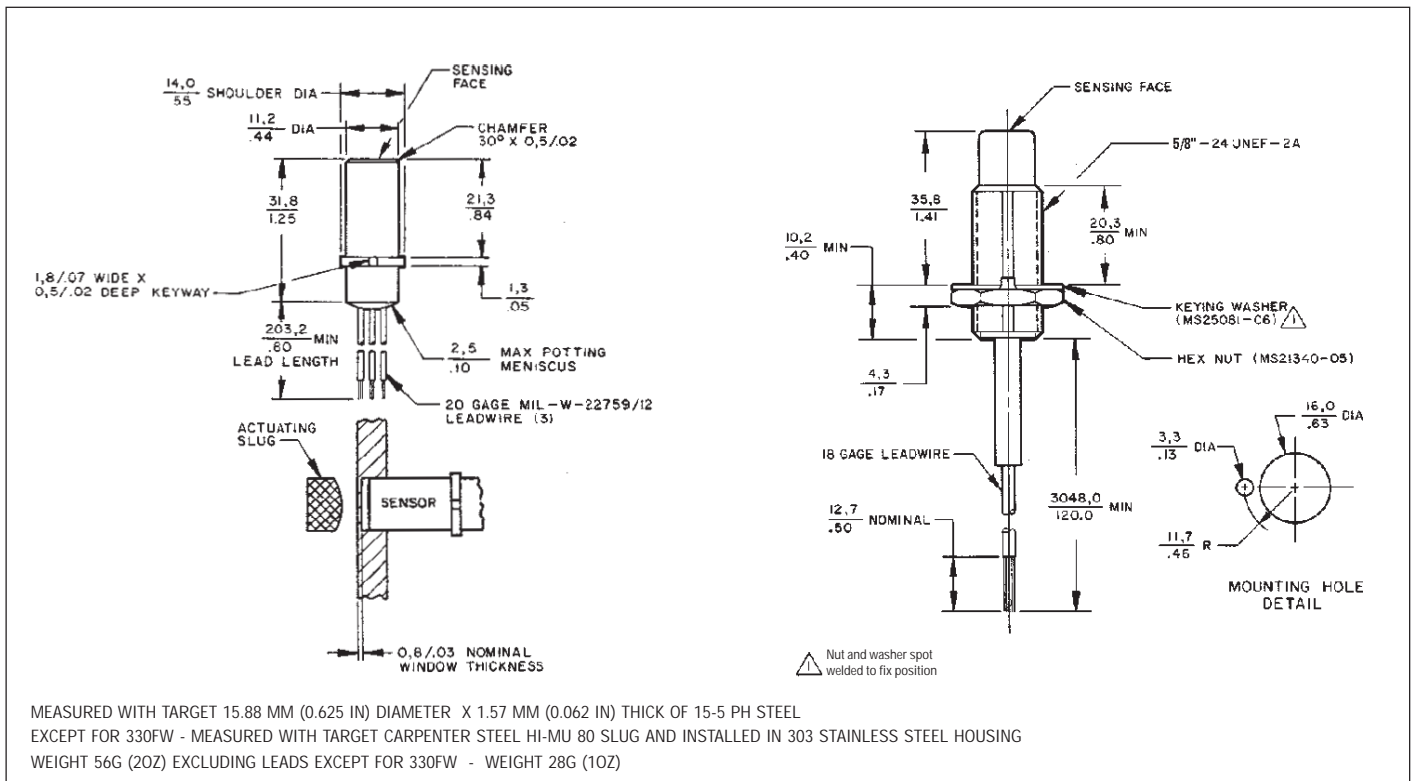
- Ferrous metal sensing
- Small size housing
- High reliability

### Typical Applications :

- Aircraft landing gear
- Flight control surfaces
- Aircraft door monitoring

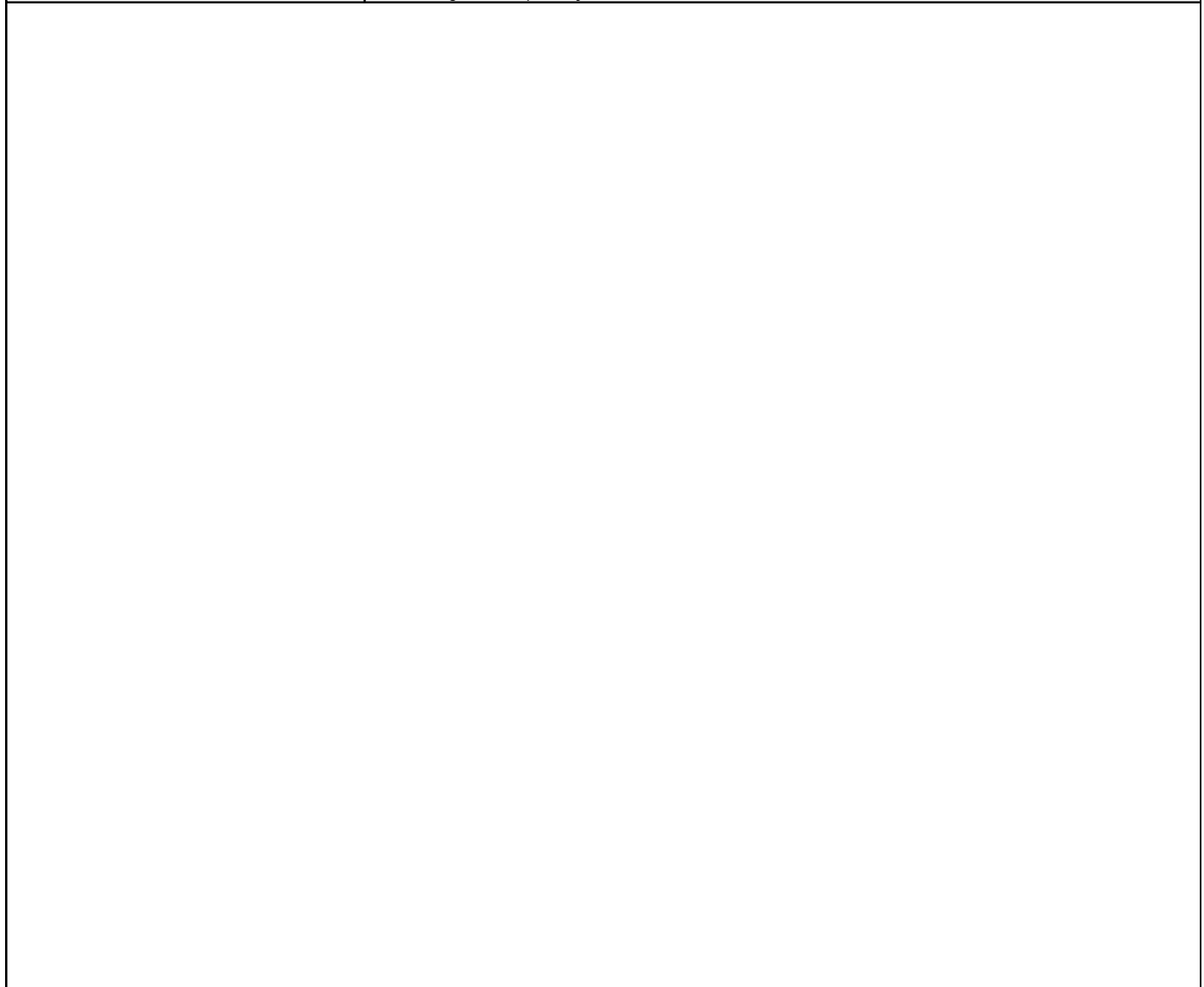


Dimensions in mm and inches (for reference only)



# Specifications

Sensing Characteristics :					
Sensor	5/8 - 24	UNEF Thread	Shielded	11.2 mm diameter	Shielded
	310FW04-10	320FW04-5	390FW04A-10	330FW04A-1	330FW04A-2
Sensing Distance	1.78 - 3.30 mm			1.40 - 1.78 mm	
Differential travel	0.13 - 0.76			0.13 - 0.25	
Operating temperature	-77° to +125° C			-77° to +120° C	
Vibration	25 g peak, sinusoidal				
Shock	MIL-STD-810B Method 516: 100G 1 ms				
Salt spray	MIL-STD-810B Method 509: 5% 48 hours				
Sand and dust	MIL-STD-810B Method 510: varying temperature and velocities: 28 hours				
Humidity	MIL-STD-810B Method 507: 95% RH @ 65° C				
Chemicals	Resistance to skydrol and typical aircraft fuels				
Altitude	Sea level to 21,212 m				
Circuit protection	Reverse polarity (input protected) Transients, MIL-STD-704 Electromagnetic compatibility (EMC), MIL-STD-461,462				



Ordering Guide		
Listing	Description	Lead Length
310FW04-10	Normally open/Normally closed, current sinking	3.05 m
320FW04-5	Normally open/Normally closed, current sinking	1.52 m
390FW04A-10	Normally open/Normally closed, current sinking	3.05 m
330FW04A-1	Normally open/Normally closed, current sinking	203 mm