

## Interactive Catalog Replaces Catalog Pages

Honeywell Sensing and Control has replaced the PDF product catalog with the new **Interactive Catalog**. The **Interactive Catalog** is a power search tool that makes it easier to find product information. It includes more installation, application, and technical information than ever before.



**Click this icon to try the new  
Interactive Catalog.**

---

**Sensing and Control**

Honeywell Inc.

11 West Spring Street  
Freeport, Illinois 61032



SUNSTAR自动化 <http://www.sensor-ic.com/> TEL: 0755-83376489 FAX:0755-83376182 E-MAIL:szss20@163.com

# ZS-00341 SERIES

## ONE PART PRESSURE PROOF PROXIMITY SENSOR

### Description :

Environment-proof self-contained proximity sensor enclosed in a rugged hermetically sealed stainless steel housing, designed to meet the requirements of aerospace applications.

Operation by the Eddy Current Killed Oscillator (ECKO) principle, which is used to detect ferrous objects passing in front of the sensing face. Once a target metal is detected, a trigger signal is produced which is then passed through the output conditioning circuitry to give a high or low output, depending on the sensor application.

### Features :

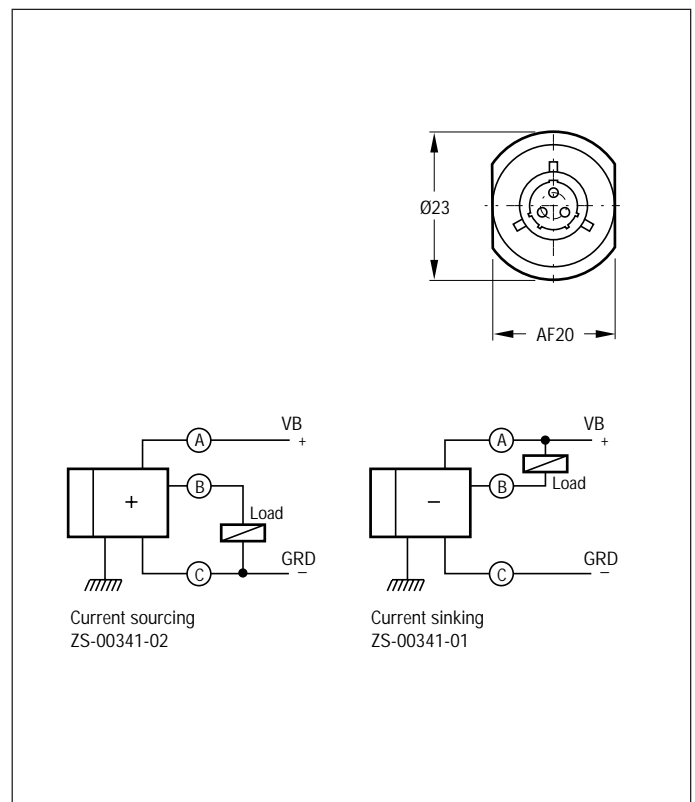
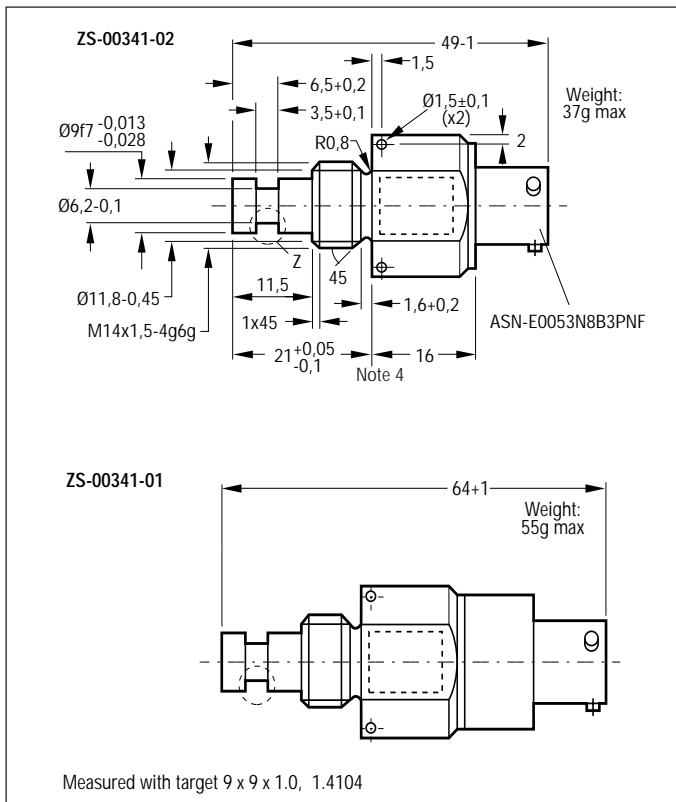
- Ferrous metal sensing
- All stainless steel construction including sensing face and laser welded connector
- High pressure capability up to 205 bar (system pressure)
- High level EMC and lightning strike performance
- Mean Time Between Failure 126K hours

### Typical Applications :

- Aircraft hydraulic systems
- Fighting vehicle engine / transmission controls
- Ship and submarine hydraulic systems



Dimensions in mm (for reference only)



## Specifications

Sensing Characteristics :		Level		Specification (Note 1)	
	ZS-00341-01	ZS-00341-02	ZS-00341-01	ZS-00341-02	
Switching function	Normally open, current sink	Normally open, current source	Note 2		
Guaranteed actuation distance	≥ 0.8 mm	≥ 21.84 mm Note 4			
Guaranteed deactuation distance	≤ 1.5 mm	≤ 22.5 mm Note 4			
<b>Electrical Specifications :</b>					
<b>Power Supply -</b>					
Supply voltage	14 to 32.5 V		ABD 0013, 6-1, 6-2, 6-3-4		
Ripple voltage	≤ 1.4/0.01-200 kHz		ABD 0013, 6-4		
Surge voltage	46 V at 100 ms		ABD 0013, 6-3-1		
Voltage spikes	600 V at 5 μs		ABD 0013, 6-3-3		
Current consumption w/o load	< 10 mA				
Dielectric strength	> 500 V		ABD 0007, 2-3.7.1		
Insulation resistance	> 100 MOhm at 45 V		ABD 0007, 2-3.7.2		
Grounding resistance	≤ 10 mOhm at 100 mA	≤ 8 mOhm at 100 mA	ABD 0007, 2-3.8.3		
<b>Output -</b>					
On state output voltage	≤ 2.0 V at 0.12 A				
Load current	≤ 120 mA				
Off state leakage current	≤ 100 μA				
Overload protection	yes				
<b>Environmental Specifications :</b>					
Operating temperature range	-55° C to +90° C		RTCA/DO-160C, 4.3		
Survival temperature range	-55° C to +100° C		RTCA/DO-160C, 4.3		
Pressure proofness	(Note 3)		TS-301089	TS-6000770	
Hermeticity	category 4		ABD 0007, 3-18		
Altitude/pressure	-305 m to 13,060 m		ABD 0007, 3-3		
Humidity	category B		ABD 0007, 3-4.2		
Water	category R		ABD 0007, 3.5		
Salt spray	category S		ABD 0007, 3-7		
Sand/dust	category D		ABD 0007, 3-8		
Vibration	category 6		ABD 0007, 3-9.2		
Vibration spectrum code	D/R		ABD 0007, 3-9.2		
Operational shock	6 g/11 ms		ABD 0007, 3-11.1		
Constant acceleration	6.5 gn		ABD 0007, 3-12.3		
Fungi	category F		ABD 0007, 3-13		
Pollution	ABD 0007, 2-3.11.3 - 2-3.11.10		ABD 0007, 3-14		
Magnetic effects	category A		ABD 0007, 3-17.2		
<b>EMC Requirements :</b>					
AF conducted susceptibility	category A		RTCA/DO-160C, 18		
Induced signal susceptibility	category A		RTCA/DO-160C, 19		
RF susceptibility	category A		RTCA/DO-160C, 20		
RF emission	category A		RTCA/DO-160C, 21		
Lightning induced transient susceptibility	category M		RTCA/DO-160C, 22 ABD 0007, 3-22.1-4		
Mean Time Between Cycles prediction	200000	400000	TS-301089	TS-6000770	
<b>Notes :</b>					
1. Unless otherwise stated, tested to or by similarity to Honeywell internal specifications					
2. Refers to output switching element at remote target condition					
3. System pressure 206 +3 bar/proof pressure 313 bar/burst pressure 418 bar					
4. Reference is housing datum surface					
<b>Ordering guide</b>					
<b>Listing</b>		<b>Description</b>			
ZS-00341-01		Normally open, current sinking			
ZS-00341-02		Normally open, current sourcing			