

## The MICRO SWITCH Technology Advantage: A complete family of high performance compact limit switches – globally developed and globally supported.



Miniature GLS  
(Global Limit Switch) Series

### Designed for global applications.

- Jointly developed and manufactured by Honeywell teams worldwide
- Sales and service through Honeywell and GE/MICRO SWITCH Control Inc. locations globally
- Designed to CENELEC EN50047 standards for truly global application adaptability
- Modular construction helps contain maintenance inventories and associated costs
- Available in 3-conduit version (CENELEC EN50047 mounting compatible)
- Positive opening contact conforms to IEC947-5-1 safety requirements
- UL listed, CSA certified, CE accepted

### Engineered to satisfy virtually any industrial application requiring a compact switch.

- **Triple-conduit switch available in single-pole or double-pole versions**
- Complete range of actuator heads and levers
- Connectorized versions available
- Available in metal or double insulated housing (3-conduit version available in metal housing only)
- Sealing to IP66/NEMA 4
- Two-circuit bifurcated contact versions allow direct PLC interface
- Snap-action or slow-action mechanisms available
- Galvanically isolated contacts with gold-plated contacts available

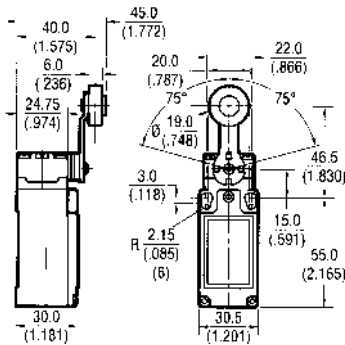
### Typical applications:

- Material handling equipment: conveyors, elevators, cranes and hoists
- Packaging machinery
- Lift trucks
- Transfer lines
- Process equipment
- Textile machinery

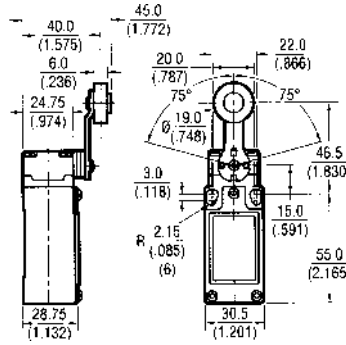
Quality solutions from the worldwide leader in advanced switching and sensing technology. **For more information, call Honeywell's MICRO SWITCH Division at 800-537-6945. (In Canada: 416-297-4230)**

# Miniature GLS (Global Limit Switch) Series

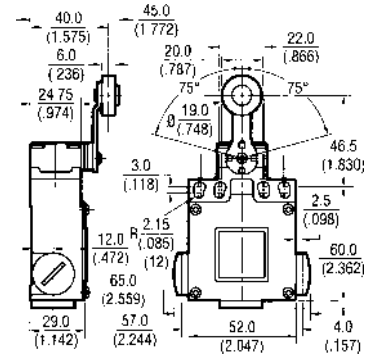
**Double Insulated Standard Body**  
GLD Type



**Metal Standard Body**  
GLC Type



**3-Conduit Standard Body**  
(metal only) GLE Type



## Technical Data

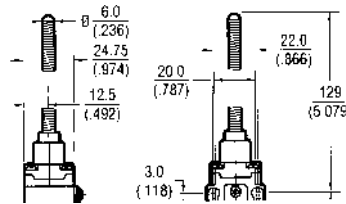
### ELECTRICAL

According to IEC947-5-1  
EN60947-5-1  
Rated thermal current:  $I_{th} = 10 A$   
Rated insulation voltage:  $U_i = 600 \text{ Vac (GLD)}$   
 $= 300 \text{ Vac (GLC, GLE)}$   
 $= 300 \text{ Vac (GLC, GLD, GLE)}$   
Impulse voltage:  $U_{imp} = 2.5 \text{ kV}$   
Contact resistance:  $< 25 \text{ m}\Omega$   
Operational rating:  
AC15:  $U_e = 600 \text{ V}; I_e = 1.2 \text{ A}$   
 $U_e = 240 \text{ V}; I_e = 3 \text{ A}$   
 $U_e = 120 \text{ V}; I_e = 6 \text{ A}$   
DC13:  $U_e = 250 \text{ V}; I_e = 0.27 \text{ A}$   
 $U_e = 24 \text{ V}; I_e = 2.8 \text{ A}$   
Electrical protection:  
class I according to IEC536  
metal housed series  
class II according to IEC536  
thermoplastic housed series  
(double insulation)  
UL/CSA rating:  
A300/Q300 (GLC, GLE)  
A600 (GLD)

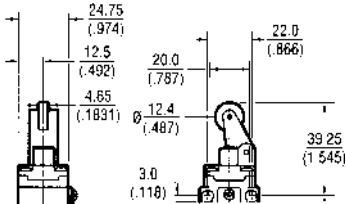
### MECHANICAL

Protective class: IP66  
NEMA 4 (GLD type not intended for outdoor use)  
Mechanical life: Up to  $15 \times 10^6$  ops max (6000 ops/hour max)  
Temperature: Operation  $-25^\circ\text{C}$  to  $+85^\circ\text{C}$   
Storage  $-40^\circ\text{C}$  to  $+85^\circ\text{C}$   
Terminal identification: Numbering to EN50013  
Head & housing material: GLC, GLE - metal  
GLD - thermoplastic  
Standards: IEC947-5-1  
CENELEC EN50047 (GLC, GLD)  
GLE type is CENELEC EN50047 mounting compatible

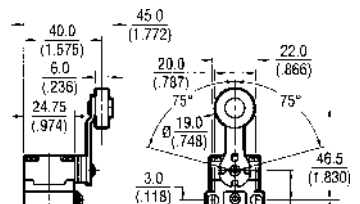
### Wobble head



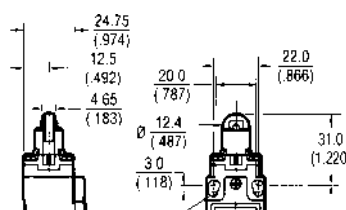
### Roller arm



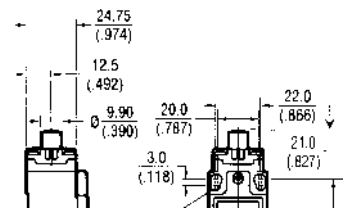
### Side rotary head (steel roller)



### Top roller plunger head



### Top pin plunger head



As part of GE/MICRO SWITCH Control Inc. – a joint venture of Honeywell's MICRO SWITCH Division and GE Electrical Distribution & Control – our salespeople can provide molded-case circuit breakers, transformers, pushbuttons, motor starters, PLCs and drives to help you complete your production line control system.

**Honeywell**

Helping You Control Your World

### MICRO SWITCH

Honeywell Inc.  
11 West Spring Street  
Freeport, Illinois 61032  
U.S. 1-800-537-6945 Canada 1-416-293-8111

SUNSTAR自动化 <http://www.sensor-ic.com/> TEL: 0755-83376489 FAX:0755-83376182 E-MAIL:szss20@163.com

