

MiniDyn

Type 9256C...

Multicomponent Dynamometer up to 250 N

Multicomponent dynamometer for measuring the three orthogonal components of a force. Its very low threshold allows measuring extremely small forces.

- For cutting force measurements in ultra precise machining
- Small design
- High sensitivity and natural frequency
- Small temperature error
- Top plate made of titanium



Type 9256C2

Description

The dynamometer consists of four 3-component force sensors mounted under high preload between the cover plate and the two lateral base plates.

A low temperature error is obtained by this special mounting of the sensors. Each force sensor contains three crystal rings, of which one is sensitive to pressure in the y-direction and the two others to shear in the x- and z-directions. The forces are measured practically without displacement.

The outputs of the four mounted force sensors are fed to the 7-pole flanged socket. There are also multicomponent force-moment measurements possible.

The four sensors are fitted so that they are ground-isolated. This largely eliminates ground loop problems.

The dynamometer is corrosion-resistant and protected against penetration by splashing water or cutting fluid. The dynamometer including connecting cable Type 1696A5 or Type 1697A5 meets the degree of protection IP67.

Examples of Application

- Cutting force measurement in precision machining such as:
 - cutting wafers
 - grinding hard-disk read heads
 - diamond turning
 - high speed machining
 - micromachining
- Ultra-high precision machining of brittle hard materials
- Multicomponent force measurement of small forces
- Force measurement in confined spaces

Technical Data

Measuring range	F_x, F_y, F_z	N	-250 ... 250
Type 9256C1	M_x, M_z	N·m	-8 ... 8
Type 9256C2	M_x, M_z	N·m	-11 ... 11
Calibrated measuring range			
100 %	F_x, F_y, F_z	N	0 ... 250
10 %	F_x, F_y, F_z	N	0 ... 25
Overload	F_x, F_y, F_z	N	-300/300
Threshold		N	<0,002
Sensitivity	F_x, F_z	pC/N	≈-26
	F_y	pC/N	≈-13
Linearity, all ranges		%FSO	≤±0,4
Hysteresis, all ranges		%FSO	≤0,5
Crosstalk		%	≤±2
Rigidity	c_x, c_z	N/μm	>250
	c_y	N/μm	>300
Natural frequency (mounted on rigid base)			
Type 9256C1	$f_n (x)$	kHz	≈5,1
	$f_n (y)$	kHz	≈5,5
	$f_n (z)$	kHz	≈5,6
Type 9256C2	$f_n (x)$	kHz	≈4,0
	$f_n (y)$	kHz	≈4,8
	$f_n (z)$	kHz	≈4,6
Operating temperature range		°C	0 ... 70
Insulation resistance		Ω	>10 ¹³
Ground isolation		Ω	>10 ⁸
Degree of protection EN60529 (with connecting cable Type 1696A5/1697A5)			IP67
Weight			
Dynamometer	Type 9256C1/C2	kg	0,75/0,87
Top plate	Type 9256C1/C2	kg	0,24/0,36
Clamping area			
Type 9256C1		mm	39x80
Type 9256C2		mm	55x80

Dimensions MiniDyn Type 9256C...

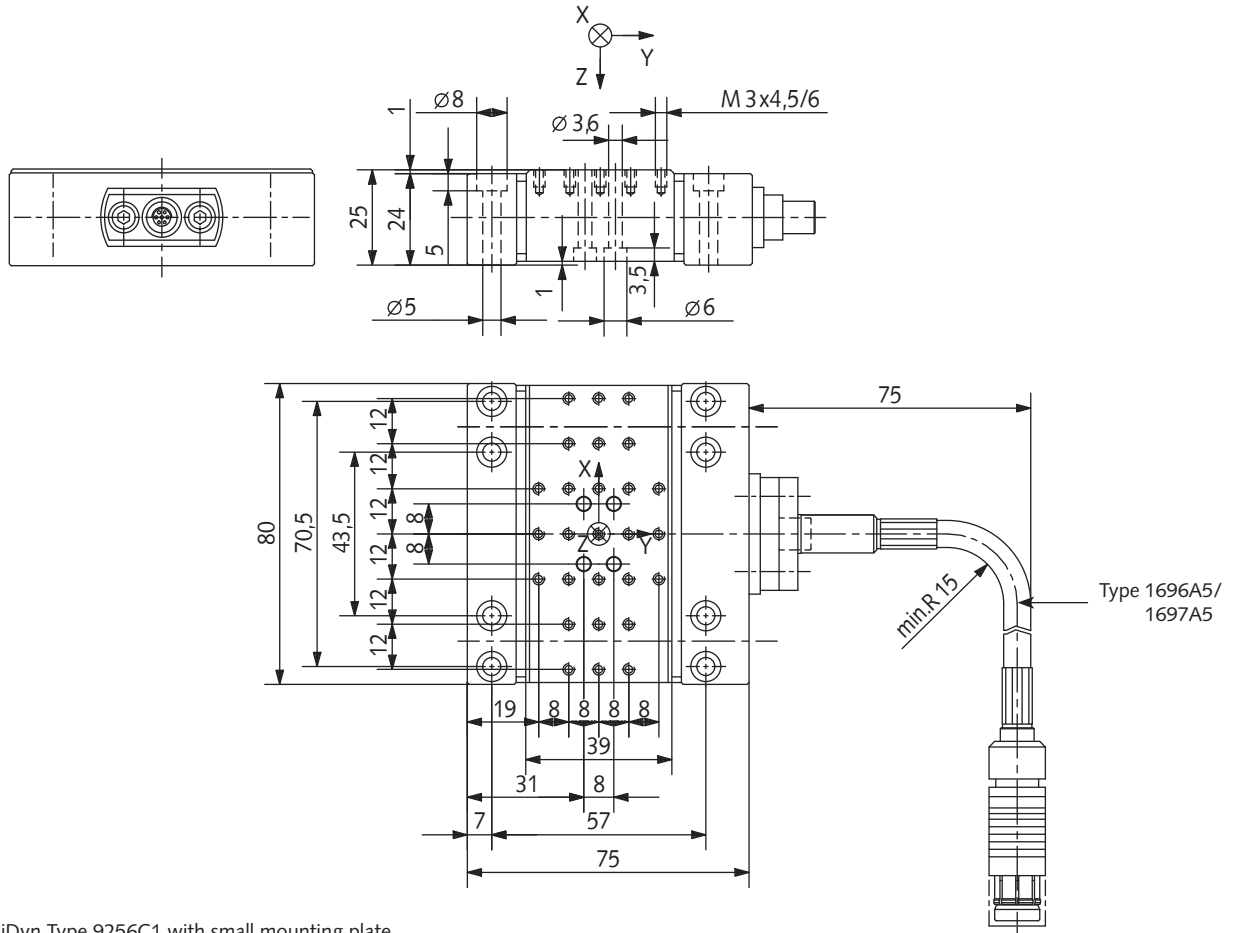


Fig. 1: MiniDyn Type 9256C1 with small mounting plate

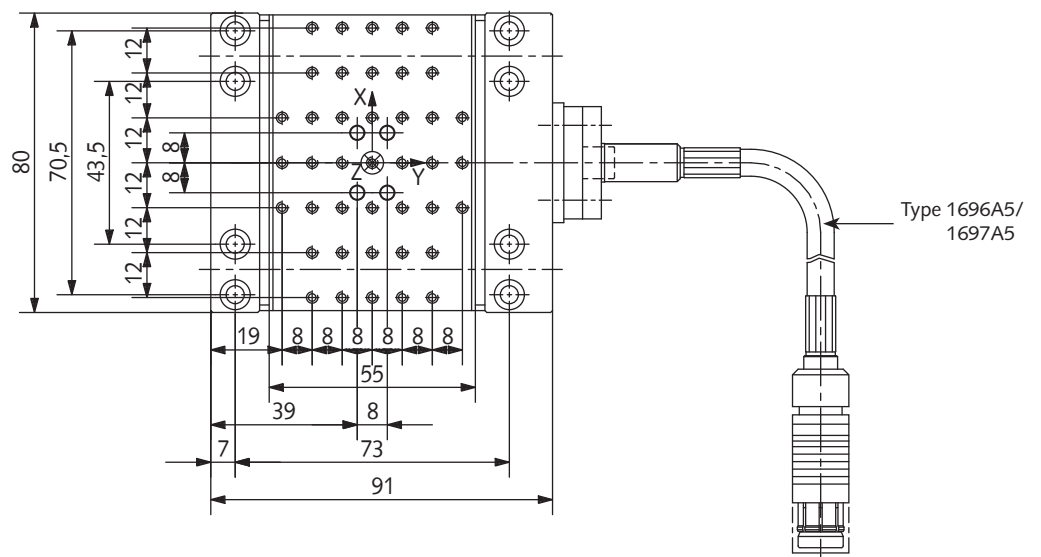


Fig. 2: MiniDyn Type 9256C2 with large mounting plate

9256C_000-484e-08.10

Mounting

The dynamometer can be mounted with screws or clamps to any face-ground, clean mounting surface such as on a machine tool table. The measuring instrument can also be mounted on a magnetic plate. It must be noted that uneven contact surfaces may cause internal distortions, placing additional heavy stresses on the individual measuring elements and increasing the cross talk.

There are M3 tapped blind holes in the mounting plate for clamping the force-introducing components such as workpieces or toolholder. The contact surfaces of the force-introducing parts must be surface ground to achieve good mechanical coupling to the mounting plate.

Electronics

A 3-component force measuring system requires, in addition to the dynamometer, a charge amplifier, which convert the charge signals of the dynamometer into output voltages, which are proportional to the forces occurring.

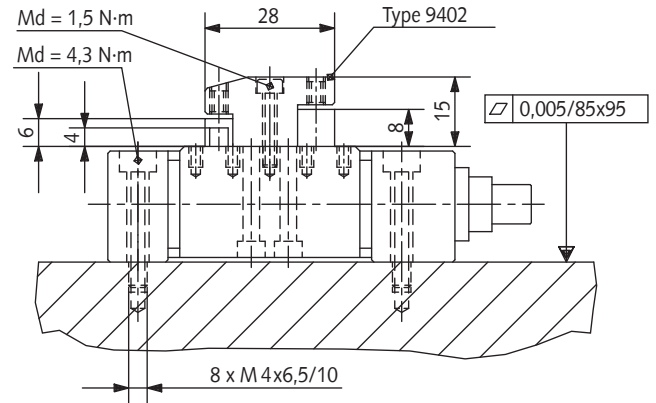
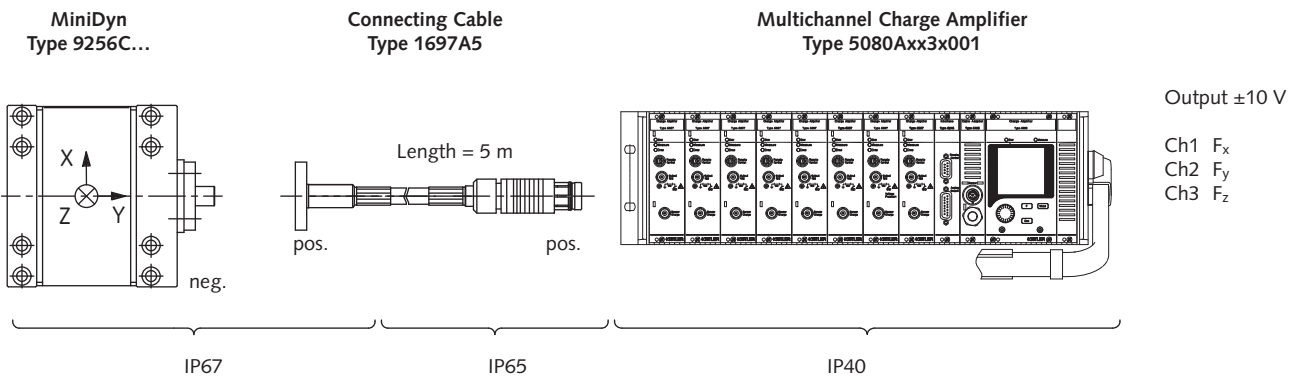


Fig. 3: Mounting the dynamometer

Measuring System for 3-Component Measurement F_x , F_y , F_z



Output ± 10 V

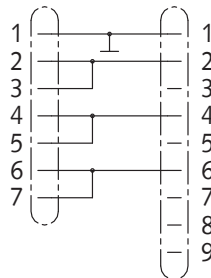
- Ch1 F_x
- Ch2 F_y
- Ch3 F_z

Degree of protection EN60529

Fig. 4: Measuring system for 3-component measurement F_x , F_y , F_z

9256C_000-484e-08.10

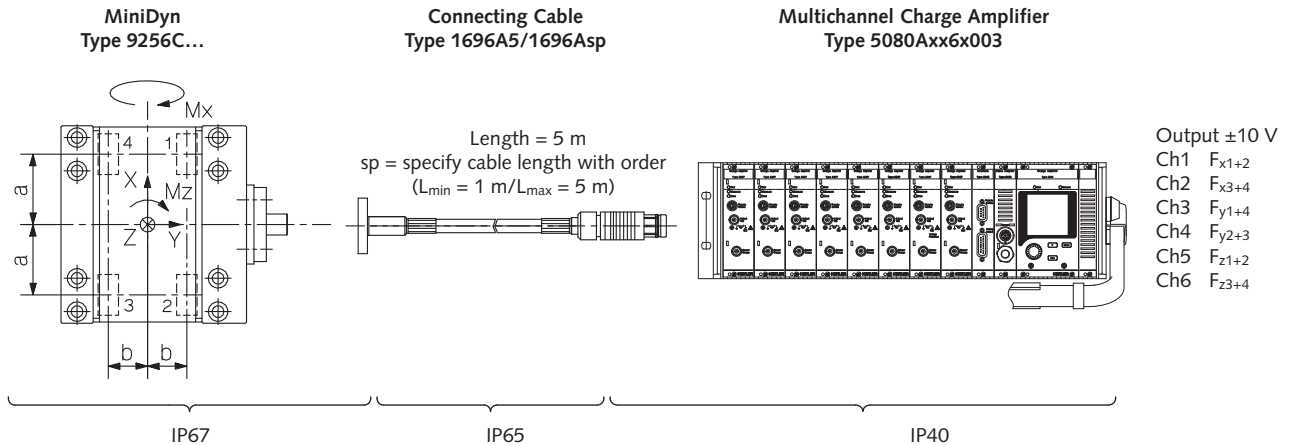
Input Signals	Pin No.
Ground	1
X1 + 2	2
X3 + 4	3
Y1 + 4	4
Y2 + 3	5
Z1 + 2	6
Z3 + 4	7



Pin No.	Output Signals
1	Ground
2	F_x
3	-
4	F_y
5	-
6	F_z
7	-
8	-
9	-

Fig. 5: Cable diagram connecting cable Type 1697A5

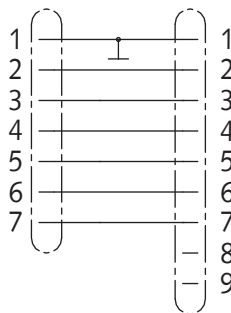
Measuring System for 5-Component Measurement F_x, F_y, F_z, M_x, M_z



Degree of protection EN60529

Fig. 6: Measuring system for 5-component measurement F_x, F_y, F_z, M_x, M_z

Input Signals	Pin No.
Ground	1
X1 + 2	2
X3 + 4	3
Y1 + 4	4
Y2 + 3	5
Z1 + 2	6
Z3 + 4	7



Pin No.	Output Signals
1	Ground
2	F_x 1+2
3	F_x 3+4
4	F_y 1+4
5	F_y 2+3
6	F_z 1+2
7	F_z 3+4
8	-
9	-

Fig. 7: Cable diagram connecting cable Type 1696A5

Calculations

$$F_x = F_{x1+2} + F_{x3+4}$$

$$F_y = F_{y1+4} + F_{y2+3}$$

$$F_z = F_{z1+2} + F_{z3+4}$$

$$M_x = b \cdot (F_{z1+2} - F_{z3+4})$$

$$M_z = b \cdot (-F_{x1+2} + F_{x3+4}) + a \cdot (F_{y1+4} - F_{y2+3})$$

a = Distance of the sensor axes from the y-axis
Type 9256C1 a = 28,5 mm
Type 9256C2 a = 28,5 mm

b = Distance of the sensor axes from the x-axis
Type 9256C1 b = 15,5 mm
Type 9256C2 b = 23,5 mm

Included Accessories

- Mounting screws (8 pieces M4x25)

Art. No.

6.120.015

Ordering Key

Type 9256C

Optional Accessories

for 3-Component Force Measurement F_x, F_y, F_z

- Connecting cable, 3 wires, l = 5 m
- Toolholder
- Charge amplifier

Type

1697A5
9402
5080A...

Dimensions 80x75 mm	1
Dimensions 80x91 mm	2

For 4/5-Component Force and Moment Measurement F_x, F_y, F_z, M_x, M_z

- Connecting cable, 6 wires, l = 5 m
- Charge amplifier

1696A5
5080A...

This information corresponds to the current state of knowledge. Kistler reserves the right to make technical changes. Liability for consequential damage resulting from the use of Kistler products is excluded.

©2003 ... 2010, Kistler Group, Eulachstrasse 22, 8408 Winterthur, Switzerland
Tel. +41 52 224 11 11, Fax +41 52 224 14 14, info@kistler.com, www.kistler.com
Kistler is a registered trademark of Kistler Holding AG.