

Analog Test Stand Electronics System

Type 5633A1

for Tire Test Stands for RoaDyn® S220, S260 and S5xT Measuring Hubs

The analog test stand electronics system Type 5633A1 is used in combination with RoaDyn S220, S260 and S5xT measuring hubs for instrumenting tire test stands. The individual measuring hub signals are amplified and output as separate voltage signals.

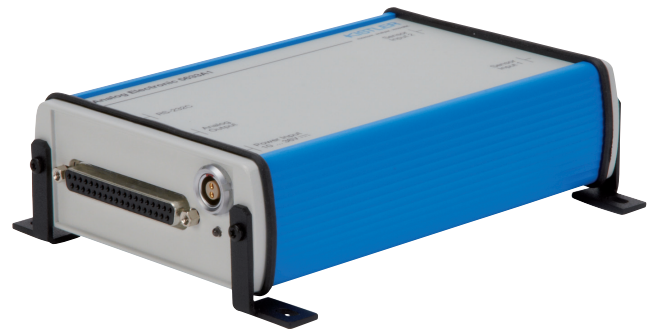
- Analog test stand electronics system for RoaDyn measuring hubs
- 24 channel
- Standard gain of 4 for signal output of ± 10 VDC per channel

Description

The measuring chain typically consists of measuring hub, connecting cable and analog test stand electronics system Type 5633A1. The 24 channel designs allow connection of measuring hubs with different numbers of load cells.

The analog test stand electronics system is mounted with four screws in an environment within the specifications. The system is connected to the measuring hub with connecting cable Type 1795A14 or 1795A24. It is connected to the customer's data acquisition system with an included D-Sub 37 pole pos. connector without cable to allow custom assembly.

A suitable power cable with two laboratory connectors is also included for the power supply. The analog test stand electronics system is set up via an RS-232C interface.



Data Input

Channels (max.)	number	24
Analog output	V	± 10 VDC
Connector	sensor input 1	Lemo EGG.2B.326.CLN
Connector	sensor input 2	Lemo EGG.2B.326.CLN

Data Output

Channels	number	24
Analog output (default gain: 4)	V	± 10 VDC
Signal output gain	x4	
Connector		D-Sub 37 pol. neg.
Max. length of connecting cable	m	25

Technical Data

Power supply	VDC	10 ... 36
Max. power consumption	W	12
Operating temperature range	°C	0 ... 50
Max. relative humidity (non-condensing)	%	<80
Weight	kg	0,5
Dimensions	mm	170x140x50
Degree of protection		IP40
Power connector		Lemo EGG.1B.302.CLL



Fig 1: Hub connection end

5633A1_000-979e-12.11

Dimensions

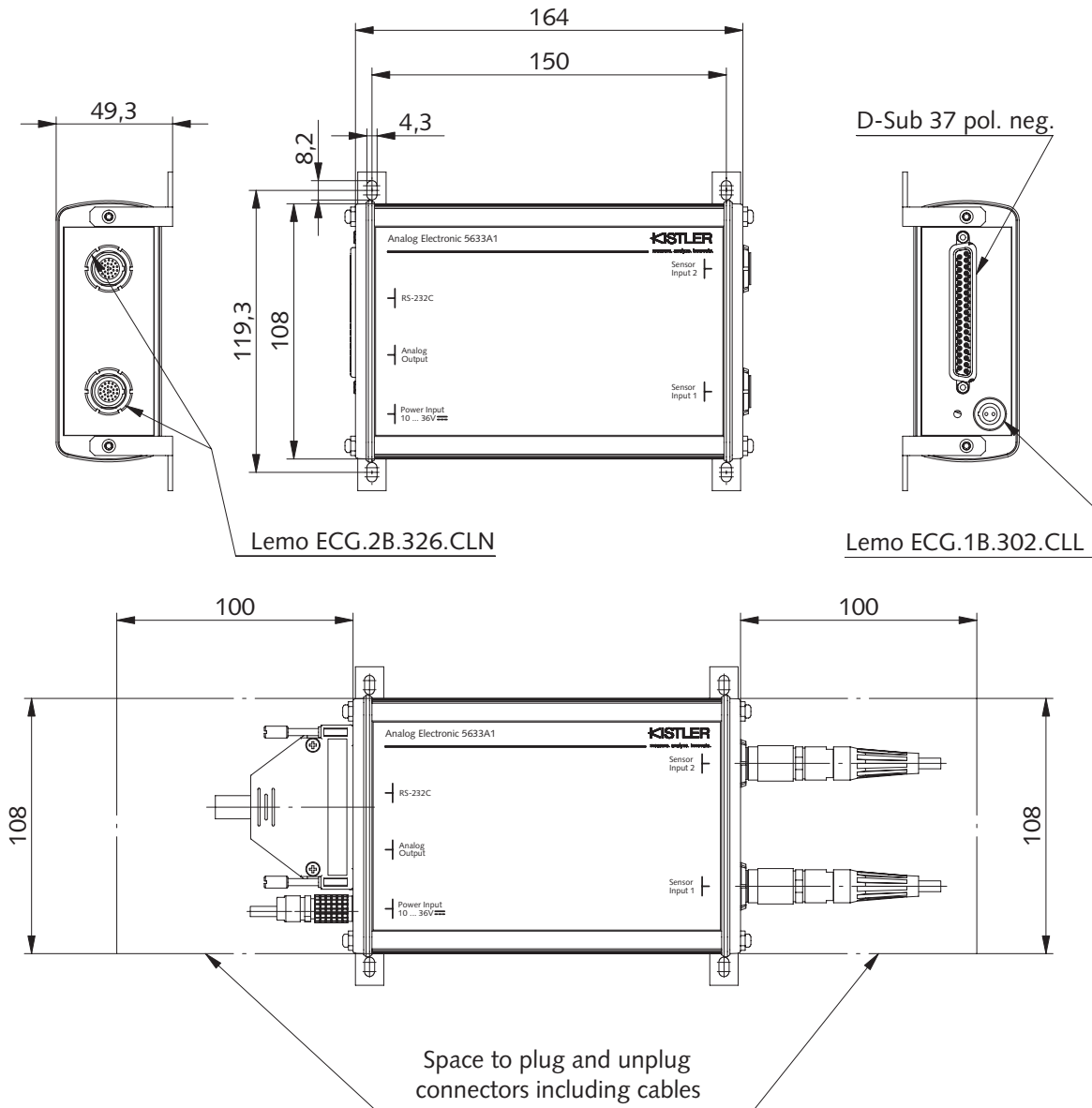


Fig. 2: Dimensions analog test stand electronics system Type 5633A1

5633A1_000-979e-12.11

Included Accessories

- Power cable, l = 10 m
 (Lemo – 2 x laboratory connectors)
- Connector: D-Sub 37 pole pos.
 without cable to allow custom assembly

Type/Art. No.

- 65009982
- 65016032

Ordering Code

- Analog test stand electronics system for
 tire test stands for RoadDyn S220, S260
 and S5xT measuring hubs

Type 5633A1

Optional Accessories

- Hub connection cable, l = 4 m,
 with straight connector
- Hub connection cable, l = 4 m,
 with angled connector

Type/Art. No.

- 1795A14
- 1795A24