

SPECIFICATION SHEET FOR H₂S SENSOR TYPE H2S/SD-20000**PERFORMANCE CHARACTERISTICS**

Nominal Range	0 – 20'000 ppm
Maximum Overload	30'000 ppm
Expected Operation Life	2 years in air
Output Signal	10 ± 5 nA/ppm
Resolution	20 ppm
Temperature Range	- 20 °C to 40 °C
Pressure Range	Atmospheric ¹⁾
Pressure Coefficient	No data
T ₉₀ Response Time	< 60 sec
Relative Humidity Range	15 % to 90 % R.H. non-condensing
Typical Baseline Range (pure air, 20°C)	< 20 ppm
Maximum Zero Shift (+20°C to +40°C)	20 ppm
Expected Long Term Output Drift	< 2 % signal loss/month
Recommended Load Resistor	10 Ohm
Bias Voltage	Not recommended
Repeatability	< 2 % of signal
Output Linearity	Linear

CROSS-SENSITIVITY DATA

Interfering Gas	Concentration	Reading
CO	100 ppm	< 1 ppm
SO ₂	50 ppm	0 ppm
NO	35 ppm	< 2 ppm
NO ₂	5 ppm	~ - 1 ppm
HCl	20 ppm	0 ppm
H ₂		< 1 ppm

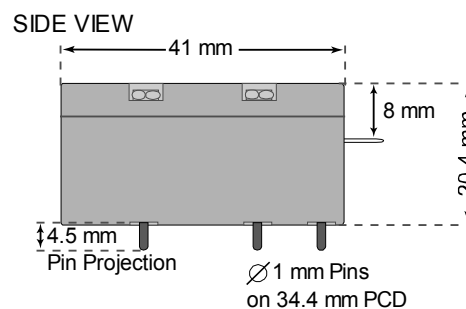
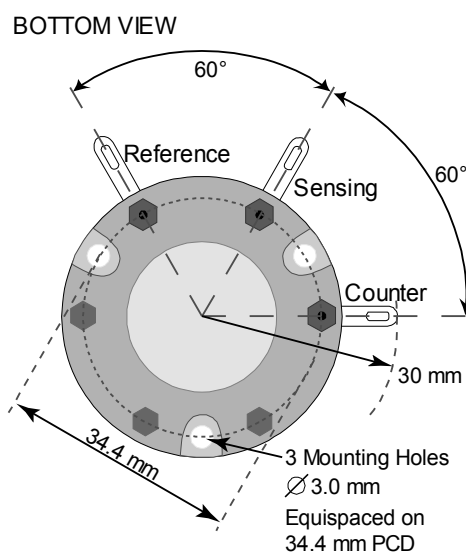
Performance data conditions:
20 °C, 50% RH and 1013 mbar

APPLICATIONS

For high H₂S-concentrations in discontinuous mode

PHYSICAL CHARACTERISTICS

Weight	~ 32 g
Position Sensitivity	None
Storage Life	Six months in container
Recommended Storage Temperature	5 °C – 20 °C
Warranty Period	12 months from date of dispatch

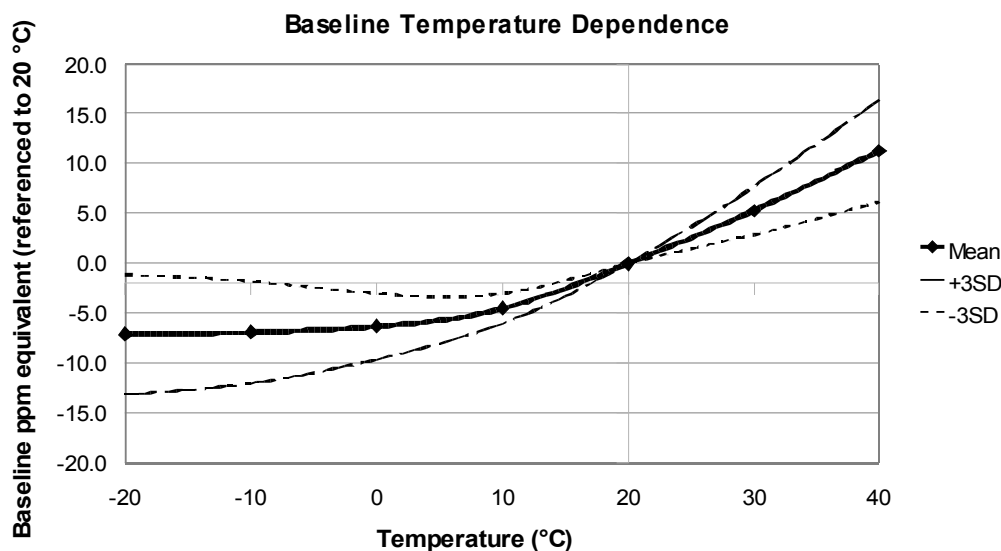
Standard-Size Outline Dimensions

SPECIFICATION SHEET FOR H₂S SENSOR TYPE H2S/SD-20000

TEMPERATURE DEPENDENCE

The output of a D-type sensor varies with temperature individually. It is recommended to determine it for each sensor. At temperatures > 40 °C the sensitivity can change permanently.

The shift in baseline is shown in ppm referenced to 20 °C.



The data contained in this document is for guidance only. Membrapor AG accepts no liability for any consequential losses, injury or damage resulting from the use of this document or the information contained within it. The data is given for guidance only. Customers should test under their own conditions, to ensure that the sensors are suitable for their own requirements.