

FN3030 Load Cell Tension and Compression



- S- Beam Load Cell
- 50 to 100,000 N (10 to 20,000 Lbf)
- Stainless Steel or Aluminum
- Cable Gland or Connector Output
- Built In Amplifier per Request

DESCRIPTION

The FN3030 measures tension and compression in standard ranges from 0-50 N to 0-100,000 N. The FN3030 is well suited for customization in industrial applications and protection levels can be upgraded for use in hostile environments. Additionally, for high-level output a model with integrated amplifier is available.

With many years of experience as a designer and manufacturer of sensors, Measurement Specialties often works with customers to design or customize sensors for specific uses and testing environments.

To meet your needs we also offer complete turnkey systems. The matched components (sensor, power, amplifier and digital display) are formatted, calibrated and ready for immediate use.

FEATURES

- Tension and Compression
- Optional Rod Ends
- Accuracy : 0.1% F.S.
- High Level Output Model with Integrated Amplifier
- Low Cost

APPLICATIONS

- Process control equipment
- Weighing calibration tool
- Robotics and effectors
- Laboratory and Research

STANDARD RANGES

F.S. Ranges in N	50	100	200	500	1K	2K	5K	10K	20K	50K	100K
F.S. Ranges in Lbf	10	20	40	100	200	400	1K	2K	4K	10K	20K
Stiffness in N/m	8.1x10 ⁵	1.3x10 ⁶	2.2x10 ⁶	1.4x10 ⁷	2.1x10 ⁷	2.9x10 ⁷	7.8x10 ⁷	9.3x10 ⁷	1.3x10 ⁸	2.0x10 ⁸	3.0x10 ⁸
Stiffness in Lbf/ft	5.5x10 ⁴	9.2x10 ⁴	1.5x10 ⁵	9.5x10 ⁵	1.4x10 ⁶	1.9x10 ⁶	5.3x10 ⁶	6.3x10 ⁶	8.9x10 ⁶	1.3x10 ⁷	2.0x10 ⁷
Material	Aluminum						Stainless steel				

FN3030 Load Cell Tension and Compression

PERFORMANCE SPECIFICATIONS

Ambient Temperature: 20±1°C (unless otherwise specified)

PARAMETERS

Operating Temperature Range (OTR)	-20 to +80°C (-4 to 176°F)
Compensated Temperature Range (CTR)	0 to +60°C (32 to 140°F)
Zero Shift in CTR	<0.5% F.S./50°C (100°F)
Sensitivity Shift in CTR	<2.10 ⁻⁴ / °C of reading (<1.10 ⁻⁴ / °F of reading)
Range (F.S.)	50 N to 100 kN (10 to 20 klbf)

Over-Range

Without Damage	1.5 x F.S.
Without Destruction	3 x F.S.

Accuracy

Combined Non-Linearity & Hysteresis	±0.1%F.S
-------------------------------------	----------

Electrical Characteristics

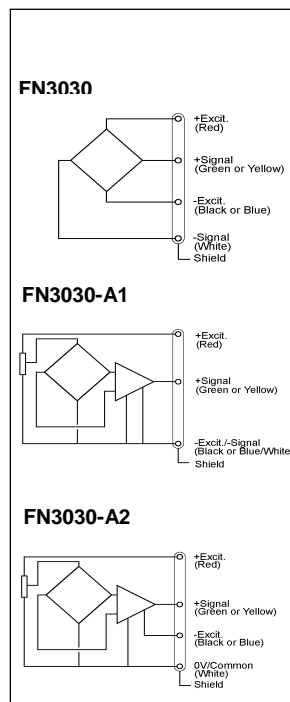
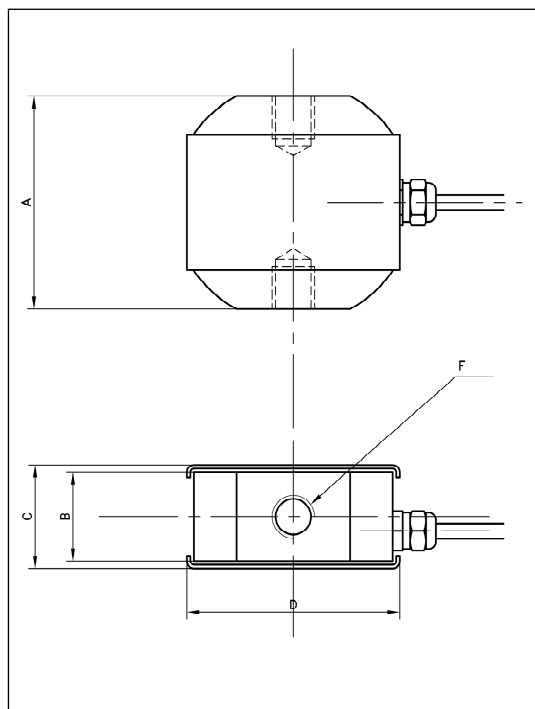
Model	FN3030	FN3030-A1	FN3030-A2
Supply Outage	10V	10–30Vdc	±15Vdc (±12 to ±18Vdc)
F.S. Output	±2mV/V	0.5 to 4.5Vdc	±5V
Zero Offset	<±5% F.S.	2.5V ±5% F.S.	0V ±5% F.S.
Input Impedance/Consumption	350 to 700Ω	<50mA	<50mA
Output Impedance	350 to 700Ω	<10Ω	<10Ω
Insulation under 50Vdc	≥100MΩ	≥100MΩ	≥100MΩ

Notes

1. Electrical Termination: Cable gland termination; 2 m cable length standard
2. Material: Body in stainless steel or aluminum alloy depending on F.S., with stainless steel cover
3. Protection Index: IP50 (other levels available on request)

FN3030 Load Cell Tension and Compression

DIMENSIONS & WIRING SCHEMATIC (IN METRIC AND IMPERIAL)



Dimensions in mm [inch]

F.S. Ranges in N [Lbf]	50 - 100 - 200 [10 - 20 - 40]		500 - 1K - 2K [100 - 200 - 400]		5K - 10K [1K - 2K]		20K [4K]		50K [10K]		100K [20K]	
A	60	[2.36]	60	[2.36]	60	[2.36]	75	[2.95]	110	[4.33]	130	[5.12]
B	25	[0.98]	25	[0.98]	25	[0.98]	30	[1.18]	40	[1.57]	55	[2.17]
C	29	[1.14]	29	[1.14]	29	[1.14]	34	[1.34]	40	[1.57]	55	[1.77]
D	60	[2.36]	60	[2.36]	60	[2.36]	60	[2.36]	80	[3.15]	110	[4.33]
F (Thread)	M6 depth 6		M12 depth 12		M12 depth 12		M16x2 depth 16		M20x1.5 depth 20		M32x2 depth 32	
Material	Aluminum					Stainless steel						

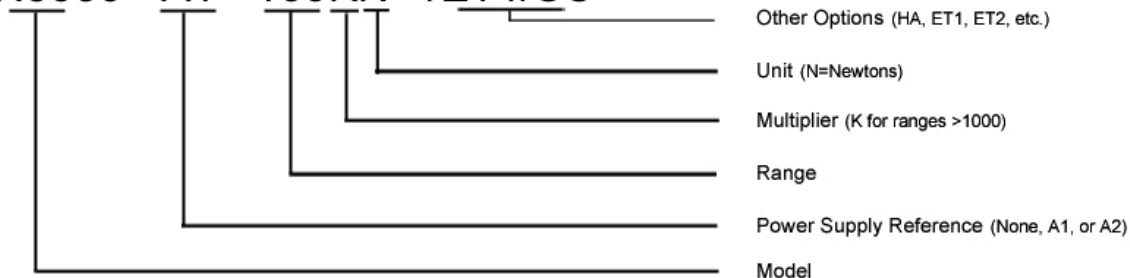
FN3030 Load Cell Tension and Compression

OPTIONS

A1 : Unipolar Tension
A2 : Bipolar Tension (ex.±15Vdc)
ET1 : CTR -20 to 100 °C OTR = CTR
ET2 : CTR -40 to 120 °C OTR = CTR
ET3 : CTR -40 to 150 °C OTR = CTR (Note : ET3 not available with A1 and A2 options)
HA : Accuracy (CNL&H) ≤ ±0.05% F.S. (for models ≤10kN)
SC : Connector output instead of standard cable gland
LC"x" : Additional cable length to standard length (in m) (Note : "X" = Custom value)

ORDERING INFO

FN3030 - A1 - 100KN - /ET1/SC



RECOMMENDED ACCESSORIES

ER : Rod Ends

The information in this sheet has been carefully reviewed and is believed to be accurate; however, no responsibility is assumed for inaccuracies. Furthermore, this information does not convey to the purchaser of such devices any license under the patent rights to the manufacturer. Measurement Specialties, Inc. reserves the right to make changes without further notice to any product herein. Measurement Specialties, Inc. makes no warranty, representation or guarantee regarding the suitability of its product for any particular purpose, nor does Measurement Specialties, Inc. assume any liability arising out of the application or use of any product or circuit and specifically disclaims any and all liability, including without limitation consequential or incidental damages. Typical parameters can and do vary in different applications. All operating parameters must be validated for each customer application by customer's technical experts. Measurement Specialties, Inc. does not convey any license under its patent rights nor the rights of others.