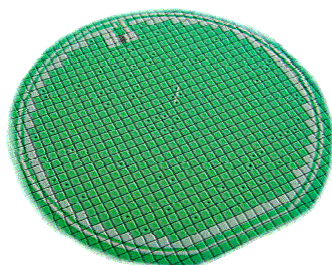


MS7305D LOW PRESSURE SENSOR DIE (0 to 5 kPa)



- 0 to 5 kPa (50 mbar or 0.73 PSI)
- Uncompensated differential pressure sensor die
- Piezoresistive silicon micromachined sensor
- High output signal 110mV
- Small size
- RoHS-compatible & Pb-free¹

DESCRIPTION

The MS7305D pressure sensor die is designed for low pressure sensor systems with the highest demands on resolution and accuracy. Its sensor element consists of a silicon micro-machined membrane bonded on a Pyrex™ glass support. The sensor signal is proportional to the pressure difference between back and front side of the membrane. The pressure is sensed by four implanted piezoresistors, giving a large output signal.

FEATURES

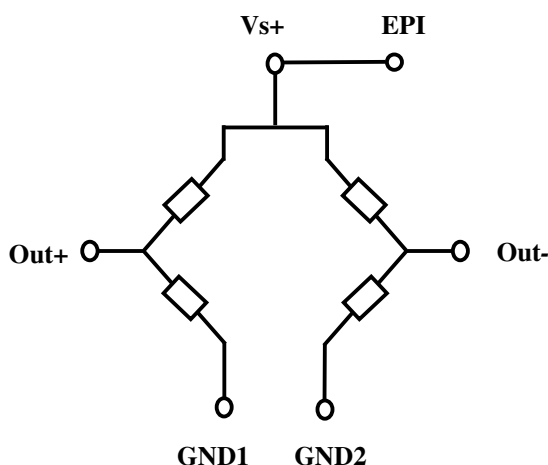
- Uncompensated differential pressure sensor die
- Output span 110 mV @ 5 V
- Temperature range -40 °C to +125 °C
- Typical linearity 0.3% (5kPa) or 0.1% (1kPa)
- Die size 2.45 mm x 2.45 mm
- Low cost, high reliability, low drift
- High pressure burst capability (600 kPa)

APPLICATION

- Washing machines
- Level indicators
- Industrial controls
- Leak detection

ELECTRICAL CONNECTIONS

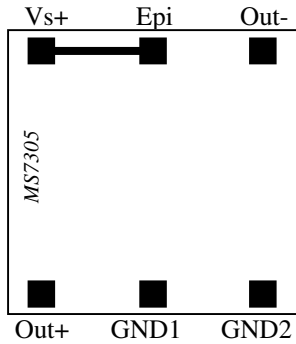
Positive output for pressure applied topside



- Vs+ : Supply voltage of Wheatstone bridge
- Epi : Connection of epitaxial layer (membrane)
- Out- : Negative output
- Out+ : Positive output
- GND1 : Ground
- GND2 : Ground

¹ The European RoHS directive 2002/95/EC (Restriction of the use of certain Hazardous Substances in electrical and electronic equipment) bans the use of lead, mercury, cadmium, hexavalent chromium and polybrominated biphenyls (PBB) or polybrominated diphenyl ethers (PBDE).

PAD OUT

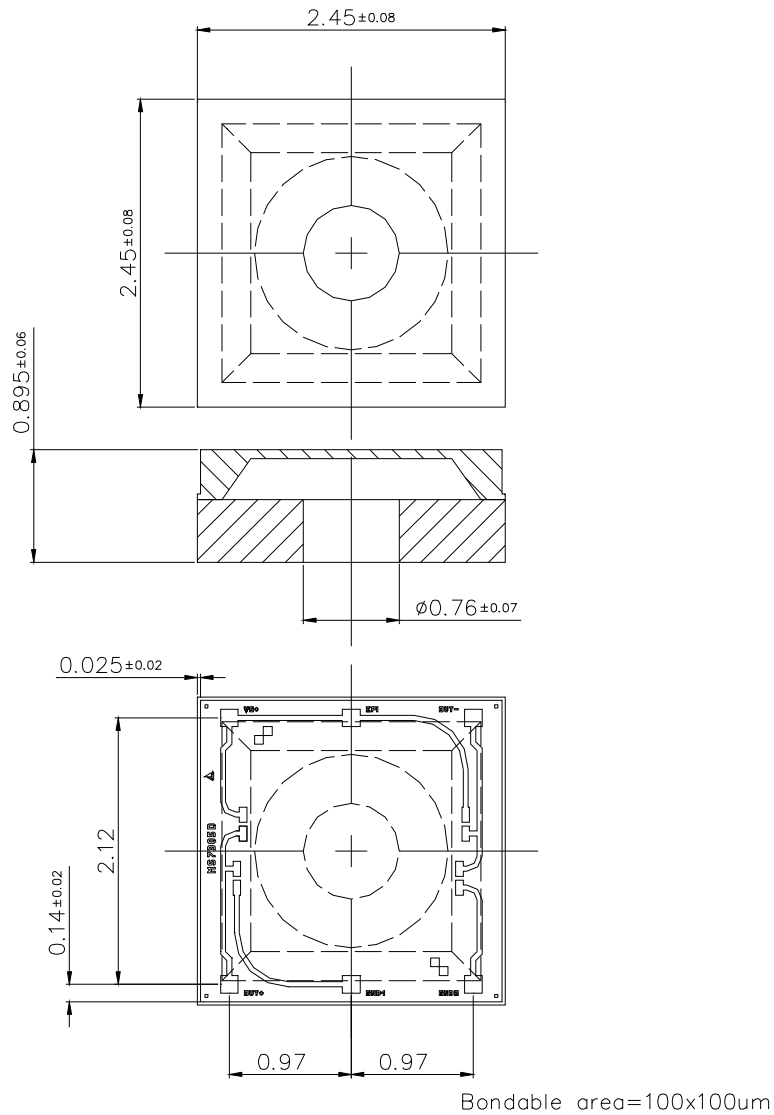


Important remarks:

As the sensing elements are diffused resistances, the voltage applied on the ground pads (GND1 and GND2) has to be lower than the voltage applied on supply voltage pad (Vs+).

The epitaxial layer is connected to the Vs+ pin on the die

LAYOUT



FULL SCALE PRESSURE

kPa	bar	mbar	PSI	atm	mm Hg	mm H ₂ O	Inches H ₂ O
5	0.05	50	0.73	0.0493	37.50	509.9	20.1

ABSOLUTE MAXIMUM RATINGS

Parameter	Symbol	Conditions	Min	Max	Unit
Supply voltage	VS+	Ta = 25 °C		12	V
Storage temperature	T _s		-40	+150	°C
Pressure overload				600	kPa

ELECTRICAL CHARACTERISTICS

(Reference conditions: Supply Voltage VS+ = 5 Vdc; Ambient Temperature Ta = 25 °C)

Parameter	Min	Typ	Max	Unit	Notes	
Operating Pressure Range	0	-	5	kPa		
Operating Temperature Range	-40		+125	°C		
Bridge Resistance	3000		3800	Ω		
Zero Pressure Offset	-40	0	40	mV		
Span (Full scale range)	5 kPa	85	110	130	mV	
	2 kPa	34	44	52	mV	
	1 kPa	17	22	26	mV	
Linearity (Full scale range)	5 kPa	±0.3	±0.5	%FS	1	
	2 kPa	±0.2	±0.3	%FS	2	
	1 kPa	±0.1	±0.2	%FS	3	
Temperature Coefficient of Resistance	+ 2500	+ 2900	+ 3400	ppm/°C	4	
	- 1600	- 1900	- 2200	ppm/°C		
	-80	-40	0	μV/°C		
Pressure hysteresis	-0.1		0.1	% FS	5	
Repeatability	-0.1		0.1	% FS	6	
Temperature hysteresis	-0.15		0.15	% FS	7	
Position sensitivity	0		0.15	% FS	8	
Response time		1.0		ms	9	
Warm-up time		1		s	10	

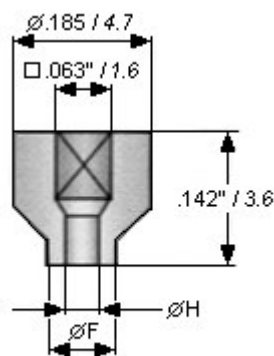
NOTES

- 1) Deviation at one half full-scale pressure from least squares best line fit over pressure range 0 to 5 kPa.
- 2) Deviation at 1 kPa from least squares best line fit over pressure range 0 to 2 kPa.
- 3) Deviation at 0.5 kPa from least squares best line fit over pressure range 0 to 1 kPa.
- 4) Slope of the endpoint straight line from 25 °C to 60 °C.
- 5) Output deviation at any pressure within the specified range, when this pressure is cycled to and from the minimum or maximum rated pressure, at 25 °C.
- 6) Same as 5) after 10 pressure cycles.
- 7) Maximum difference in offset after one thermal cycle from -40 °C to 125 °C.
- 8) Maximum difference in output at any pressure within the specified pressure range between the sensor being in upright position and in upside-down position.
- 9) 10% to 90% signal rise time for a 0 to 5 kPa pressure step change.
- 10) Time to reach an offset accuracy of 0.2% after switching on a supply voltage of 5V.

PICKING TOOLS

The MS7305D sensors have a sensitive membrane (1.5x1.5 mm) the sensor dice outer diameter is: 2.45x2.45 mm. The pick and place tool has to be of a soft material as rubber (Hardness 78-97 Shore A). Its external size must fit the sensor and the vacuum cavity must be as large as the membrane itself. Successful test were done with a tool of SPT (see SPT drawing and references below).

SPT reference	PCTR-A-100
External dimension	ØF: 0.1 inch / 2.54 mm
Internal dimension	ØH: 0.08 inch / 2.04 mm



PCTR/FCTR-A

ORDERING INFORMATION

Product Code	Product	Art.-Nr.
MS7305D	5 kPa Differential Low Pressure Sensor	730525121

The MS7305D dice are supplied sawn on blue foil, mounted on plastic rings

FACTORY CONTACTS

NOTICE

Intersema reserves the right to make changes to the products contained in this data sheet in order to improve the design or performance and to supply the best possible products. Intersema assumes no responsibility for the use of any circuits shown in this data sheet, conveys no license under any patent or other rights unless otherwise specified in this data sheet, and makes no claim that the circuits are free from patent infringement. Applications for any devices shown in this data sheet are for illustration only and Intersema makes no claim or warranty that such applications will be suitable for the use specified without further testing or modification.