



International Technologies

Dr. Gambert GmbH

Product Specification of:

O₂ - Medical Sensor

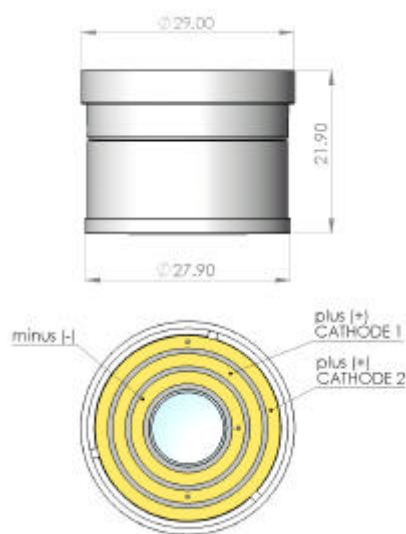
Type: M - 02

Part. No.: 41 00 02

Key Features: Dual-cathode gas sensor that shows high signal stability at low cross interferences to anesthesia gases combined with superior linearity over the entire range.

All characteristics are based on conditions at 25°C, 50% RH and 1013 hPa

Electrical Connector:	gold-plated slip rings
Measurement Range:	0 to 100 Vol.%
Nominal Sensor Life:	> 500,000 Vol.% h
Expected Operating Life:	< 3 years @ ambient air
Output Signal:	14.5 to 19.5 mV, dry ambient air, load 600 Ohm
Response Time t_{90} :	< 12 s
Drift:	< 1% volume O ₂ / month @ air
Operating Temperature:	0 to 40°C
Pressure Range:	750 to 1250 hPa
Linearity Error:	< 2% @ 100% O ₂ applied for 5 min,
Output Differential:	U ₁ -U ₂ < 10% < U ₁ + U ₂ @ 20% to 100% O ₂
Zero Offset Voltage:	= 200 µV in 100% N ₂ , applied for 5 min
Repeatability:	± 1% volume O ₂ @ 100% O ₂ , applied for 5 min
Influence of Humidity:	-0.03% rel. O ₂ reading / % RH
Recommended Load Resistor:	= 10 kOhm
Interferences:	according DIN EN 12598 and ISO 7767



Tolerance: ± 0.15 mm

Storage Conditions

Temperature Range:	recommended: 5 to 30°C maximum: -20 to 50°C
Humidity:	up to 100% RH
Shelf Life:	< 4 months recommended
Weight:	approximately 20 g
Material in contact with media:	PA, PPS, PTFE, stainless steel
Warranty Period:	12 months
Housing Colour:	white

This data sheet is subject to change without prior notice !

[M-02 Rev. 01-05.doc]

page 1 / 1

IT Dr. Gambert GmbH, Hinter dem Chor 21, 23966 Wismar, Germany

Tel.: +49 (0) 3841 22 00 50, Fax: +49 (0) 3841 22 00 522, sales@it-wismar.de, www.it-wismar.de

SUNSTAR自动化 <http://www.sensor-ic.com/> TEL: 0755-83376489 FAX:0755-83376182 E-MAIL: szss20@163.com