



# EC4-100-H2S

## Hydrogen Sulfide Electrochemical Sensor

### SENORTECH

#### PERFORMANCE

Range ..... 0 - 100 ppm  
 Maximum overload..... 500 ppm H<sub>2</sub>S  
 Sensitivity..... 600 - 1000 nA/ppm H<sub>2</sub>S  
 Zero in air at 20 °C..... <±0.6 ppm H<sub>2</sub>S  
 Resolution..... 0.1 ppm H<sub>2</sub>S  
 Linearity ..... linear across range  
 Response time, t<sub>90</sub>..... <35 s  
 Long-term output drift..... <2% signal/month  
 Warranty ..... 2 years

#### OPERATING CONDITIONS

Temperature range ..... -20 to +50 °C  
 Operating humidity..... 15 - 90% RH (non-condensing)  
 Pressure range ..... 90 - 110 kPa (nominal)  
 Operating circuit..... see Electrochemical Toxic Sensor Application Note  
 Applied potential ..... 0 V  
 Storage life..... 6 months in original packaging (0 - 25 °C)

#### PHYSICAL CHARACTERISTICS

Label colour ..... silver  
 Weight..... 5 g approx.  
 Dimensions ..... see outline

This device is designed to be RoHS compliant.

#### CROSS-SENSITIVITY DATA

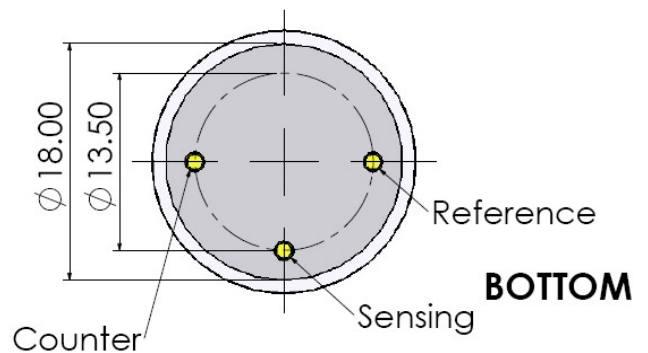
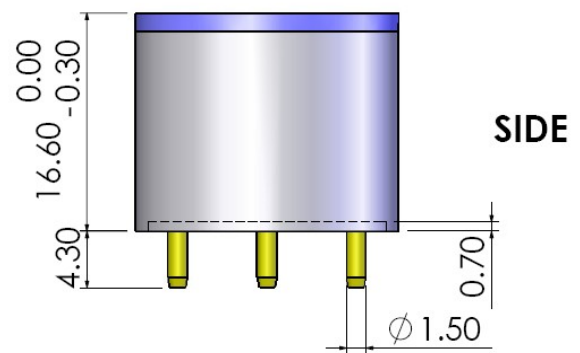
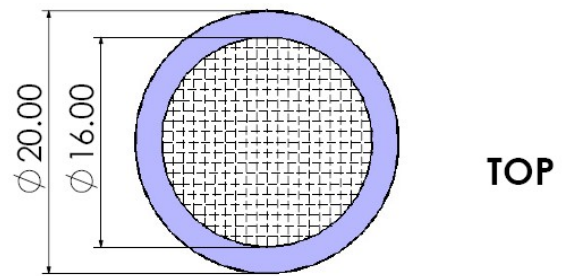
GAS	Concentration (ppm)	Sensor Response (As ppm H <sub>2</sub> S)
Carbon Monoxide	300	<1.5
Sulfur Dioxide	5	<1
Nitric Oxide	35	<0.7
Nitrogen Dioxide	5	<-1
Hydrogen	100	0

#### Important Note

Do not solder to the connector pins as this may damage the sensor and thereby invalidate the warranty.

Details on recommended connector pins can be found in the Frequently Asked Questions within the Gas Sensor section of the SGX website.

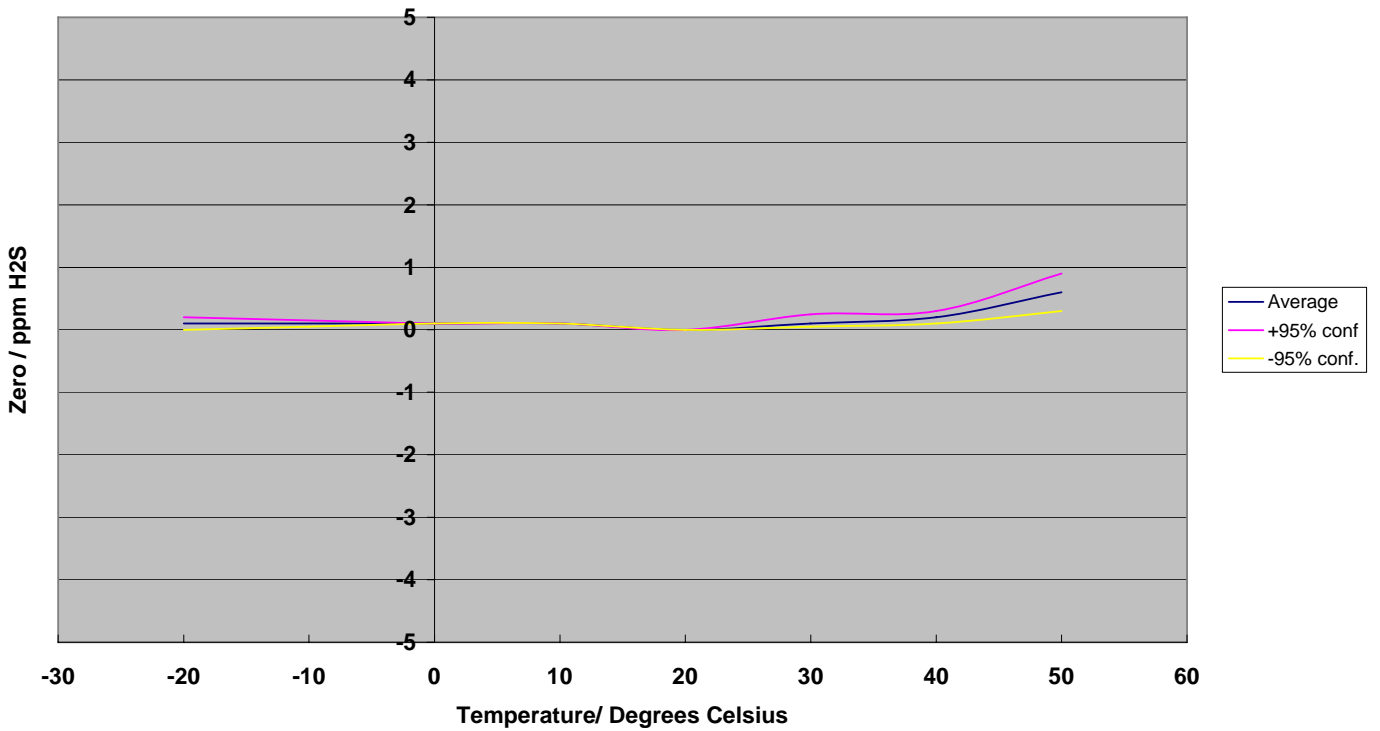
#### OUTLINE



All dimensions in mm.  
 All tolerances ±0.15mm unless otherwise stated.

## TEMPERATURE DEPENDENCE

### EC-4-100-H2S Graph of Zero vs Temperature



### EC-4-100-H2S Graph of Net Sensitivity vs Temperature

