

### PERFORMANCE

Range .....	0 - 2000 ppm
Maximum overload .....	10000 ppm
Sensitivity .....	21 - 64 nA/ppm NO
Zero in air at 20 °C .....	-1 to +67 ppm NO
Zero deviation (-20 to +50 °C) .....	-2 to +10 ppm NO
Resolution .....	0.5 ppm NO
Linearity .....	linear across range
Response time, t90 .....	<60 s
Long-term output drift .....	<2% signal/month
Warranty .....	2 years

### OPERATING CONDITIONS

Temperature range .....	-20 to +50 °C
Operating humidity .....	15 - 90% RH (non-condensing)
Pressure range .....	90 - 110 kPa (nominal)
Operating circuit .....	see Electrochemical Toxic Sensor Application Note
Applied potential .....	+300 mV
Storage life .....	6 months in original packaging (0 - 25 °C)

### PHYSICAL CHARACTERISTICS

Label colour .....	silver
Weight .....	5 g approx.
Dimensions .....	see outline

This device is designed to be RoHS compliant.

### CROSS-SENSITIVITY DATA

TBA

### TEMPERATURE DEPENDENCE

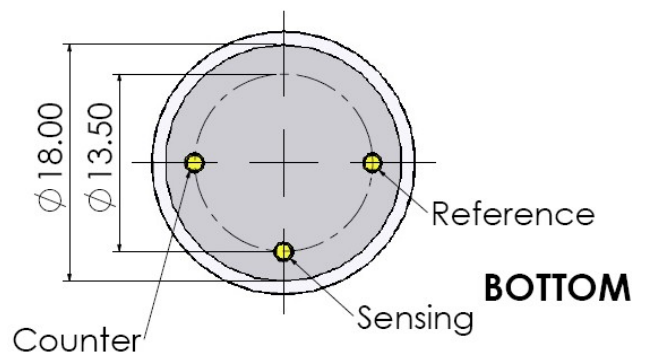
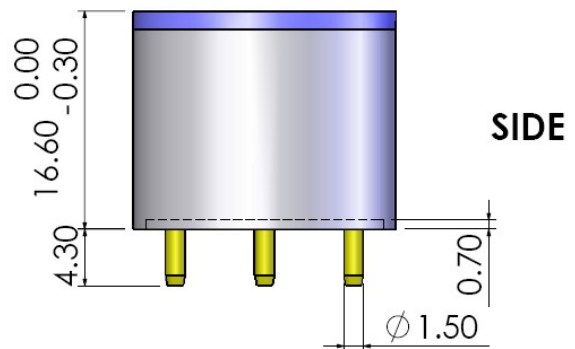
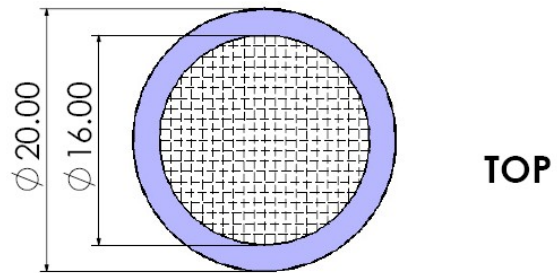
TBA

### Important Note

Do not solder to the connector pins as this may damage the sensor and thereby invalidate the warranty.

Details on recommended connector pins can be found in the Frequently Asked Questions within the Gas Sensor section of the e2v website.

### OUTLINE



All dimensions in mm.  
All tolerances  $\pm 0.15$ mm unless otherwise stated.

Whilst e2v technologies has taken care to ensure the accuracy of the information contained herein it accepts no responsibility for the consequences of any use thereof and also reserves the right to change the specification of goods without notice. e2v technologies accepts no liability beyond the set out in its standard conditions of sale in respect of infringement of third party patents arising from the use of tubes or other devices in accordance with information contained herein.

e2v technologies (uk) limited, Waterhouse Lane, Chelmsford, Essex CM1 2QU United Kingdom Telephone: +44 (0)1245 493493 Facsimile: +44 (0)1245 492492

e-mail: [enquiries@e2v.com](mailto:enquiries@e2v.com) Internet: [www.e2v.com](http://www.e2v.com) Holding Company: e2v technologies plc

e2v technologies inc. 520 White Plains Road, Suite 450, Tarrytown, NY10591 USA Telephone: (914) 592-6050 Facsimile: (914) 592-5148 e-mail: [enquiries@e2vtechnologies.us](mailto:enquiries@e2vtechnologies.us)

© e2v technologies (uk) limited 2009

A1A-764873 Version 2, October 2009

Template: DF764388A-2

SUNSTAR自动化 <http://www.sensor-ic.com/> TEL: 0755-83376489 FAX:0755-83376182 E-MAIL:szss20@163.com

107084