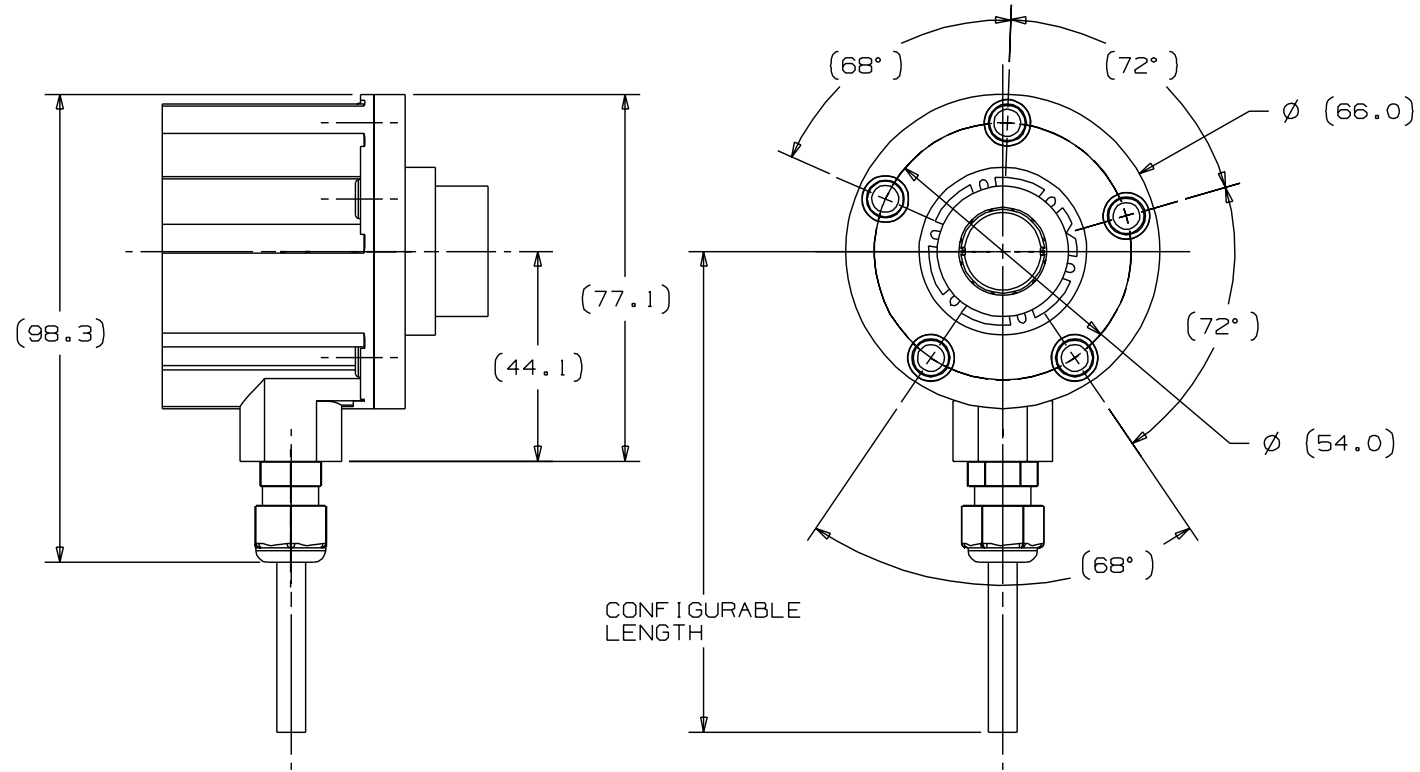
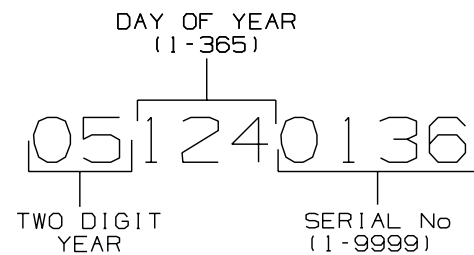


REV.	RN NO.	DATE	DESCRIPTION OF CHANGE	DRAWN	APP.
1	09-3196	07/15/09	INITIAL RELEASE	MMT	ABR

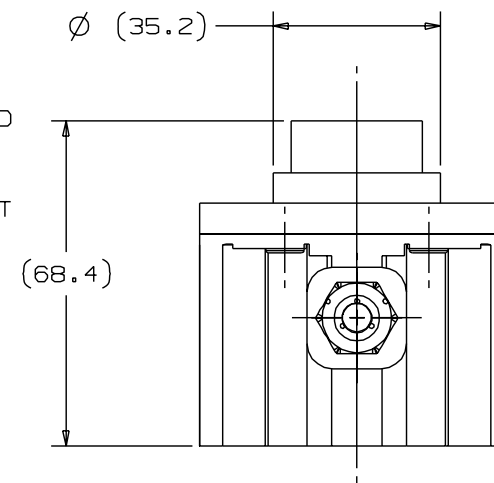


NOTES:

- 1) SENSOR FITS SAE J1810 BOLT PATTERN OR EQUIVALENT
- 2) PERSONALITY PROGRAM TO BE LOADED INTO PART AS REQUIRED
- 3) ASSEMBLY TO MEET TEST REQUIREMENTS PER 23680.1 SPI
- 4 PART NUMBER AND DATE CODE TO APPEAR ON STICKER ON UNIT
DATE CODE EXAMPLE:
051240136 = 136 th PART PRODUCED ON MAY 4, 2005



DESCRIPTION	COLOR
GROUND	GRAY
SUPPLY VOLTAGE	BROWN
SAE J1708/RS 485 DATA	GREEN
SENSOR VOLTAGE OUTPUT	YELLOW
SAE J1708/RS 485 DATA	WHITE



MILLIMETERS	
TOLERANCE	.0 .00
DIA. \pm	.2 .13
LINEAR \pm	.2 .13
ANGULAR \pm	1*
DO NOT SCALE PRINT	

THIS DRAWING REPRESENTS CONFIDENTIAL AND PROPRIETARY INFORMATION OF SSI TECHNOLOGIES INC AND SHALL NOT BE USED, ALTERED OR DISCLOSED IN WHOLE OR IN PART WITHOUT THE EXPRESS WRITTEN APPROVAL OF SSI TECHNOLOGIES INC. ANY USE OF THIS DRAWING SHALL BE SUBJECT TO SSI TECHNOLOGIES INC SUPPLIER QUALITY ASSURANCE SPECIFICATION 50A9001.



SSI Technologies, Inc.

A	B	C	D	E	F	G	H	J	K	L	M
N	P	Q	R	S	T	U	V	W	X	Y	Z

JOB ACU-TRAC		DO NOT SCALE		ASSEMBLY NO. - - - - -	
NAME SENSOR ASSEMBLY		3RD ANGLE PROJECTION		CUSTOMER I.D.	
MATERIAL SEE BOM		REFER TO ASME Y14.5M-1994		DRWG. NO. AT-AC	
DWG SIZE C	SHEET 1 OF 1	SCALE 2:1	VERSION NX4	COMPUTER DRAWN NO MANUAL CHANGE	REV. 1