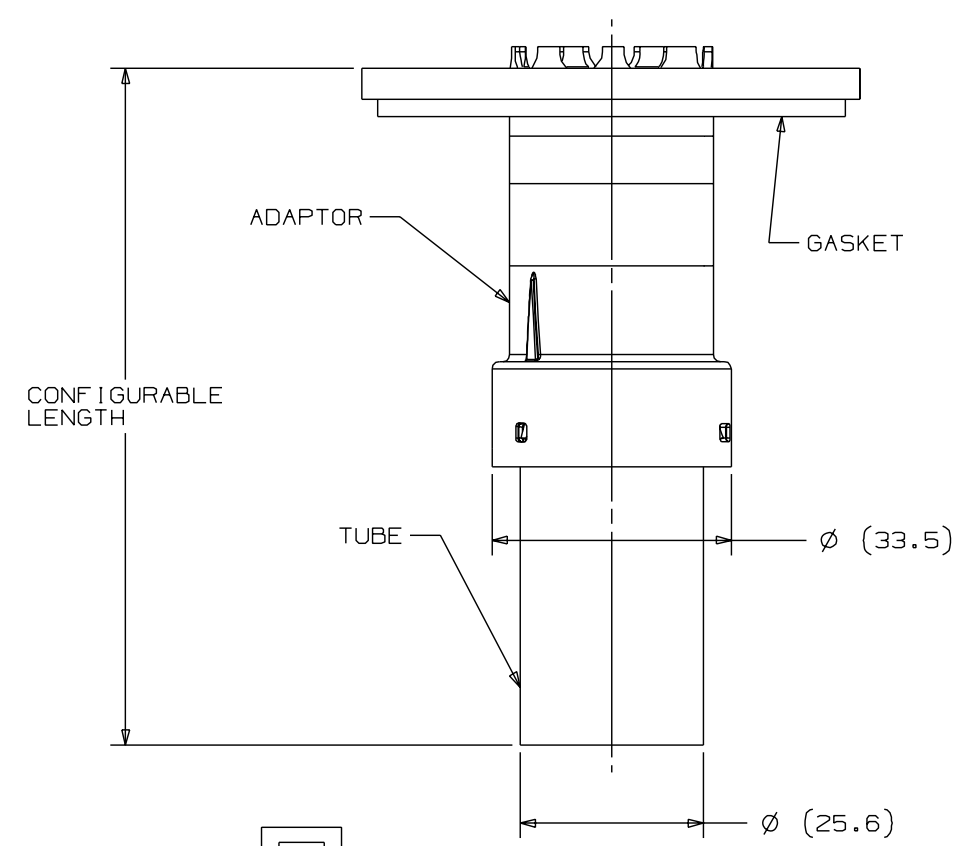
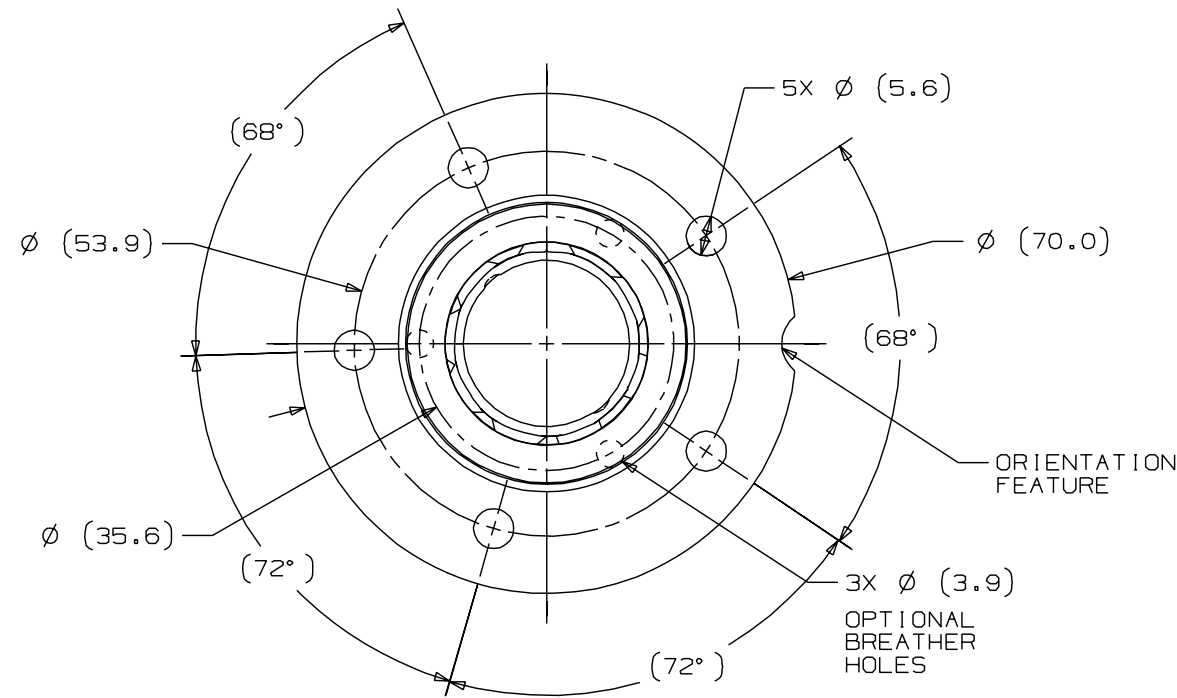


REV.	NOA NO.	DATE	DESCRIPTION OF CHANGE	DRAWN	APP.
1	09-3294	10/16/09	INITIAL RELEASE	MMT	ABR



NOTES:

- 1.) ADAPTOR AND GASKET TO FIT TANK MOUNTING HOLE PER SAE J1810

MILLIMETERS	
TOLERANCE	.0 .00
DIA. ±	.2 .13
LINEAR ±	.2 .13
ANGULAR ±	1°
DO NOT SCALE PRINT	

THIS DRAWING REPRESENTS CONFIDENTIAL AND PROPRIETARY INFORMATION OF SSI TECHNOLOGIES INC AND SHALL NOT BE USED, ALTERED OR DISCLOSED IN WHOLE OR IN PART WITHOUT THE EXPRESS WRITTEN APPROVAL OF SSI TECHNOLOGIES INC. ANY USE OF THIS DRAWING SHALL BE SUBJECT TO SSI TECHNOLOGIES INC SUPPLIER QUALITY ASSURANCE SPECIFICATION 50A9001.



SSI Technologies, Inc.

A	B	C	D	E	F	G	H	J	K	L	M
N	P	Q	R	S	T	U	V	W	X	Y	Z

JOB FLUID-TRAC		DO NOT SCALE		ASSEMBLY NO.	
NAME CUSTOMER DRAWING		3RD ANGLE PROJECTION		CUSTOMER I.D.	
MATERIAL N/A		REFER TO ASME Y14.5M-1994		DRWG. NO.	
DWG SIZE C	SHEET 1 OF 1	SCALE 1.5:1	VERSION NX4	COMPUTER DRAWN NO MANUAL CHANGE	REV. 1