

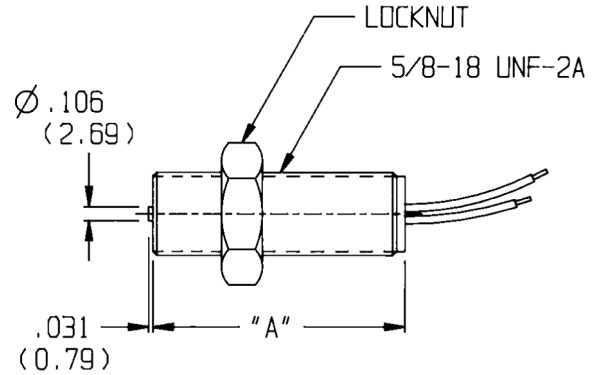
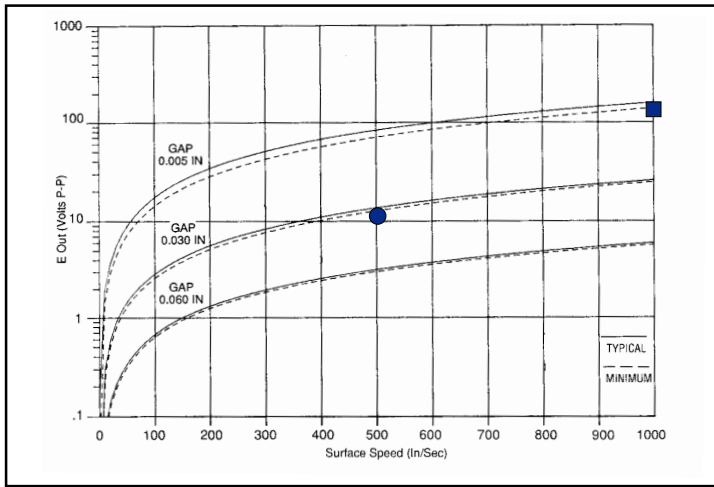
Passive Speed Sensors

5/8 – 18 FAMILY

Full Thread – High Sensitivity

Ordering Part #	Thread Length (A)
70085-8080-003	1.812 (46.03)
70085-1010-220	3.000 (76.20)

Performance Curves



Specifications:

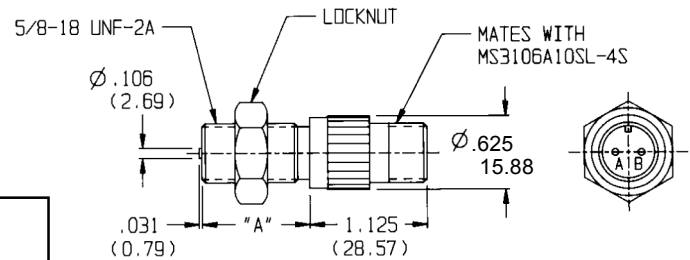
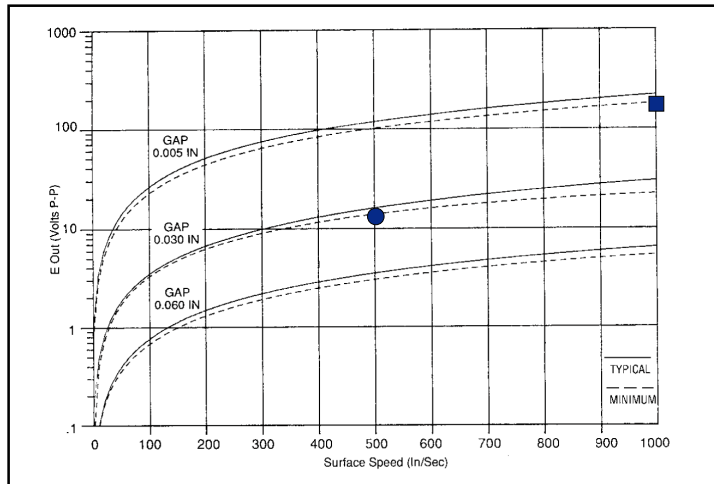
- Output Voltage (Standard): 150 V (P-P)
- Output Voltage (Guarantee Point): 12.8 V (P-P)
- DC Resistance: 1650 ohms max.
- Typical Inductance: 500 mH ref.
- Output Polarity: White lead positive
- Operating Temperature: -55 to + 107°C
- Lead Length: -003, 12 in (30.5 cm)
- 220, 36 in (91.4 cm)
- Net Weight: 3 oz. max.

Molded – High Sensitivity

Ordering Part #	Thread Length (A)
70084-1713-111	1.125 (28.57)

(Select cable from group "A", see index)

Performance Curves



Specifications:

- Output Voltage (Standard): 190 V (P-P)
- Output Voltage (Guarantee Point): 13.9 V (P-P)
- DC Resistance: 1200 ohms max.
- Typical Inductance: 400 mH ref.
- Output Polarity: Pin 'B' positive
- Operating Temperature: -40 to +150° C
- Net Weight: 2 oz. max.

Dimensions in inches and (mm).