

FEATURES

- 0 - 50 ppm range H₂S
- 0.2 ppm resolution
- High temperature +90 °C operation
- Fast response time (t₉₀)
- Solid state technology
- Designed for continuous operation
- Leak-proof - no internal electrolyte
- Not affected by dry or low humidity environments
- Not affected by exposure to many VOCs and solvents
- 2.5 V bridge voltage
- 200 mA maximum current
- Can be supplied in certified flameproof housing



APPLICATIONS

- Chemical plants and refineries
- Well head sites
- Mud-logging operations
- Drilling rigs and platforms
- Gas collection and distribution facilities
- Oil and gas production platforms
- Sulfur removal and recovery facilities
- Wastewater treatment facilities
- H₂S based heavy water production facilities

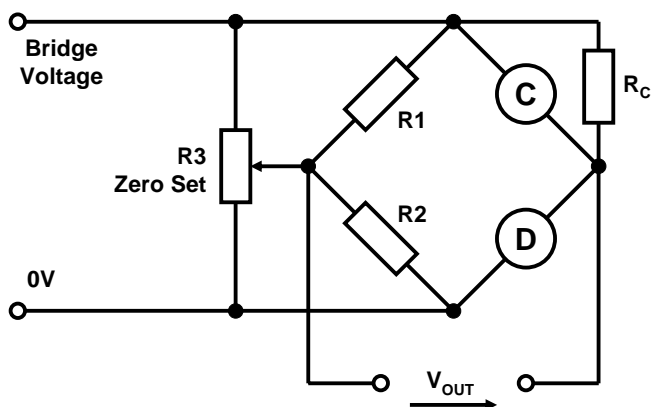
GENERAL DESCRIPTION

The VQ101HT is a solid state sensor pair for the detection of hazardous levels of hydrogen sulfide in air. It consists of two elements, a detector and a matched compensator that is used to minimise the effect of temperature. The device has a life of many years, when protected from abuse and has several advantages over electrochemical cell technology. It can operate continually at ambient temperatures up to +90 °C and is unaffected by low humidity environments.

ORDERING INFORMATION

Part no. VQ101HT

RECOMMENDED OPERATING CIRCUIT



Circuit Notes

1. R₁ = R₂ = 1 kΩ. This value is arbitrary and should be reduced if a low impedance load is applied to V_{OUT} (for example a moving coil voltmeter).
2. R₃ = 50 kΩ. This is adjusted to set the zero.
3. The detector element, D (green insulator) and compensator element, C (brown insulator) are supplied as a matched pair, complete with a 250 mW axial leaded trimming resistor, R_c (minimum value 39 Ω). The trimming resistor should be connected across the compensator element as shown. This resistor is supplied by e2v but must be mounted on the customer's PCB. No resistor is supplied when devices are already well matched.
4. V_{OUT} is negative for the VQ101HT

Whilst e2v technologies has taken care to ensure the accuracy of the information contained herein it accepts no responsibility for the consequences of any use thereof and also reserves the right to change the specification of goods without notice. e2v technologies accepts no liability beyond the set out in its standard conditions of sale in respect of infringement of third party patents arising from the use of tubes or other devices in accordance with information contained herein.

e2v technologies (uk) limited, Waterhouse Lane, Chelmsford, Essex CM1 2QU United Kingdom Holding Company: e2v technologies plc

Telephone: +44 (0)1245 493493 Facsimile: +44 (0)1245 492492

Contact e2v by e-mail: enquiries@e2v.com or visit www.e2v.com for global sales and operations centres.

© e2v technologies (uk) limited 2010

A1A-767115 Version 2, February 2010

Template: DF764388A-3

OPERATING & STORAGE RATINGS

Note: Stresses beyond the ratings listed below may cause permanent change or damage to the gas sensor.

Operating temperature.....-40 to +90 °C
 Storage temperature.....-40 to +90 °C
 Shelf life (in supplied containers)..... 12 months
 Humidity.....0 - 95% RH (non-condensing)
 Pressure 90 to 110 kPa
 Required oxygen concentration
 (see note 1).....>10% by volume
 Bridge voltage supply 2.5 ±0.1 V
 Operating condition.....continuous
 Operating range..... 0 - 50 ppm H₂S
 Maximum overload 100 ppm H₂S

PERFORMANCE SPECIFICATION

All values are using the recommended circuit at 20 °C ambient with a 1 hour minimum stabilisation time after initial switch on (unless otherwise stated).

Current consumption 200 mA max
 Response shape
 (see note 2)..... pseudo logarithmic: see graph
 Resolution.....0.1 ppm (0 - 10 ppm)
 0.2 ppm (10-50 ppm)
 Initial zero (in air) ±30 mV

Response (10 ppm H₂S / balance air, 500 ml/min flow rate):
 net output signal..... -15 to -25 mV
 T₉₀ time..... <30 s (typical <15 secs in e2v flowblock)

Temperature effect (see note 3):
 zero (mV/°C) < -0.3 mV/°C
 zero (H₂S ppm/°C) < +0.05 ppm/°C
 net sensitivity..... < -1.2% of Net signal /°C (as mV)
 net sensitivity..... < -1.3% of net signal °C (as ppm H₂S)

Long-term drift:
 zero (H₂S ppm) <3 ppm over 6 months
 sensitivity (mV) <2% mV/month

Warranty (see note 4) 1 year

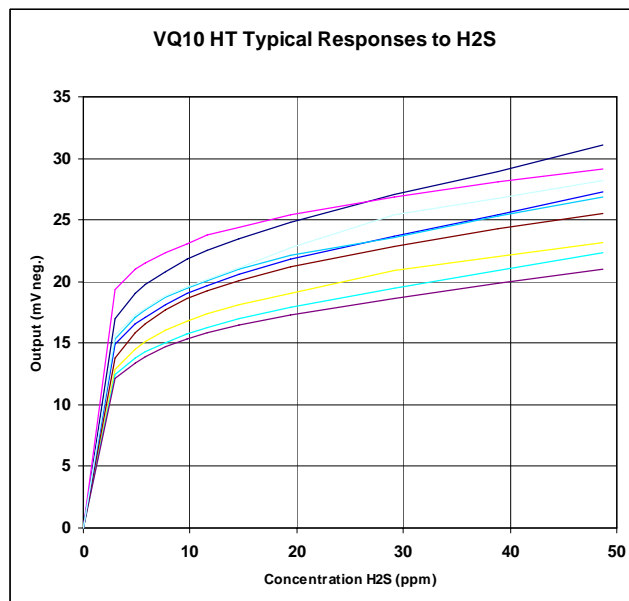
NOTES

1. Sensor zeros can be significant below 10% O₂, >1ppm H₂S at 2% O₂.
2. Curve fitting is recommended, ideally with 3 or more calibration points; see application note. Calibration will be required within the customer's instrument.
3. Temperature compensation may be required for optimum performance particularly at temperatures >40 °C.
4. Design target of 3 years.

TYPICAL PERFORMANCE CHARACTERISTICS

RESPONSE TO H₂S

Typical responses are shown for a number of sensors.

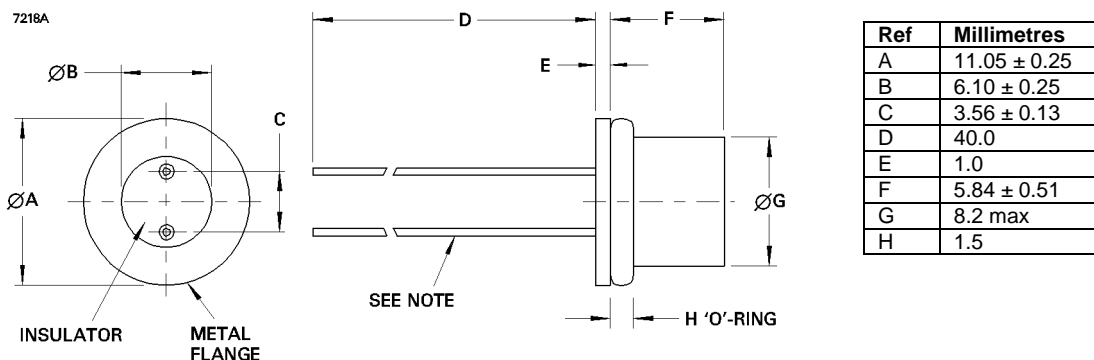


CROSS-SENSITIVITY TO OTHER GASES

Gas	Concentration (ppm)	Sensor Response (as ppm H ₂ S)
Methane	10,000	<3
Hydrogen	10,000	<10
Ethanol	50	<7
Carbon Monoxide	300	<2

MECHANICAL DATA

OUTLINE (All dimensions without limits are nominal)



Outline Notes

1. The wire comprises a single strand, 0.5 mm diameter.
2. For handling of VH101HT observe guidelines in Pellistor Application Note 7, "Handling of e2v Pellistor Gas Sensors"
3. The beads of this device run at high temperatures. If the device is to be operated in an atmosphere where there is any likelihood of flammable vapours being present, it must be mounted behind a suitable flame arrestor.
4. Further information on product safety and material content are contained in the Product Safety Datasheet.

RECOMMENDED MOUNTING ARRANGEMENTS

