



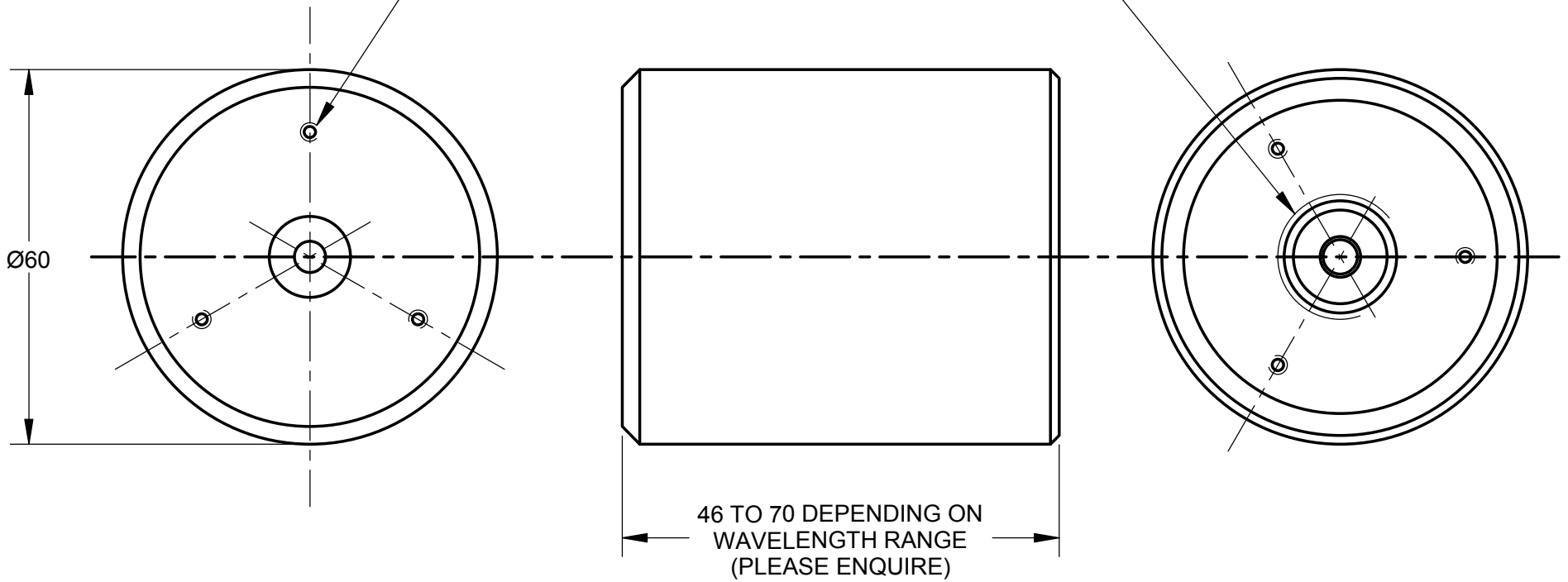
DRAWING FOR INFORMATION PURPOSES ONLY
DOES NOT FORM A PART OF ANY SPECIFICATION
IMPLIED OR OTHERWISE

DESIGN SUBJECT TO CHANGE WITHOUT NOTICE

DO NOT SCALE DRAWING

ADJUSTABLE ROD HOLDER
TO TUNE ROTATION

6 HOLES @ 120°
M3 ON 40 PCD



HOUSING MATERIAL: ALUMINIUM ALLOY, BLACK ANODISED

LEYSOP

FOI 5/57 FARADAY ROTATOR
INTERFACE DIAGRAM

Scale
1:1

Drawn
S. PAYNE

Approved
P. FRANKS

Issue
1

Date
10/06/02

Drawing No. Dims.
mm

Tolerances Unless
Otherwise Stated ±0.1