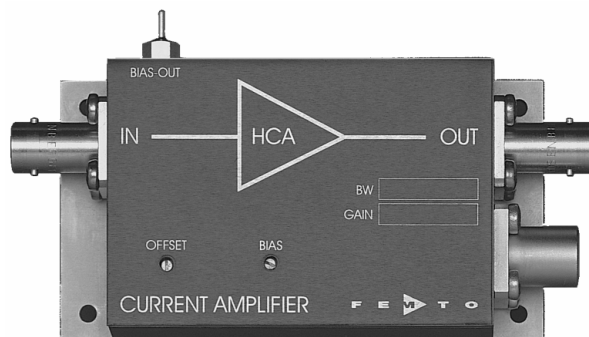




Datasheet

HCA-40M-100K-C

High Speed Current Amplifier



Features

- **Bandwidth and Frequency Response Independent of Detector Capacitance (up to 30 pF)**
- **Low Noise 3.7 pA/√Hz Equivalent Input Noise Current**
- **Bandwidth DC ... 40 MHz**
- **Transimpedance (Gain) 1 x 10⁵ V/A**
- **Protection against ± 3.5 kV Transients**

Applications

- **Photodiode and Photomultiplier Amplifier**
- **Spectroscopy**
- **Charge Amplifier**
- **Ionisation Detectors**
- **Preamplifier for Lock-Ins, A/D Converters, etc.**

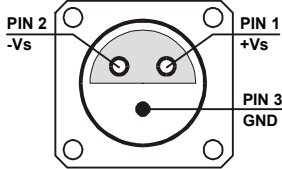
Specifications

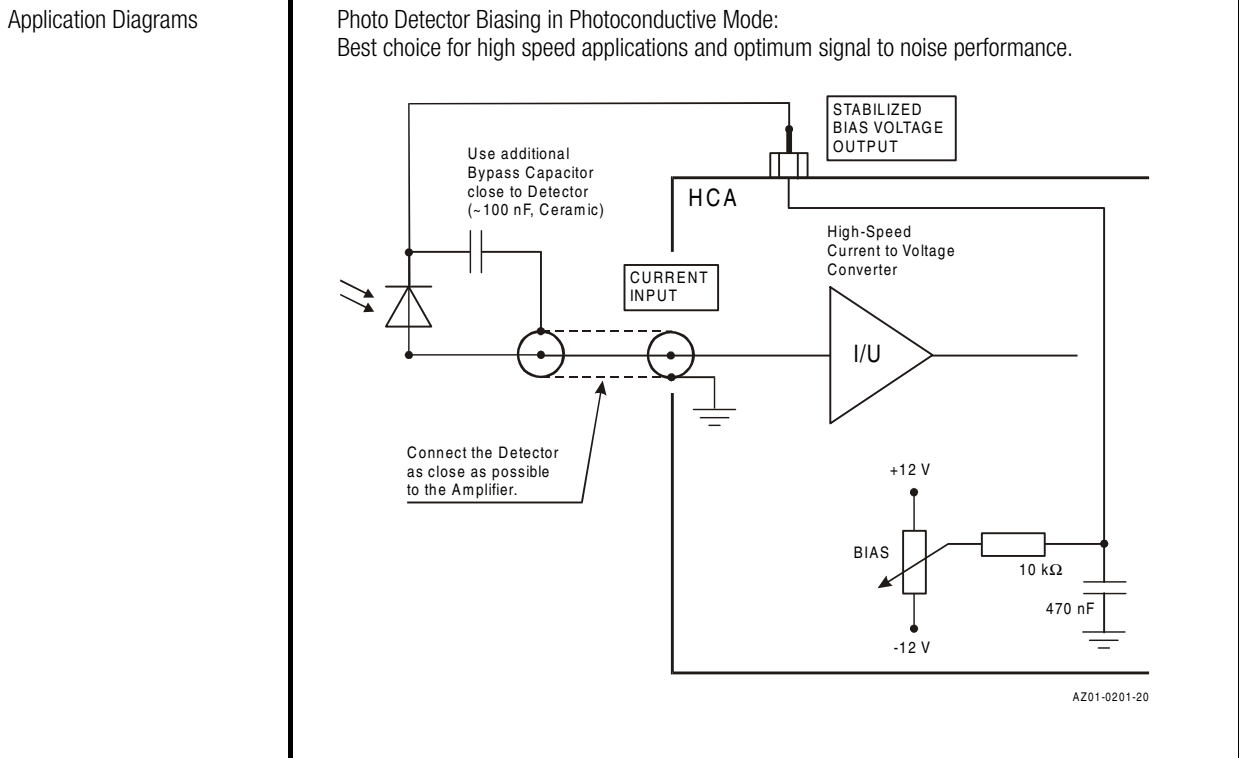
	<i>Test Conditions</i>	<i>V_s = ± 15 V, T_a = 25°C</i>
Gain	Transimpedance	1 x 10 ⁵ V/A (@ 50 Ω load)
	Gain Accuracy	± 1 %
Frequency Response	Lower Cut-Off Frequency	DC
	Upper Cut-Off Frequency (- 3 dB)	40 MHz
	Rise / Fall Time (10 % - 90 %)	10 ns
	Gain Flatness	± 0.3 dB
Input	Equ. Input Noise Current	3.7 pA/√Hz (@ 100 kHz)
	Equ. Input Noise Voltage	0.8 nV/√Hz (@ 100 kHz)
	Input Bias Current	18 μA typ.
	Input Bias Current Drift	0.8 nA / K
	Offset Current Compensation	± 20 μA adjustable by offset trimpot
	Input Current Range	± 15 μA (for linear amplification)
	Input Offset Voltage	3 mV
	DC Input Impedance	50 Ω (virtual) // 5 pF
Output	Output Voltage Range	± 1.5 V (@ 50 Ω load) for linear operation and low harmonic distortion
	Output Impedance	50 Ω (terminate with 50 Ω load for best performance)
Bias Output	Bias Output Voltage Range	± 12 V, adjustable by bias trimpot
	Bias Output Impedance	10 kΩ // 1 μF

Datasheet

HCA-40M-100K-C

High Speed Current Amplifier

Specifications (continued)	<table border="0"> <tr> <td>Power Supply</td> <td>Supply Voltage</td> <td>$\pm 15\text{ V}$</td> </tr> <tr> <td></td> <td>Supply Current</td> <td>$\pm 70\text{ mA typ.}$ (depends on operating conditions, recommended power supply capability minimum $\pm 150\text{ mA}$)</td> </tr> <tr> <td>Case</td> <td>Weight</td> <td>210 g (0.5 lbs)</td> </tr> <tr> <td></td> <td>Material</td> <td>AlMg4.5Mn, nickel-plated</td> </tr> <tr> <td>Temperature Range</td> <td>Storage Temperature</td> <td>$-40 \dots +100\text{ }^\circ\text{C}$</td> </tr> <tr> <td></td> <td>Operating Temperature</td> <td>$0 \dots +60\text{ }^\circ\text{C}$</td> </tr> </table>	Power Supply	Supply Voltage	$\pm 15\text{ V}$		Supply Current	$\pm 70\text{ mA typ.}$ (depends on operating conditions, recommended power supply capability minimum $\pm 150\text{ mA}$)	Case	Weight	210 g (0.5 lbs)		Material	AlMg4.5Mn, nickel-plated	Temperature Range	Storage Temperature	$-40 \dots +100\text{ }^\circ\text{C}$		Operating Temperature	$0 \dots +60\text{ }^\circ\text{C}$
Power Supply	Supply Voltage	$\pm 15\text{ V}$																	
	Supply Current	$\pm 70\text{ mA typ.}$ (depends on operating conditions, recommended power supply capability minimum $\pm 150\text{ mA}$)																	
Case	Weight	210 g (0.5 lbs)																	
	Material	AlMg4.5Mn, nickel-plated																	
Temperature Range	Storage Temperature	$-40 \dots +100\text{ }^\circ\text{C}$																	
	Operating Temperature	$0 \dots +60\text{ }^\circ\text{C}$																	
Absolute Maximum Ratings	<table border="0"> <tr> <td>Input Voltage</td> <td>$\pm 5\text{ V}$</td> </tr> <tr> <td>Input Voltage Transient</td> <td>$\pm 3.5\text{ kV}$ (pulsewidth 10 ns)</td> </tr> <tr> <td>Power Supply Voltage</td> <td>$\pm 22\text{ V}$</td> </tr> </table>	Input Voltage	$\pm 5\text{ V}$	Input Voltage Transient	$\pm 3.5\text{ kV}$ (pulsewidth 10 ns)	Power Supply Voltage	$\pm 22\text{ V}$												
Input Voltage	$\pm 5\text{ V}$																		
Input Voltage Transient	$\pm 3.5\text{ kV}$ (pulsewidth 10 ns)																		
Power Supply Voltage	$\pm 22\text{ V}$																		
Connectors	<table border="0"> <tr> <td>Input</td> <td>BNC</td> </tr> <tr> <td>Output</td> <td>BNC</td> </tr> <tr> <td>Power Supply</td> <td>LEMO series 1S, 3-pin fixed socket</td> </tr> <tr> <td></td> <td>Pin 1: +15V</td> </tr> <tr> <td></td> <td>Pin 2: -15V</td> </tr> <tr> <td></td> <td>Pin 3: GND</td> </tr> </table> 	Input	BNC	Output	BNC	Power Supply	LEMO series 1S, 3-pin fixed socket		Pin 1: +15V		Pin 2: -15V		Pin 3: GND						
Input	BNC																		
Output	BNC																		
Power Supply	LEMO series 1S, 3-pin fixed socket																		
	Pin 1: +15V																		
	Pin 2: -15V																		
	Pin 3: GND																		

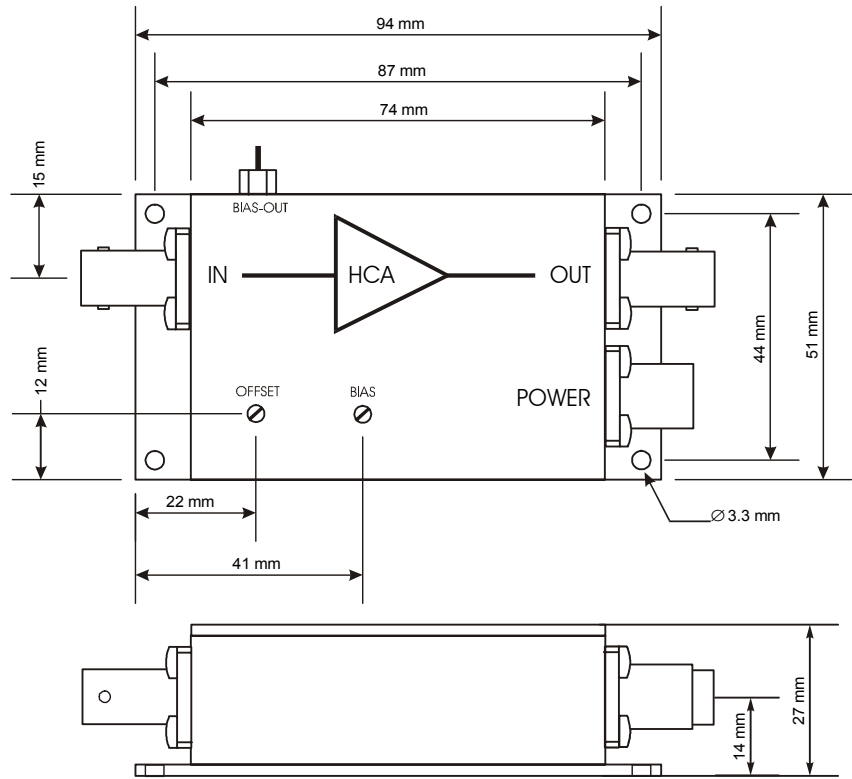


Datasheet

HCA-40M-100K-C

High Speed Current Amplifier

Dimensions



DZ01-0201-22

FEMTO Messtechnik GmbH
 Klosterstr. 64
 D-10179 Berlin · Germany
 Tel.: +49-(0)30-280 4711-0
 Fax: +49-(0)30-280 4711-11
 e-mail: info@femto.de
<http://www.femto.de>

Specifications are subject to change without notice. Information furnished herein is believed to be accurate and reliable. However, no responsibility is assumed by FEMTO Messtechnik GmbH for its use, nor for any infringement of patents or other rights granted by implication or otherwise under any patent rights of FEMTO Messtechnik GmbH. Product names mentioned may also be trademarks used here for identification purposes only.

© by FEMTO Messtechnik GmbH
 Printed in Germany

SOPHISTICATED TOOLS FOR SIGNAL RECOVERY

