



Electro Optical Components, Inc.

5460 Skylane Boulevard, Santa Rosa, CA 95403

Toll Free: 855-EOC-6300

www.eoc-inc.com | info@eoc-inc.com



GIPO Series

High voltage pulse generator (block configuration)

Patented – Under licence from the French “Commissariat à l’Energie Atomique” (C.E.A.)

1 standard model

Reference: GIPO24N552106-10

Vin : 24Vdc

Vout : -500V to -5.5kV

Pulse rising edge : 2.5ns typically on a load of 2pF

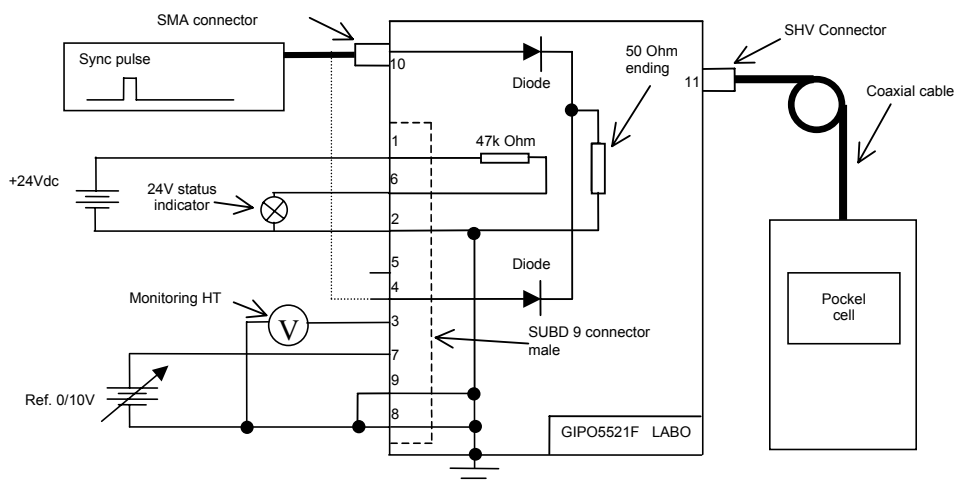


The GIPO product is basically composed of an adjustable high voltage dc/dc converter and a high speed, high voltage switch. The stability of the high voltage power supply integrated in the module is very high (10ppm/°C). The GIPO is able to switch 5.5kV in less than 3ns. Pulse width, voltage and repetition rates can be adjusted by the user. For stand-alone operation, the amplitude of the HV pulse is set thanks to an integrated trimmer. For remote control operation, it is fitted with an input for external 0/10V analogue signal. HV pulses are triggered by an external trigger 0-15V signal that enters either by the SMA socket, or by the SUBD9 connector. This equipment is fully qualified and has been tested by some of the most important players in the optical and photonics domain.

- output voltages to -5.5kV
- block configuration
- low profile and lightweight
- fast commutation : -5.5kV in <3ns
- adjustable pulse width from 200ns to 30µs
- negative polarity
- for capacitive loads
- local and distant operations
- protection against polarity inversion and shortcuts

Parameters	Specifications	Possible Applications																
Input voltage Vin	24Vdc ±2V recommended (max. 30V), power 6W	<ul style="list-style-type: none"> ▪ Flash Lamps Triggers ▪ Intensified CCDs ▪ Laser Diodes Drivers ▪ Multi Channel Plates ▪ Pockel Cells Drivers 																
Output voltage Vout	continuously adjustable from -500V to -5500V																	
Pulse rising edge	2.5ns typically on a load of 2pF																	
Output signal width	continuously variable from 200ns to 30µs																	
Jitter	<200ps																	
Repetition rate	up to 100Hz																	
Polarity	fixed negative																	
Pulse synchronisation	input signal for synchronization, type CMOS 15V on 50Ω	<table border="1"> <thead> <tr> <th colspan="2">Package Configuration</th> </tr> </thead> <tbody> <tr> <td>Insulation</td> <td>fully potted in an epoxy resin</td> </tr> <tr> <td>Case material</td> <td>aluminium case</td> </tr> <tr> <td>Dimensions LxHxW</td> <td>105 x 80 x 36 mm</td> </tr> <tr> <td>Weight</td> <td>470g</td> </tr> <tr> <td>Line input, setting and monitoring</td> <td>through male Sub-D 9</td> </tr> <tr> <td>Pulse output connector</td> <td>SHV high voltage safety RADIALL R317-580</td> </tr> <tr> <td>Fixation</td> <td>with six holes cast into the flanges</td> </tr> </tbody> </table>	Package Configuration		Insulation	fully potted in an epoxy resin	Case material	aluminium case	Dimensions LxHxW	105 x 80 x 36 mm	Weight	470g	Line input, setting and monitoring	through male Sub-D 9	Pulse output connector	SHV high voltage safety RADIALL R317-580	Fixation	with six holes cast into the flanges
Package Configuration																		
Insulation	fully potted in an epoxy resin																	
Case material	aluminium case																	
Dimensions LxHxW	105 x 80 x 36 mm																	
Weight	470g																	
Line input, setting and monitoring	through male Sub-D 9																	
Pulse output connector	SHV high voltage safety RADIALL R317-580																	
Fixation	with six holes cast into the flanges																	
Output voltage setting	via external voltage source 0/+10V, accuracy ±0.2%, input impedance > 1MΩ or via an internal trimmer																	
Output voltage monitoring	DC analogue 0/+10V buffered output signal, advised maximum monitoring output current : 5mA																	
Operating temperature	0°C to +40°C																	
Storage temperature	-10°C to +70°C																	
MTBF	>700800 hours @25°C																	
Safeguards	<ul style="list-style-type: none"> ▪ 24Vdc input protected against polarity inversion ▪ input for voltage setting is internally limited at 10V ▪ monitoring output is protected against shortcuts ▪ repetition rate is internally limited at 100Hz ▪ the 50Ω resistor on the synchronization accepts 15Vdc ▪ pulse output on SHV high voltage safety 																	
Provided accessories	specific coaxial shielded cable for high voltage equipped on one end with a SHV plug of safety RADIALL R317-074.																	

Functional diagram





GIPO Series

High voltage pulse generator (block configuration)
Patented – Under licence from the French “Commissariat à l’Energie Atomique” (C.E.A.)

**Systems Development
& Solutions**



GIPO HIGH VOLTAGE SHORT PULSE GENERATOR: The new equipment improving your optical application

The basic architecture for High Voltage Pulse Generators (HVPG) is based on a high voltage source and a high voltage switch capable of connecting and disconnecting (short-circuit) at different frequencies the voltage source into a load. High voltage pulse generators are specifically designed to deliver a high amount of voltage (>100V) over a short period of time (<ns) into capacitive loads. They are typically used in applications requiring a repetitive source of high voltage pulses having fast rise and fall times. Switching time depends on the voltage required and on the technology used.

The Basic Technology of HVPGs

The core technologies of this type of equipment are divided into two parts. The first one which defines the technology used to store the high voltage, and a second one to release the stored energy to a load. The energy is stored within electro-static fields (capacitors) or magnetic fields (inductor). Several types of technologies for the switch are available. The choice depends mainly on the voltage to switch, the repetition rate and the switching time. The most common are semi conductor technology, thyatron, krytron or spar-gap. The vast majority of today's high voltage pulse generators use capacitive energy storage system and semiconductor fast switching module. The improvement in the last decade on semiconductor technology makes it the perfect candidate to get superior performances and higher reliability. By releasing the stored energy over a very short interval, a huge amount of peak power can be delivered to a load. The pulse-forming network is capable of generating a high-voltage pulse of up to 350kV which can be delivered in few nanoseconds. Basically every system offers full control of the voltage, pulse duration, frequency and current limit, and can be connected to a computer to meet the most demanding industrial and research applications.

The Main Applications of HVPGs

High voltage pulse generators can be used in several applications including the optical and photonics domains where it is necessary to switch high voltage into a load during a short period of time. One of the main drawbacks of the majority of equipments remains the size. Today, thanks to the evolution and the miniaturization of technologies as semiconductor it is possible to achieve HVPG modules delivering more than 5kV in a package size of about 100x80mm.

Main applications are:

- **Pockel Cells Drivers** : the cells based on electro-optic crystals are generally used in pulsed solid state lasers. Applying an electric field to an electro-optic material changes the refractive index. If the cell is placed between two crossed polarisers in the path of the laser beam, it is possible to block the light just by switching the electrical field applied to the crystal. Typically this application requires fast switching speed in the nanosecond range with high voltage from 3 to 10kV. Pockels cells may also be used in laser pulse gating, slicing, chopping and shaping applications.
- **Multi Channel Plates** : mainly used in laser induced fluorescence where it is necessary to increase the time resolution.
- **Intensified CCDs** : used to visualise pulsed plasmas. This application is mainly done in research areas.
- **Laser Diodes Drivers** : High power laser diodes are used in several industrial processes where it is convenient to have a better quality process to drive them in pulsed mode.
- **Flash Lamps Triggers** : flash lamps are mainly used for laser pumping. Xenon flash lamps are used in applications that do not require continuous illumination such as spectrophotometers, in-vitro diagnostics and factory automation.

SDS's HVPG : the GIPO

In its actual development, the GIPO is able to handle the above cited applications provided the devices it is used with match the GIPO specifications. For the technical performances of the GIPO, please refer to the first page of this document.



This High Voltage power supply satisfies the requirements of EC Directives Safety EN 61010-1 2001 Edition & EMC EN 61326-1: 1977 + A1: 1998 + A2: 2001 + A3 : 2004

All specifications are subject to change without notice