



Si - photodiode with integrated amplifier	J1 576 J1 577 J1 578
--	-------------------------------------

- characteristics :**
- ◆ Si-photodiode with integrated low noise JFET-amplifier
 - ◆ integrated feedback resistor and capacitor
 - ◆ decadic staggered responsivity
 - ◆ spectral range VIS and NIR
 - ◆ very low offset- and driftparameters
 - ◆ high dynamic range
 - ◆ duale power supply
 - ◆ hermetically sealed TO-5 package
 - ◆ assembly isolated to ground
 - ◆ replacement type for J1 7/J1 7,5 (not pincompatible!)
 - ◆ components are in conformity with RoHS and WEEE

- applications :**
- ◆ common light-/radiation measuring applications
 - ◆ detector for measuring of low radiation intensities with high signal to noise level
 - ◆ spectroscopy
 - ◆ medical diagnostics

- maximum ratings :**
- ◆ operating voltage ±18 V
 - ◆ operating temperature range -25 °C ... +85 °C
 - ◆ storage temperature range -40 °C ... +100 °C
 - ◆ welding temperature (3s) 260 °C

technical data :

common test conditions, as not otherwise specified: $T_A = 25\text{ °C}$, $V_S = \pm 15\text{ V}$
 typ. data, maximum data in brackets

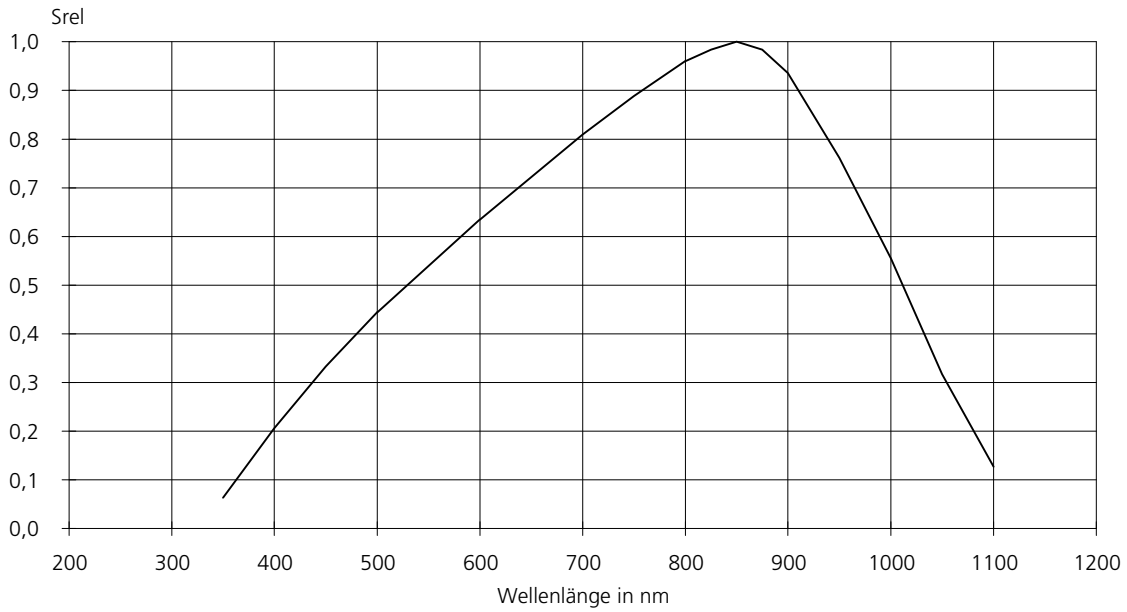
parameter	testcondition	J1 576	J1 577	J1 578	unit
active area		7			mm ²
feedback resistor		1	10	100	MΩ
dark offset voltage	$E = 0\text{ lx}$	± 0,3 (±0,75)	± 0,3 (±0,75)	± 2,0 (±0,75)	mV
noise voltage	$B = 20\text{ kHz}$	0,2	0,3	0,5	mV _{rms}
spectral range	$S=0,1 * S_{max}$	400...1100			nm
max. of spectral responsivity	$S=S_{max}$	850			nm
max. spectral responsivity	$S=S_{max}$	0,6	6	60	mV/nW
rise time		3,5	20	50	μs
bandwidth	- 3 dB	100	18	7	kHz
opening angle	$S(\varphi)=0,5 * S_{max} * \cos(\varphi)$	± 50			Grad
saturation voltage	$R_L = 2\text{ k}\Omega$	-14,8 (-14,5)			V
short current		± 45			mA
operation voltage		± 5...± 15			V
current consumption		2,2(2,6)			mA

**D
A
T
A

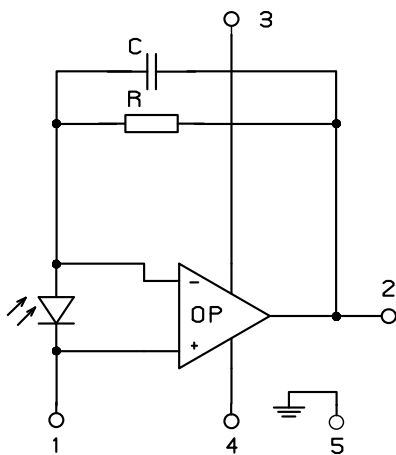
S
H
E
E
T**

JI 576, JI 577, JI 578

relative spectral responsivity



internal circuit



- 1 GND
- 2 Out
- 3 +V_S
- 4 -V_S
- 5 Case

package dimensions

