



LDI

High Speed LD Pulse Driver

LDM series

LDMsum1eng V.2.10 2004.8.7

Abstract

LDM series is a high speed LD driver module which can drive LD as constant force current driver from CW to 2 or 3ns rise/fall time pulse.

LDM series has high output current drivability of 400mA/1.2A/2.4A due to high emitting LD drive. Moreover LDM series has patented low Q output circuit which is effective to reduce over/under shoot of current waveform without any external components.

LDM400MAF has high frequency oscillator for output current modulation to reduce laser diode noise caused by mode hopping. The frequency and amplitude are set by external resistors.

Features

- Built-in Patented Low Q circuit in output stage for clear wave form
- No external components
- Large output current (400mA/1.2A/2.4A)
- High speed output pulse drivability (rise time & fall time: :2ns)
- Built-in high frequency oscillator (LDM400MAF only)
- CMOS Low power consumption
- DISABLE & Low Vcc shutdown function
- Power supply 5V ± 10%
- Operating temperature -10 ~ 70°C

Applications

- Laser machine for material processing
- Laser measurement machine
- Writable Optical Disk Drive Unit
- CD-R/RW & DVD±R/RW Combo Drive
- LD/LED Optical Communication Unit
- High speed LD/LED Drive

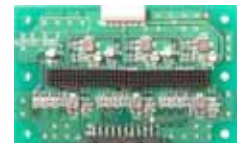
LDM400MAF



LDM1AF



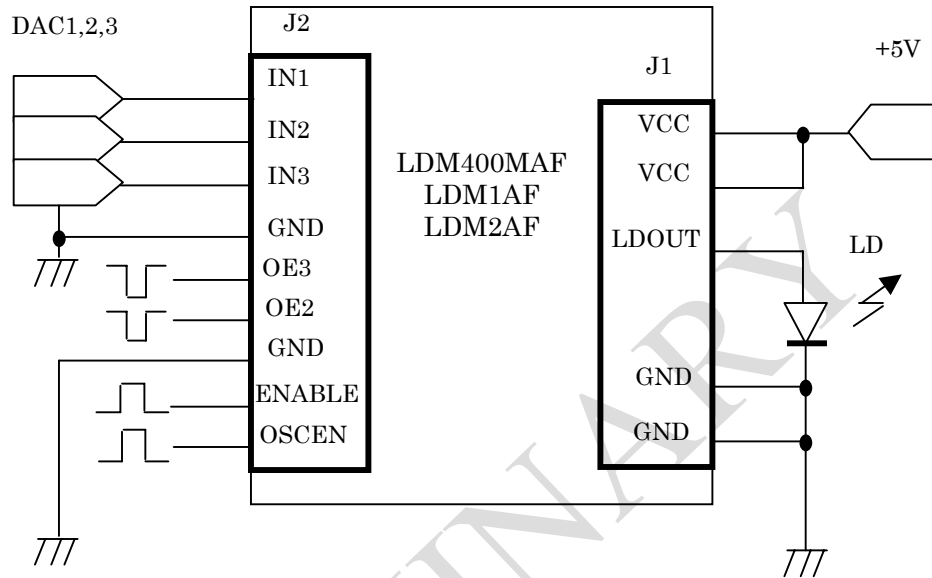
LDM2AF



Products & Performance

Type	Max. Output Current	Rise/Fall Time	Other Function	Outline
LDM400MAF	400mA	2ns	High Frequency Modulation DISABLE	45x55mm
LDM1AF	1. 2A	2ns	DISABLE	79x55mm
LDM2AF	2. 4A	3ns	DISABLE	79x55mm

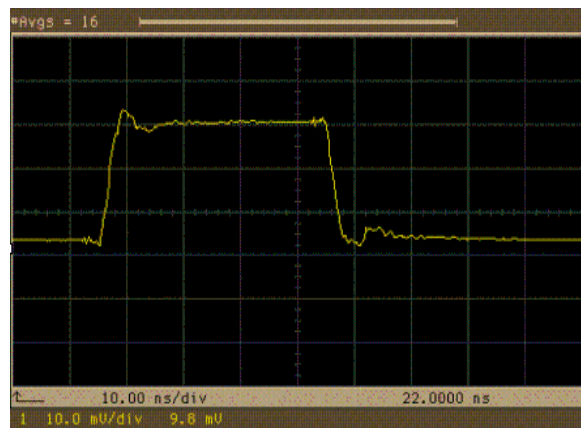
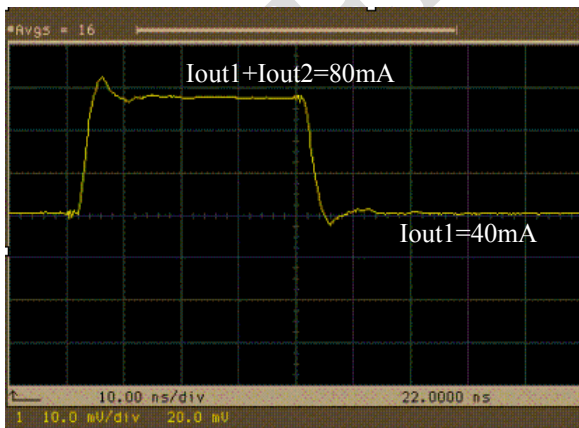
Application Circuit



Output current wave form
(wiring length=2cm, from LDM to LD)

Light Emitting wave form

LDM400MAF



Notice:Linear Design Inc. reserves the right to make changes in design and/or specifications at any time without notice.
Copyright © Linear Design Inc.2004. All rights reserved.