

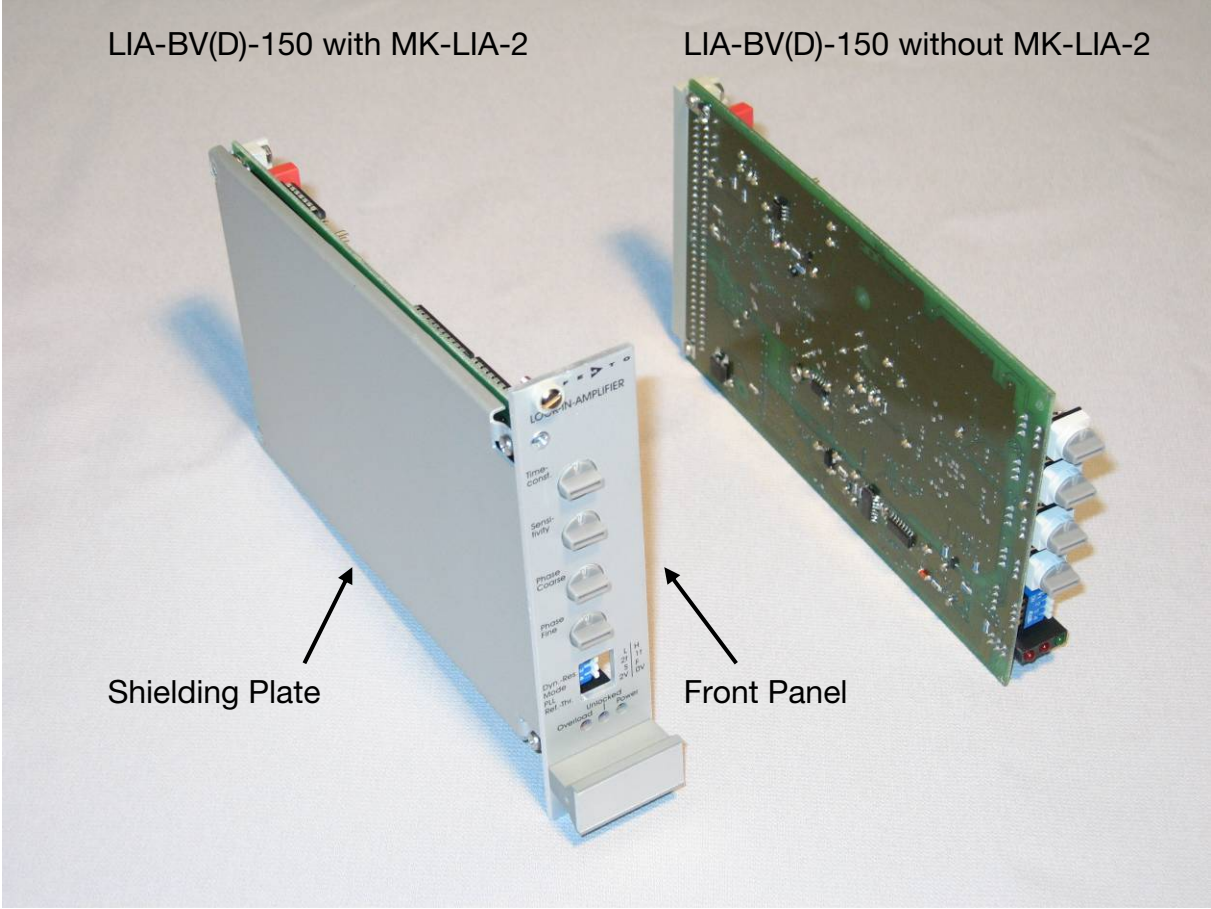


SOPHISTICATED TOOLS FOR SIGNAL RECOVERY



# DATASHEET

## MK-LIA-2 Mounting Kit



# Datasheet / Installation Guide

## Datenblatt / Installationsanleitung

# MK-LIA-2

## 19"-Mounting Kit for LIA-BV-150 Series

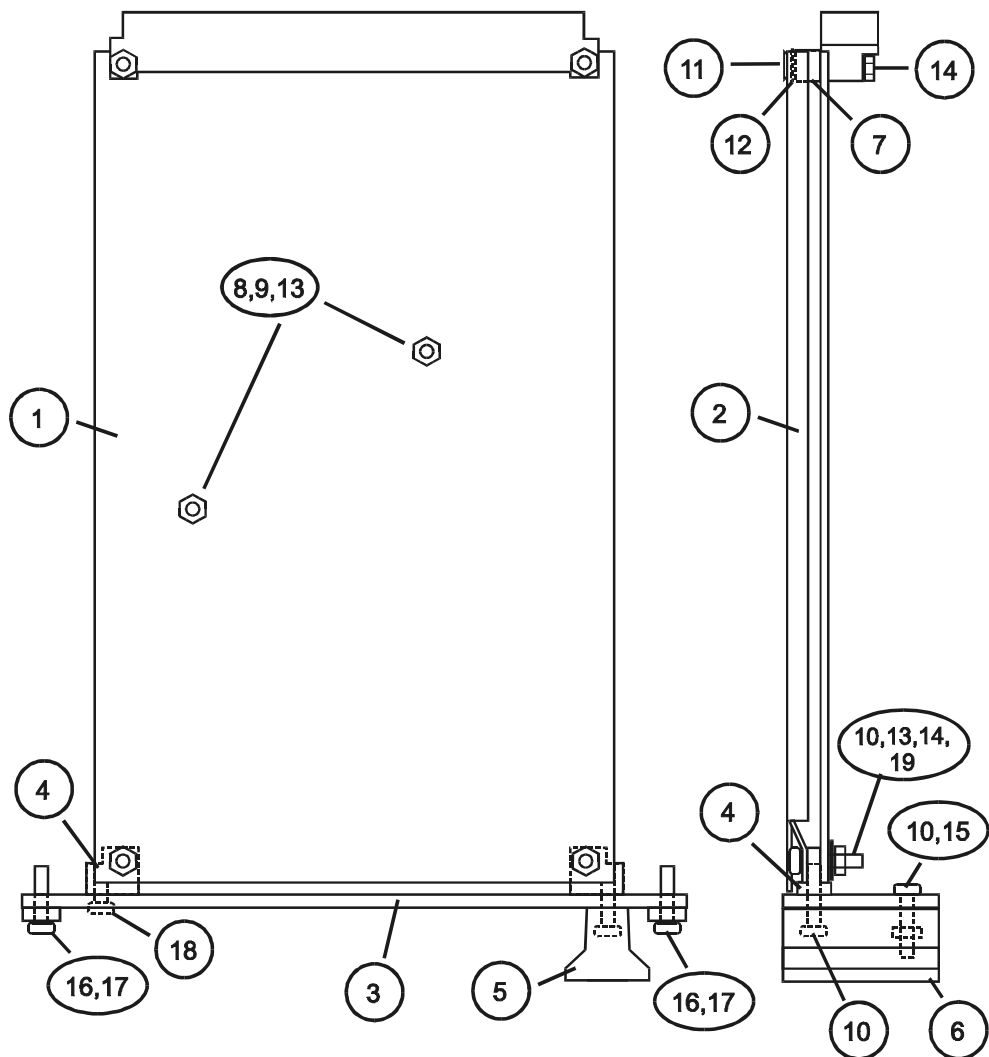
Features

- Printed Frontpanel
- EMI-shielding Backplate

Applications

- Mounting the LIA-BV-150 Series Lock-In-Amplifiers into 19"-Rack-Systems

Mounting Diagram  
Montagezeichnung



SZ01-4002-10

Installation procedure

For installation of the mounting kit you need the LIA-Board and a Phillips screwdriver. Please follow these installation steps:

- Mount the 2 screw sockets (8) with screws (9) and spring washer (13) for future installation of optional Modules.
- Mount the backplate (2) (angled edge) at the connectorside with 2 screws (11), studded discs (12), spacers (7) and nuts.
- Mount the backplate at the front to the card holder (4) with screws (10), spring washer (13), washers (19) and nuts (14).

SOPHISTICATED TOOLS FOR SIGNAL RECOVERY



# Datasheet / Installation Guide

## Datenblatt / Installationsanleitung

**MK-LIA-2**

### 19"-Mounting Kit for LIA-BV-150 Series

	<ul style="list-style-type: none"> <li>Mount the frontpanel (3) first with screw (18) to the card holder.</li> <li>Mount the frontpanel handle (5) to the frontpanel with 2 screws (10) and rectangular nut (15).</li> <li>Clip the cover (6) into the frontpanel handle.</li> <li>Mount the frontpanel mounting screws (16,17) to the frontpanel.</li> </ul>																																																																		
Part Reference	<table border="1"> <thead> <tr> <th>Ref.</th> <th>Quantity</th> <th>Description</th> <th>Ref.</th> <th>Quantity</th> <th>Description</th> </tr> </thead> <tbody> <tr> <td>(1)</td> <td>1</td> <td>LIA-BV-150 Board</td> <td>(10)</td> <td>4</td> <td>M2.5x14 oval head screw</td> </tr> <tr> <td>(2)</td> <td>1</td> <td>Alu shielding backplate</td> <td>(11)</td> <td>2</td> <td>M2.5x16 countersunk screw</td> </tr> <tr> <td>(3)</td> <td>1</td> <td>Printed frontpanel</td> <td>(12)</td> <td>2</td> <td>M2.5 studded disc</td> </tr> <tr> <td>(4)</td> <td>2</td> <td>Alu board holder</td> <td>(13)</td> <td>4</td> <td>M2.5 spring washer</td> </tr> <tr> <td>(5)</td> <td>1</td> <td>Frontpanel handle</td> <td>(14)</td> <td>4</td> <td>M2.5 nut</td> </tr> <tr> <td>(6)</td> <td>1</td> <td>Cover for frontpanel handle</td> <td>(15)</td> <td>1</td> <td>M2.5 rectangular nut</td> </tr> <tr> <td>(7)</td> <td>2</td> <td>M2.5x4 spacer</td> <td>(16)</td> <td>2</td> <td>Screw locking device</td> </tr> <tr> <td>(8)</td> <td>2</td> <td>M2.5x7 screw sockets</td> <td>(17)</td> <td>2</td> <td>M2.5x11 captive screw</td> </tr> <tr> <td>(9)</td> <td>2</td> <td>M2.5x6 oval head screw</td> <td>(18)</td> <td>1</td> <td>M2.5x8 countersunk screw</td> </tr> <tr> <td></td> <td></td> <td></td> <td>(19)</td> <td>2</td> <td>M2,5 washers</td> </tr> </tbody> </table>	Ref.	Quantity	Description	Ref.	Quantity	Description	(1)	1	LIA-BV-150 Board	(10)	4	M2.5x14 oval head screw	(2)	1	Alu shielding backplate	(11)	2	M2.5x16 countersunk screw	(3)	1	Printed frontpanel	(12)	2	M2.5 studded disc	(4)	2	Alu board holder	(13)	4	M2.5 spring washer	(5)	1	Frontpanel handle	(14)	4	M2.5 nut	(6)	1	Cover for frontpanel handle	(15)	1	M2.5 rectangular nut	(7)	2	M2.5x4 spacer	(16)	2	Screw locking device	(8)	2	M2.5x7 screw sockets	(17)	2	M2.5x11 captive screw	(9)	2	M2.5x6 oval head screw	(18)	1	M2.5x8 countersunk screw				(19)	2	M2,5 washers
Ref.	Quantity	Description	Ref.	Quantity	Description																																																														
(1)	1	LIA-BV-150 Board	(10)	4	M2.5x14 oval head screw																																																														
(2)	1	Alu shielding backplate	(11)	2	M2.5x16 countersunk screw																																																														
(3)	1	Printed frontpanel	(12)	2	M2.5 studded disc																																																														
(4)	2	Alu board holder	(13)	4	M2.5 spring washer																																																														
(5)	1	Frontpanel handle	(14)	4	M2.5 nut																																																														
(6)	1	Cover for frontpanel handle	(15)	1	M2.5 rectangular nut																																																														
(7)	2	M2.5x4 spacer	(16)	2	Screw locking device																																																														
(8)	2	M2.5x7 screw sockets	(17)	2	M2.5x11 captive screw																																																														
(9)	2	M2.5x6 oval head screw	(18)	1	M2.5x8 countersunk screw																																																														
			(19)	2	M2,5 washers																																																														
Montageablauf	<p>Zur Montage des Mounting Kits benötigen Sie die LIA-Karte und einen Kreuzschlitz-schraubendreher. Bitte befolgen Sie diese Montageschritte:</p> <ul style="list-style-type: none"> <li>Montieren Sie die 2 Gewindebolzen (8) mit Schrauben (9) und Federringen (13) um evtl. später optionale Module zu befestigen.</li> <li>Montieren Sie die Leiterkartenabdeckung (2), (abgewinkelten Kante) an der Steckverbinderseite mit 2 Schrauben (11), Fächerscheiben (12), Distanzhülsen (7) und Muttern (14).</li> <li>Montieren Sie die Leiterkartenabdeckung an der Frontseite an die Kartenhalter (4) mit Schrauben (10), Federringen (13), Unterlegscheiben (19) und Muttern (14).</li> <li>Befestigen Sie die Frontplatte (3) zuerst mit der Schraube (18).</li> <li>Montieren Sie den Frontplattengriff (5) an die Frontplatte mit 2 Schrauben (10) und einer Rechteckmutter (15).</li> <li>Stecken Sie die Griffblende (6) auf den Frontplattengriff.</li> <li>Montieren Sie die Frontplattenbefestigungsschrauben (16,17) an die Frontplatte..</li> </ul>																																																																		
Teilerferenz	<table border="1"> <thead> <tr> <th>Ref.</th> <th>Menge</th> <th>Beschreibung</th> <th>Ref.</th> <th>Menge</th> <th>Beschreibung</th> </tr> </thead> <tbody> <tr> <td>(1)</td> <td>1</td> <td>LIA-BV-150 Karte</td> <td>(10)</td> <td>4</td> <td>M2,5x14 Linsenkopfschraube</td> </tr> <tr> <td>(2)</td> <td>1</td> <td>Alu Leiterkartenabdeckung</td> <td>(11)</td> <td>2</td> <td>M2,5x16 Senkkopfschraube</td> </tr> <tr> <td>(3)</td> <td>1</td> <td>Bedruckte Frontplatte</td> <td>(12)</td> <td>2</td> <td>M2,5 Fächerscheibe</td> </tr> <tr> <td>(4)</td> <td>2</td> <td>Alu Kartenhalter</td> <td>(13)</td> <td>4</td> <td>M2,5 Federring</td> </tr> <tr> <td>(5)</td> <td>1</td> <td>Frontplattengriff</td> <td>(14)</td> <td>4</td> <td>M2,5 Mutter</td> </tr> <tr> <td>(6)</td> <td>1</td> <td>Griffblende</td> <td>(15)</td> <td>1</td> <td>M2,5 Rechteckmutter</td> </tr> <tr> <td>(7)</td> <td>2</td> <td>M2,5x4 Distanzhülse</td> <td>(16)</td> <td>2</td> <td>Schraubensicherungsrippel</td> </tr> <tr> <td>(8)</td> <td>2</td> <td>M2,5x7 Gewindebolzen</td> <td>(17)</td> <td>2</td> <td>M2,5x11 Halsschraube</td> </tr> <tr> <td>(9)</td> <td>2</td> <td>M2,5x6 Linsenkopfschraube</td> <td>(18)</td> <td>1</td> <td>M2,5x8 Senkkopfschraube</td> </tr> <tr> <td></td> <td></td> <td></td> <td>(19)</td> <td>2</td> <td>M2,5 Unterlegscheiben</td> </tr> </tbody> </table>	Ref.	Menge	Beschreibung	Ref.	Menge	Beschreibung	(1)	1	LIA-BV-150 Karte	(10)	4	M2,5x14 Linsenkopfschraube	(2)	1	Alu Leiterkartenabdeckung	(11)	2	M2,5x16 Senkkopfschraube	(3)	1	Bedruckte Frontplatte	(12)	2	M2,5 Fächerscheibe	(4)	2	Alu Kartenhalter	(13)	4	M2,5 Federring	(5)	1	Frontplattengriff	(14)	4	M2,5 Mutter	(6)	1	Griffblende	(15)	1	M2,5 Rechteckmutter	(7)	2	M2,5x4 Distanzhülse	(16)	2	Schraubensicherungsrippel	(8)	2	M2,5x7 Gewindebolzen	(17)	2	M2,5x11 Halsschraube	(9)	2	M2,5x6 Linsenkopfschraube	(18)	1	M2,5x8 Senkkopfschraube				(19)	2	M2,5 Unterlegscheiben
Ref.	Menge	Beschreibung	Ref.	Menge	Beschreibung																																																														
(1)	1	LIA-BV-150 Karte	(10)	4	M2,5x14 Linsenkopfschraube																																																														
(2)	1	Alu Leiterkartenabdeckung	(11)	2	M2,5x16 Senkkopfschraube																																																														
(3)	1	Bedruckte Frontplatte	(12)	2	M2,5 Fächerscheibe																																																														
(4)	2	Alu Kartenhalter	(13)	4	M2,5 Federring																																																														
(5)	1	Frontplattengriff	(14)	4	M2,5 Mutter																																																														
(6)	1	Griffblende	(15)	1	M2,5 Rechteckmutter																																																														
(7)	2	M2,5x4 Distanzhülse	(16)	2	Schraubensicherungsrippel																																																														
(8)	2	M2,5x7 Gewindebolzen	(17)	2	M2,5x11 Halsschraube																																																														
(9)	2	M2,5x6 Linsenkopfschraube	(18)	1	M2,5x8 Senkkopfschraube																																																														
			(19)	2	M2,5 Unterlegscheiben																																																														

FEMTO Messtechnik GmbH  
Paul-Lincke-Ufer 34  
D-10999 Berlin · Germany  
Tel.: +49 (0)30 – 4 46 93 86  
Fax: +49 (0)30 – 4 46 93 88  
E-Mail: [info@femto.de](mailto:info@femto.de)  
<http://www.femto.de>

Specifications are subject to change without notice. Information furnished herein is believed to be accurate and reliable. However, no responsibility is assumed by FEMTO Messtechnik GmbH for its use, nor for any infringement of patents or other rights granted by implication or otherwise under any patent rights of FEMTO Messtechnik GmbH. Product names mentioned may also be trademarks used here for identification purposes only.

© by FEMTO Messtechnik GmbH  
Printed in Germany

SOPHISTICATED TOOLS FOR SIGNAL RECOVERY

