

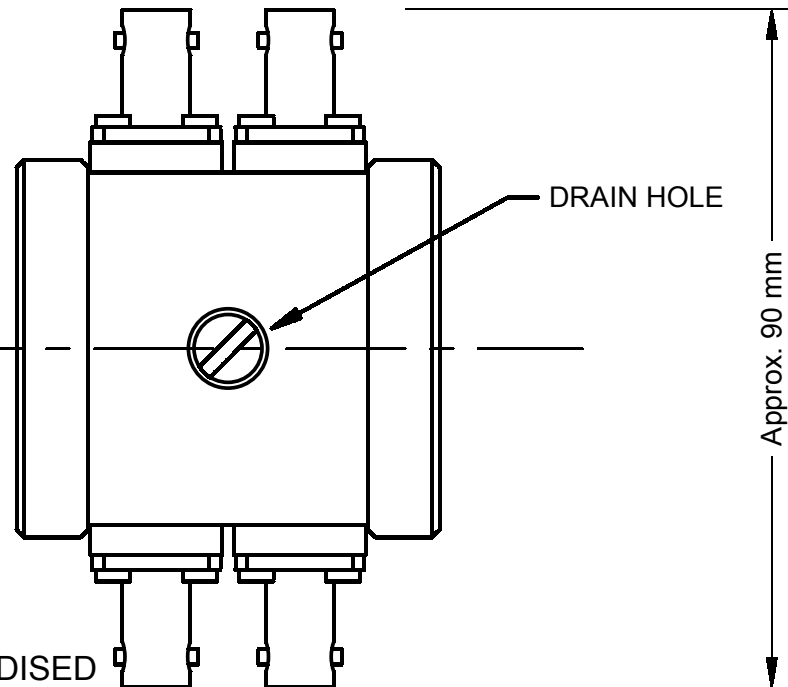
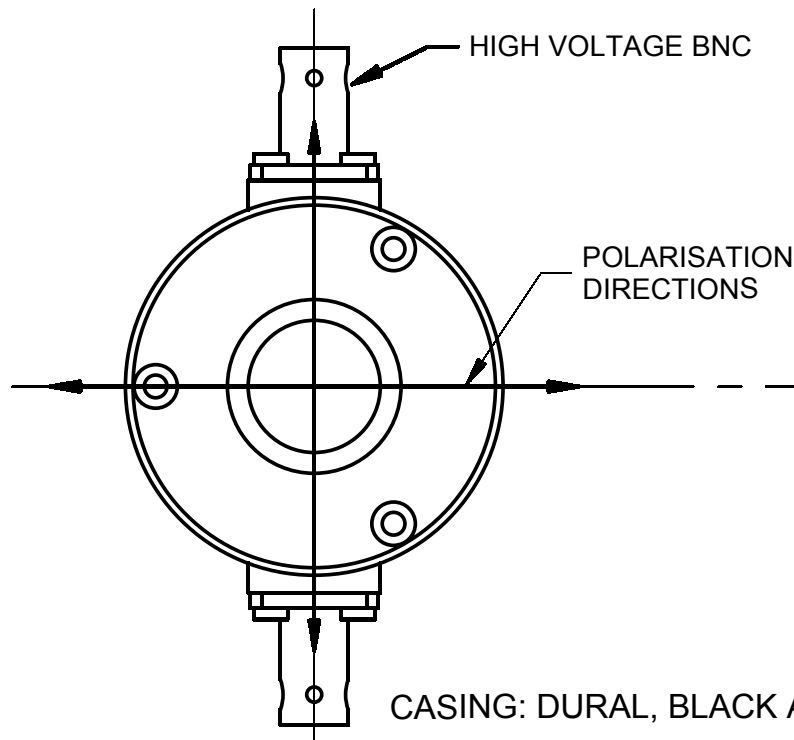
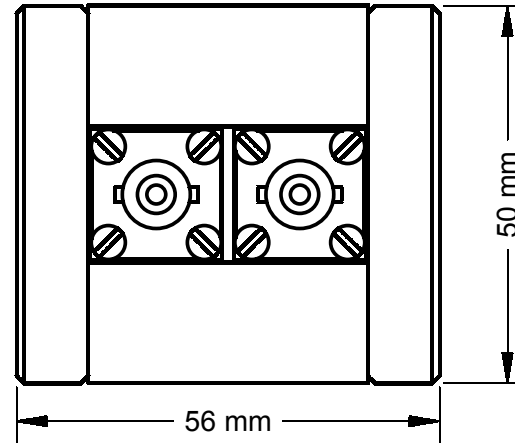


DRAWING FOR INFORMATION PURPOSES ONLY
DOES NOT FORM A PART OF ANY SPECIFICATION
IMPLIED OR OTHERWISE

DO NOT SCALE DRAWING

COMPONENT MAY BE CONFIGURED
WITH 1, 2, OR 4 CONNECTORS
4 CONNECTOR VERSION SHOWN

DESIGN SUBJECT TO CHANGE WITHOUT NOTICE



LEYSOP

EM508/510/512 Q-SWITCH INTERFACE

DRAWING

Scale
1:1

Drawn
SJP

Approved

Issue
2

Date
24/10/01