

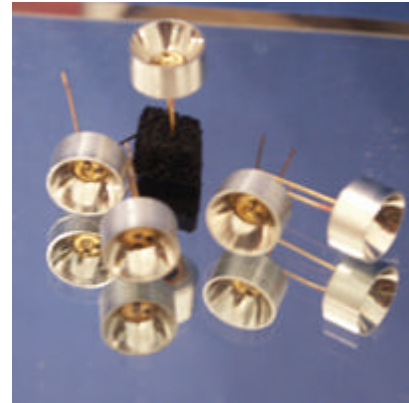
LIGHT EMITTING DIODES 1.6-4.6 μm

Model LED20-PR 2.05 mm 1.1 mW

•Light Emitting Diodes **LED20-PR** are designed for emitting at a spectral range around 2050 nm. Heterostructures (HS) are grown on GaSb substrates. The output emission can be modulated by current flowing in a forward direction.

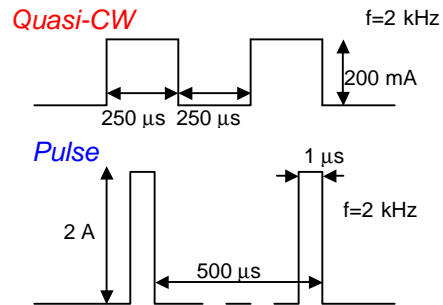
•Light Emitting Diodes **LED20-PR** are developed for using in optical gas sensors and medical diagnostics. They have stable output power and lifetime more than 10000 hours.

•Related products: **LED20-PR** can be used in optical pair with our photodiodes **PD24**. Our standard **LED Driver** provides power supply of **LED20-PR** in two recommended here regimes (Quasi-CW and Pulsed).



Parameters	Min	Typ	Max
Wavelength, μm	2.00	2.05	2.09
FWHM, μm	0.15	0.20	0.25
Optical Power, mW			
Quasi-CW @ 200 mA	0.9	1.1	1.3
Pulsed @ 1A	25	28	30
Switching Time, ns	10	30	50
Operating Temperature Range, $^{\circ}\text{C}$	-240 \pm +50		
Emitting Area, μm	300x300		
Soldering temperature	260 $^{\circ}\text{C}$		
Package	TO-18 with Parabolic Reflector		

Recommended regimes of operation



Package TO-18 with Reflector

