



Sockets



RoHS Compliant
ISO 9001
Certified

| IFW GmbH Sockets | | | | | | |
|----------------------------------|---|---------------|------------------|---------------|------------------|----------------|
| IFW GmbH Sockets Model Number | Andon Part Number Replace "XXX" with Terminal Type | Terminal Type | | Pin Ø [in] | Figure Number | Page Number |
| | | Thru-Hole | Surface Mount | | | |
| EPD-365-0/2,5 | R200-0402-02T-XXX-R27-L14 | 01S | 93S | .018 | 53A | 4 |
| JEC 0,1 | R200-0402-02T-XXX-R27-L14 | 01S | 93S | .018 | 53A | 4 |
| JEC 0,1I | R200-0403-02T-XXX-R27-L14 | 01S | 93S | .018 | 57T | 4 |
| JEC 0,1 IS | R100-0403-02N-XXX-R27-L14 | 75S | 265S | .018 | 22N | 3 |
| JEC 0,1 ISS2 | R100-0403-02N-XXX-R27-L14 | 75S | 265S | .018 | 22N | 3 |
| JEC 0,1 ISZ | R100-0403-02N-XXX-R27-L14 | 75S | 265S | .018 | 22N | 3 |
| JEC 0,1-4L | R200-0402-02T-XXX-R27-L14 | 01S | 93S | .018 | 53A | 4 |
| JEC 0,1S | R100-0402-06T-XXX-R27-L14 | 75S | 265S | .018 | 21C | 3 |
| JEC 0,1HT | R200-0402-02T-XXX-R27-L14 | 01S | 93S | .018 | 53A | 4 |
| JEC 0,1SHT | R100-0402-06T-XXX-R27-L14 | 75S | 265S | .018 | 21C | 3 |
| JEC 0,1SS | R100-0402-06T-XXX-R27-L14 | 75S | 265S | .018 | 21C | 3 |
| JEC 0,1SSHT | R100-0402-06T-XXX-R27-L14 | 75S | 265S | .018 | 21C | 3 |
| JEC 0,3 | R200-0402-02T-XXX-R27-L14 | 01S | 93S | .018 | 53A | 4 |
| JEC 0,3-4L | R200-0402-02T-XXX-R27-L14 | 01S | 93S | .018 | 53A | 4 |
| JEC 0,3-4SHT | R100-0402-06T-XXX-R27-L14 | 75S | 265S | .018 | 21C | 3 |
| JEC 0,3-4SSHT | R100-0402-06T-XXX-R27-L14 | 75S | 265S | .018 | 21C | 3 |
| JEC 0,3HT | R200-0402-02T-XXX-R27-L14 | 01S | 93S | .018 | 53A | 4 |
| JEC 0,3I | R200-0403-02T-XXX-R27-L14 | 01S | 93S | .018 | 57T | 4 |
| JEC 0,3 E | R200-0402-02T-XXX-R27-L14 | 01S | 93S | .018 | 53A | 4 |
| JEC 0,3 IS | R100-0403-02N-XXX-R27-L14 | 75S | 265S | .018 | 22N | 3 |
| JEC 0,3 ISZ | R100-0403-02N-XXX-R27-L14 | 75S | 265S | .018 | 22N | 3 |
| JEC 0,3S | R100-0402-06T-XXX-R27-L14 | 75S | 265S | .018 | 21C | 3 |
| JEC 0,3SHT | R100-0402-06T-XXX-R27-L14 | 75S | 265S | .018 | 21C | 3 |
| JEC 0,3SS | R100-0402-06T-XXX-R27-L14 | 75S | 265S | .018 | 21C | 3 |
| JEC 1 | R200-0402-02T-XXX-R27-L14 | 01S | 93S | .018 | 53A | 4 |
| JEC 1/0,1 I-DE | R200-0404-01T-XXX-R27-L14 | 01S | 93S | .018 | 62B | 4 |
| JEC 1 I-DE | R200-0403-02T-XXX-R27-L14 | 01S | 93S | .018 | 57T | 4 |
| JEC 1 IS | R100-0403-02N-XXX-R27-L14 | 75S | 265S | .018 | 22N | 3 |
| JEC 1 ISZ | R100-0403-02N-XXX-R27-L14 | 75S | 265S | .018 | 22N | 3 |
| JEC 1HT | R200-0402-02T-XXX-R27-L14 | 01S | 93S | .018 | 53A | 4 |
| JEC 1h | R200-0402-02T-XXX-R27-L14 | 01S | 93S | .018 | 53A | 4 |
| JEC 1I | R200-0403-02T-XXX-R27-L14 | 01S | 93S | .018 | 57T | 4 |
| JEC 1S | R100-0402-06T-XXX-R27-L14 | 75S | 265S | .018 | 21C | 3 |
| JEC 1SHT | R100-0402-06T-XXX-R27-L14 | 75S | 265S | .018 | 21C | 3 |
| JEC 1SS | R100-0402-06T-XXX-R27-L14 | 75S | 265S | .018 | 21C | 3 |
| JEC 1SSHT | R100-0402-06T-XXX-R27-L14 | 75S | 265S | .018 | 21C | 3 |
| JEC 4 | R200-0402-02T-XXX-R27-L14 | 01S | 93S | .018 | 53A | 4 |
| JEC 4HT | R200-0402-02T-XXX-R27-L14 | 01S | 93S | .018 | 53A | 4 |
| JEC1,6 | R200-0402-02T-XXX-R27-L14 | 01S | 93S | .018 | 53A | 4 |
| JEC1,6I | R200-0403-02T-XXX-R27-L14 | 01S | 93S | .018 | 57T | 4 |
| JEC5 | R200-0402-02T-XXX-R27-L14 | 01S | 93S | .018 | 53A | 4 |
| JEC5I | R200-0403-02T-XXX-R27-L14 | 01S | 93S | .018 | 57T | 4 |
| JI 100 EI 8UV-T1H | F700-SP16-01-XXX-R27-L14 | 295V | 439V | .030 | 252 | 4 |
| JI 447L | R200-0404-01T-XXX-R27-L14 | 01S | 93S | .018 | 62B | 4 |
| JI 448L | R200-0404-01T-XXX-R27-L14 | 01S | 93S | .018 | 62B | 4 |
| JI 546 | R200-0404-01T-XXX-R27-L14 | 01S | 93S | .018 | 62B | 4 |
| JI 547 | R200-0404-01T-XXX-R27-L14 | 01S | 93S | .018 | 62B | 4 |
| JI 548 | R200-0404-01T-XXX-R27-L14 | 01S | 93S | .018 | 62B | 4 |
| JI 576 | R200-0404-01T-XXX-R27-L14 | 01S | 93S | .018 | 62B | 4 |
| JI 577 | R200-0404-01T-XXX-R27-L14 | 01S | 93S | .018 | 62B | 4 |
| JI 578 | R200-0404-01T-XXX-R27-L14 | 01S | 93S | .018 | 62B | 4 |
| JIC 117 | R200-0404-01T-XXX-R27-L14 | 01S | 93S | .018 | 62B | 4 |
| JIC 118 | R200-0404-01T-XXX-R27-L14 | 01S | 93S | .018 | 62B | 4 |
| JIC 119 | R200-0404-01T-XXX-R27-L14 | 01S | 93S | .018 | 62B | 4 |
| JIC 119-22 | R200-0404-01T-XXX-R27-L14 | 01S | 93S | .018 | 62B | 4 |

IFW GmbH Sockets Continued

| IFW GmbH Sockets Model Number | Andon Part Number Replace "XXX" with Terminal Type | Terminal Type | | Pin Ø [in] | Figure Number | Page Number |
|----------------------------------|---|---------------|------------------|---------------|------------------|----------------|
| | | Thru-Hole | Surface Mount | | | |
| JIC 119-22L | R200-0404-01T-XXX-R27-L14 | 01S | 93S | .018 | 62B | 4 |
| JIC 127 B | R200-0404-01T-XXX-R27-L14 | 01S | 93S | .018 | 62B | 4 |
| JIC 127 BC | R200-0404-01T-XXX-R27-L14 | 01S | 93S | .018 | 62B | 4 |
| JIC 127 C | R200-0404-01T-XXX-R27-L14 | 01S | 93S | .018 | 62B | 4 |
| JIC 128 B | R200-0404-01T-XXX-R27-L14 | 01S | 93S | .018 | 62B | 4 |
| JIC 128 BC | R200-0404-01T-XXX-R27-L14 | 01S | 93S | .018 | 62B | 4 |
| JIC 128 C | R200-0404-01T-XXX-R27-L14 | 01S | 93S | .018 | 62B | 4 |
| JIC 129 B | R200-0404-01T-XXX-R27-L14 | 01S | 93S | .018 | 62B | 4 |
| JIC 129 BC | R200-0404-01T-XXX-R27-L14 | 01S | 93S | .018 | 62B | 4 |
| JIC 129 C | R200-0404-01T-XXX-R27-L14 | 01S | 93S | .018 | 62B | 4 |
| JIC 129 L | R200-0404-01T-XXX-R27-L14 | 01S | 93S | .018 | 62B | 4 |
| JIC 137 | R200-0404-01T-XXX-R27-L14 | 01S | 93S | .018 | 62B | 4 |
| JIC 137 A | R200-0404-01T-XXX-R27-L14 | 01S | 93S | .018 | 62B | 4 |
| JIC 138 | R200-0404-01T-XXX-R27-L14 | 01S | 93S | .018 | 62B | 4 |
| JIC 138 A | R200-0404-01T-XXX-R27-L14 | 01S | 93S | .018 | 62B | 4 |
| JIC 139 | R200-0404-01T-XXX-R27-L14 | 01S | 93S | .018 | 62B | 4 |
| JIC 139 A | R200-0404-01T-XXX-R27-L14 | 01S | 93S | .018 | 62B | 4 |
| JIC 147 B | R200-0404-01T-XXX-R27-L14 | 01S | 93S | .018 | 62B | 4 |
| JIC 147 BC | R200-0404-01T-XXX-R27-L14 | 01S | 93S | .018 | 62B | 4 |
| JIC 147 C | R200-0404-01T-XXX-R27-L14 | 01S | 93S | .018 | 62B | 4 |
| JIC 148 B | R200-0404-01T-XXX-R27-L14 | 01S | 93S | .018 | 62B | 4 |
| JIC 148 BC | R200-0404-01T-XXX-R27-L14 | 01S | 93S | .018 | 62B | 4 |
| JIC 148 C | R200-0404-01T-XXX-R27-L14 | 01S | 93S | .018 | 62B | 4 |
| JIC 149 | R200-0404-01T-XXX-R27-L14 | 01S | 93S | .018 | 62B | 4 |
| JIC 149 B | R200-0404-01T-XXX-R27-L14 | 01S | 93S | .018 | 62B | 4 |
| JIC 149 BC | R200-0404-01T-XXX-R27-L14 | 01S | 93S | .018 | 62B | 4 |
| JIC 149 C | R200-0404-01T-XXX-R27-L14 | 01S | 93S | .018 | 62B | 4 |
| JIC 149 L | R200-0404-01T-XXX-R27-L14 | 01S | 93S | .018 | 62B | 4 |
| JIC 149 L-1 | R200-0404-01T-XXX-R27-L14 | 01S | 93S | .018 | 62B | 4 |
| JIC 157 | R200-0404-01T-XXX-R27-L14 | 01S | 93S | .018 | 62B | 4 |
| JIC 158 | R200-0404-01T-XXX-R27-L14 | 01S | 93S | .018 | 62B | 4 |
| JIC 159 | R200-0404-01T-XXX-R27-L14 | 01S | 93S | .018 | 62B | 4 |
| JIC 167 B | R200-0404-01T-XXX-R27-L14 | 01S | 93S | .018 | 62B | 4 |
| JIC 167 BC | R200-0404-01T-XXX-R27-L14 | 01S | 93S | .018 | 62B | 4 |
| JIC 168 B | R200-0404-01T-XXX-R27-L14 | 01S | 93S | .018 | 62B | 4 |
| JIC 168 BC | R200-0404-01T-XXX-R27-L14 | 01S | 93S | .018 | 62B | 4 |
| JIC 169 B | R200-0404-01T-XXX-R27-L14 | 01S | 93S | .018 | 62B | 4 |
| JIC 169 BC | R200-0404-01T-XXX-R27-L14 | 01S | 93S | .018 | 62B | 4 |
| JIC 317 | R200-0404-01T-XXX-R27-L14 | 01S | 93S | .018 | 62B | 4 |
| JIC 317 A | R200-0404-01T-XXX-R27-L14 | 01S | 93S | .018 | 62B | 4 |
| JIC 318 | R200-0404-01T-XXX-R27-L14 | 01S | 93S | .018 | 62B | 4 |
| JIC 318 A | R200-0404-01T-XXX-R27-L14 | 01S | 93S | .018 | 62B | 4 |
| JIC 319 | R200-0404-01T-XXX-R27-L14 | 01S | 93S | .018 | 62B | 4 |
| JIC 319 A | R200-0404-01T-XXX-R27-L14 | 01S | 93S | .018 | 62B | 4 |
| JIC 327 B | R200-0404-01T-XXX-R27-L14 | 01S | 93S | .018 | 62B | 4 |
| JIC 327 BC | R200-0404-01T-XXX-R27-L14 | 01S | 93S | .018 | 62B | 4 |
| JIC 327 C | R200-0404-01T-XXX-R27-L14 | 01S | 93S | .018 | 62B | 4 |
| JIC 328 B | R200-0404-01T-XXX-R27-L14 | 01S | 93S | .018 | 62B | 4 |
| JIC 328 BC | R200-0404-01T-XXX-R27-L14 | 01S | 93S | .018 | 62B | 4 |
| JIC 329 C | R200-0404-01T-XXX-R27-L14 | 01S | 93S | .018 | 62B | 4 |
| JIC 329 B | R200-0404-01T-XXX-R27-L14 | 01S | 93S | .018 | 62B | 4 |
| JIC 329 BC | R200-0404-01T-XXX-R27-L14 | 01S | 93S | .018 | 62B | 4 |
| JIC 329 C | R200-0404-01T-XXX-R27-L14 | 01S | 93S | .018 | 62B | 4 |
| JIC 337 | R200-0404-01T-XXX-R27-L14 | 01S | 93S | .018 | 62B | 4 |
| JIC 337 A | R200-0404-01T-XXX-R27-L14 | 01S | 93S | .018 | 62B | 4 |

| IFW GmbH Sockets <i>Continued</i> | | | | | | |
|-----------------------------------|---|---------------|------------------|---------------|------------------|----------------|
| IFW GmbH Sockets Model Number | Andon Part Number Replace "XXX" with Terminal Type | Terminal Type | | Pin Ø [in] | Figure Number | Page Number |
| | | Thru-Hole | Surface Mount | | | |
| JIC 338 | R200-0404-01T-XXX-R27-L14 | 01S | 93S | .018 | 62B | 4 |
| JIC 338 A | R200-0404-01T-XXX-R27-L14 | 01S | 93S | .018 | 62B | 4 |
| JIC 339 | R200-0404-01T-XXX-R27-L14 | 01S | 93S | .018 | 62B | 4 |
| JIC 339 A | R200-0404-01T-XXX-R27-L14 | 01S | 93S | .018 | 62B | 4 |
| JIC 347 B | R200-0404-01T-XXX-R27-L14 | 01S | 93S | .018 | 62B | 4 |
| JIC 347 BC | R200-0404-01T-XXX-R27-L14 | 01S | 93S | .018 | 62B | 4 |
| JIC 347 C | R200-0404-01T-XXX-R27-L14 | 01S | 93S | .018 | 62B | 4 |
| JIC 348 B | R200-0404-01T-XXX-R27-L14 | 01S | 93S | .018 | 62B | 4 |
| JIC 348 BC | R200-0404-01T-XXX-R27-L14 | 01S | 93S | .018 | 62B | 4 |
| JIC 348 C | R200-0404-01T-XXX-R27-L14 | 01S | 93S | .018 | 62B | 4 |
| JIC 349 B | R200-0404-01T-XXX-R27-L14 | 01S | 93S | .018 | 62B | 4 |
| JIC 349 BC | R200-0404-01T-XXX-R27-L14 | 01S | 93S | .018 | 62B | 4 |
| JIC 349 C | R200-0404-01T-XXX-R27-L14 | 01S | 93S | .018 | 62B | 4 |
| JIC 357 | R200-0404-01T-XXX-R27-L14 | 01S | 93S | .018 | 62B | 4 |
| JIC 357 A | R200-0404-01T-XXX-R27-L14 | 01S | 93S | .018 | 62B | 4 |
| JIC 358 | R200-0404-01T-XXX-R27-L14 | 01S | 93S | .018 | 62B | 4 |
| JIC 358 A | R200-0404-01T-XXX-R27-L14 | 01S | 93S | .018 | 62B | 4 |
| JIC 359 | R200-0404-01T-XXX-R27-L14 | 01S | 93S | .018 | 62B | 4 |
| JIC 359 A | R200-0404-01T-XXX-R27-L14 | 01S | 93S | .018 | 62B | 4 |
| JIC 367 B | R200-0404-01T-XXX-R27-L14 | 01S | 93S | .018 | 62B | 4 |
| JIC 367 BC | R200-0404-01T-XXX-R27-L14 | 01S | 93S | .018 | 62B | 4 |
| JIC 368 B | R200-0404-01T-XXX-R27-L14 | 01S | 93S | .018 | 62B | 4 |
| JIC 368 BC | R200-0404-01T-XXX-R27-L14 | 01S | 93S | .018 | 62B | 4 |
| JIC 369 B | R200-0404-01T-XXX-R27-L14 | 01S | 93S | .018 | 62B | 4 |
| JIC 369 BC | R200-0404-01T-XXX-R27-L14 | 01S | 93S | .018 | 62B | 4 |
| JQ 20P | R400-SP06-01T-XXX-R27-L14 | 01S | 93S | .018 | 162 | 4 |
| JQ 50P | R400-SP06-01T-XXX-R27-L14 | 01S | 93S | .018 | 162 | 4 |
| JQ 5P | R200-0404-01T-XXX-R27-L14 | 01S | 93S | .018 | 62B | 4 |
| JQ C4 | R200-0404-01T-XXX-R27-L14 | 01S | 93S | .018 | 62B | 4 |
| JQC5R | R200-0404-01T-XXX-R27-L14 | 01S | 93S | .018 | 62B | 4 |

Top View Shown
Units: in [mm]

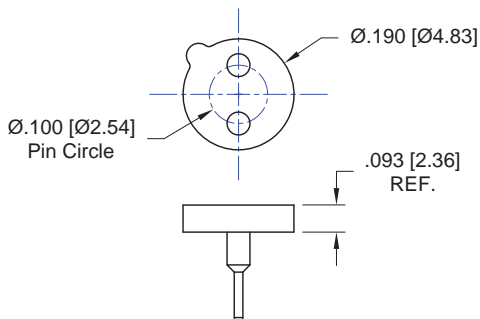


Fig. 21C

Thru-Hole: R100-0402-06T-75S-R27-L14
Surface Mount: R100-0402-06T-265S-R27-L14

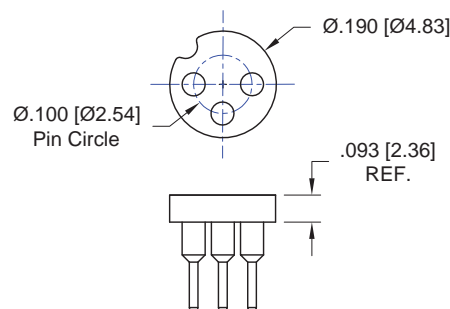


Fig. 22N

Thru-Hole: R100-0403-02N-75S-R27-L14
Surface Mount: R100-0403-02N-265S-R27-L14

IFW GmbH Sockets Continued

Top View Shown

Units: in [mm]

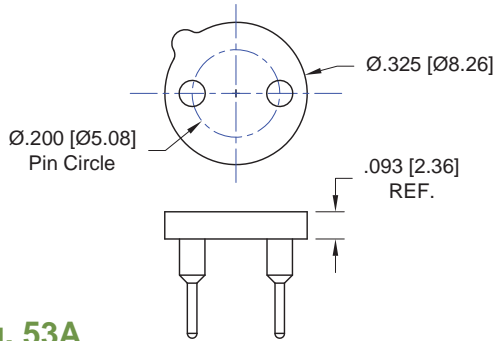


Fig. 53A

Thru-Hole: R200-0402-02T-01S-R27-L14
Surface Mount: R200-0402-02T-93S-R27-L14

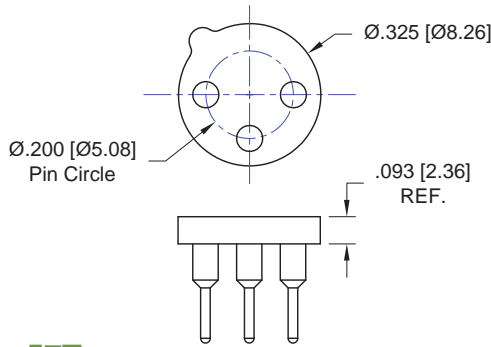
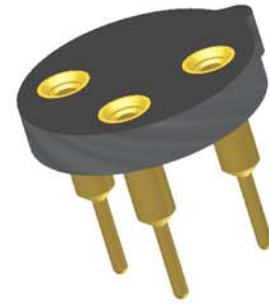


Fig. 57T

Thru-Hole: R200-0403-02T-01S-R27-L14
Surface Mount: R200-0403-02T-93S-R27-L14

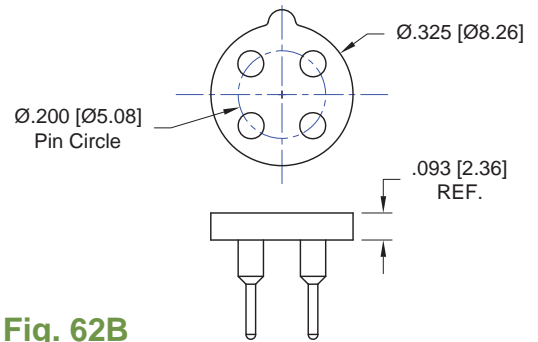


Fig. 62B

Thru-Hole: R200-0404-01T-01S-R27-L14
Surface Mount: R200-0404-01T-93S-R27-L14

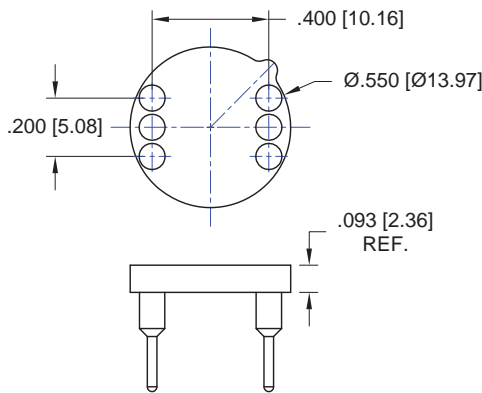


Fig. 162

Thru-Hole: R400-SP06-01T-01S-R27-L14
Surface Mount: R400-SP06-01T-93S-R27-L14

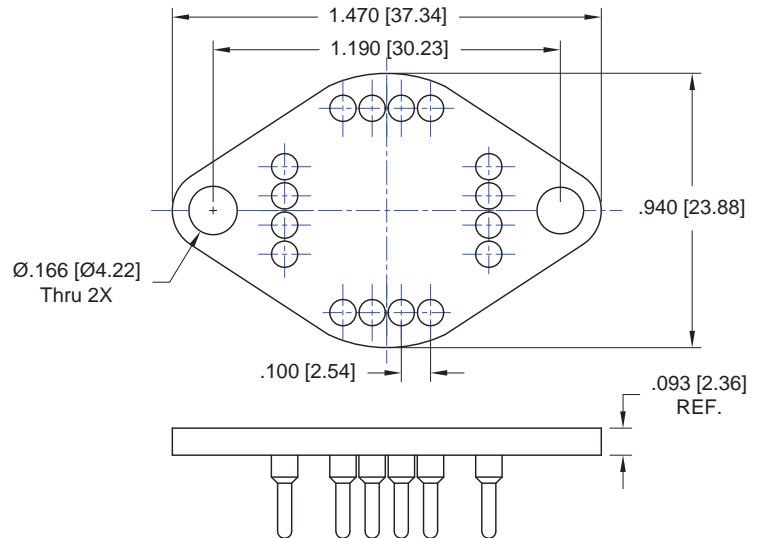
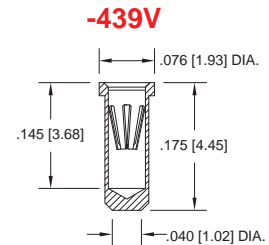
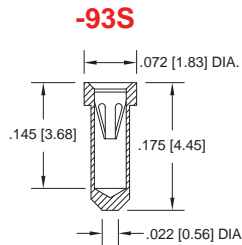
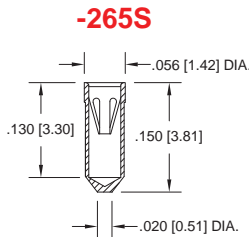
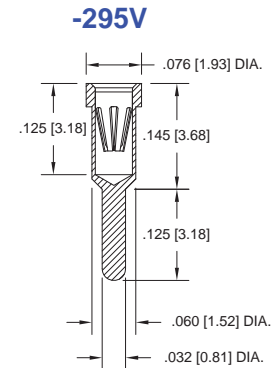
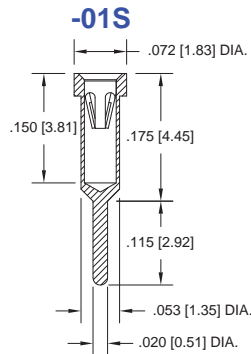
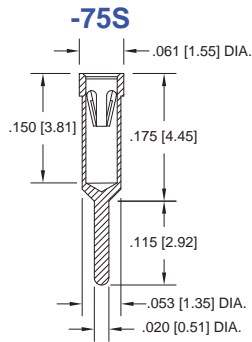


Fig. 252

Thru-Hole: F700-SP16-01-295V-R27-L14
Surface Mount: F700-SP16-01-439V-R27-L14

IFW GmbH Sockets Continued

Socket Terminal Details
Cross Section View Shown Units: in [mm]



Technical Information

Material:

Insulator: Hi-Temp UL 94V-O
Terminal: Brass, per ASTM-B16
Contact: BeCu, Per ASTM-B194

Plating: RoHS COMPLIANT

R27 TERMINAL: GOLD / CONTACT: GOLD

R17 TERMINAL: TIN / CONTACT: GOLD

OTHER PLATINGS AVAILABLE

Terminal Acceptance and Forces

| Thru Hole Terminals | | | | Surface Mount Terminals | | | |
|---------------------|----------------------|-----------------|------------------|-------------------------|----------------------|-----------------|------------------|
| Thru Hole Terminal | Accepts Pin Diameter | Insertion Force | Withdrawal Force | Surface Mount Terminal | Accepts Pin Diameter | Insertion Force | Withdrawal Force |
| -75S | Ø.018 [Ø1.46] | 9.0 oz Avg. | 2.0 oz Min | -265S | Ø.018 [Ø0.46] | 9.0 oz Avg. | 2.0 oz Min |
| -01S | Ø.018 [Ø0.46] | 9.0 oz Avg. | 2.0 oz Min | -93S | Ø.018 [Ø0.46] | 9.0 oz Avg. | 2.0 oz Min |
| -295V | Ø.030 [Ø0.76] | 13.2 oz Max | 3.5 oz Min | -439V | Ø.030 [Ø0.76] | 13.2 oz Max | 3.5 oz Min |

MOUNTING OPTIONS

