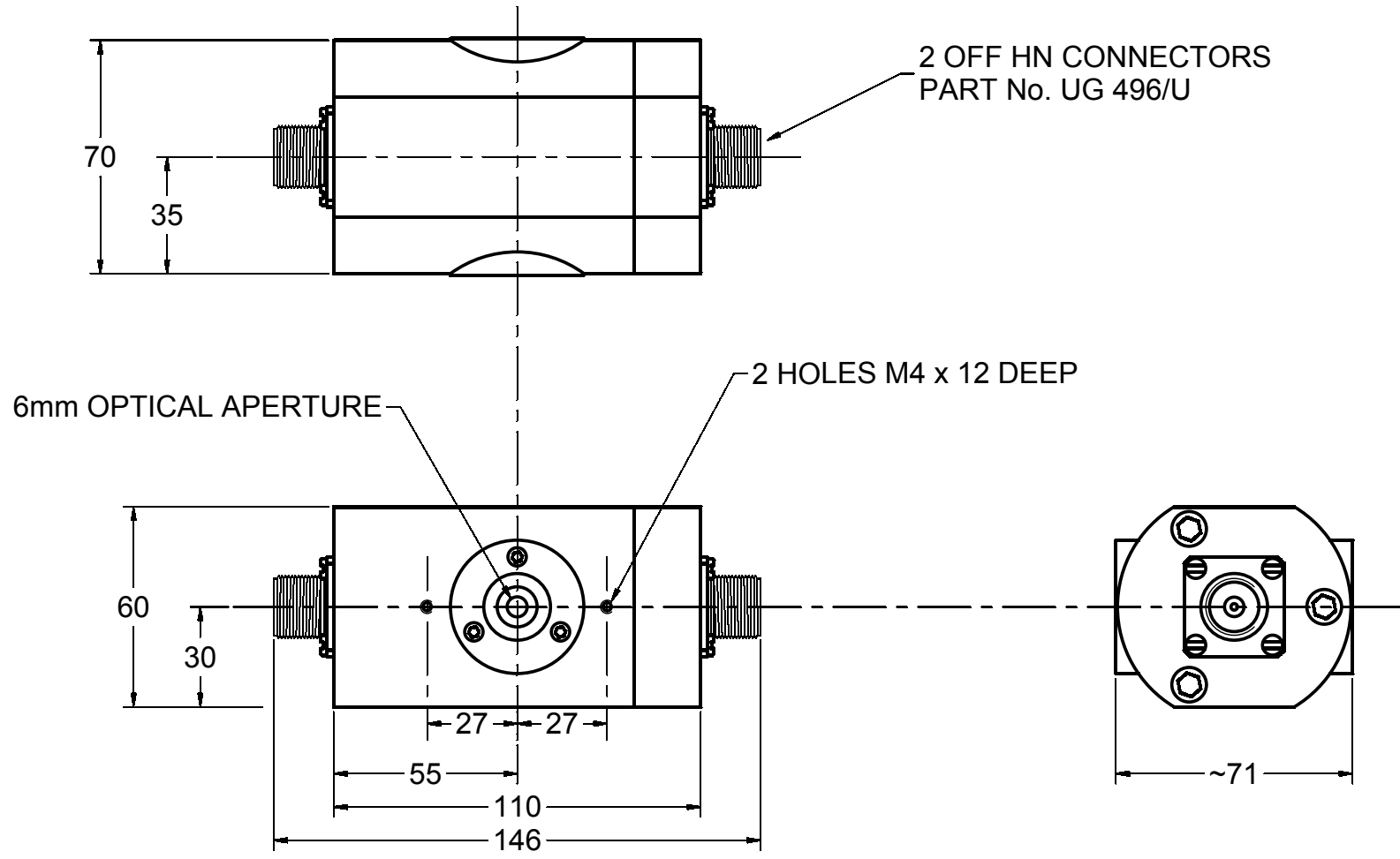




CASING MATERIAL: AEROSPACE GRADE ALUMINIUM ALLOY
FINISH: BLACK ANODISED



LEYSOP

ULTRA FAST POCKELS CELL (UPC)
INTERFACE DIAGRAM

Scale 1:2	Drawn S. PAYNE	Approved P. FRANKS	Issue 1	Date 07/06/02
Drawing No. 82-Part-7		Dim. mm	Tolerances Unless Otherwise Stated ±0.1	