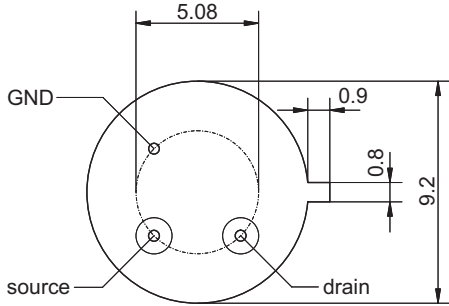
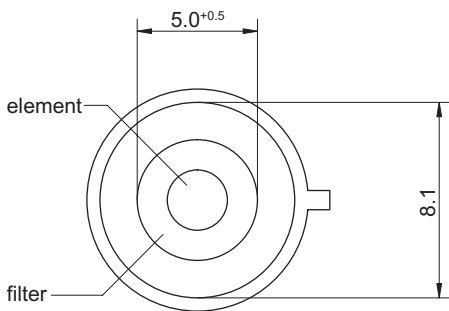
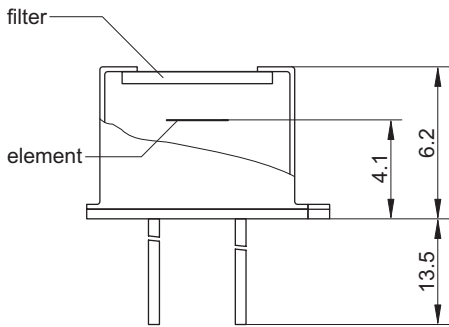


HPS A05F

Pyroelectric Single Element Detector for Measurement Applications



bottom view



| | |
|-------------------------------------|-------------------------------|
| element size | ∅ 2.5 mm |
| aperture | 5.0 ^{+0.5} mm |
| filter ³ | Ge* or Si* (8-14 μm) |
| responsivity ^{1,2} | > 220 V/W |
| noise ¹ | < 140 nV/√Hz |
| specific detectivity ^{1,2} | > 4 · 10 ⁸ cm√Hz/W |
| offset voltage | 0.4-1.5 V |
| operating voltage | 2-18 V |
| housing | TO 39 |
| operating temperature | -20 to 70 °C |
| storage temperature | -20 to 70 °C |

1) frequency: 10 Hz, detector temperature: 25 °C

2) blackbody source temperature: 500 K, filter transmission: 100 %

3) other filters on request

