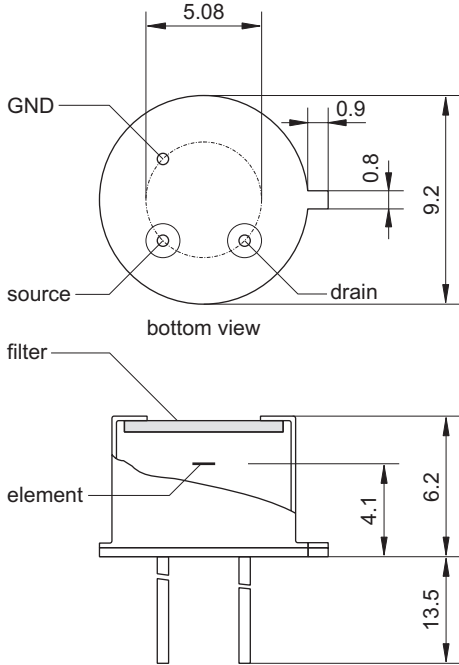


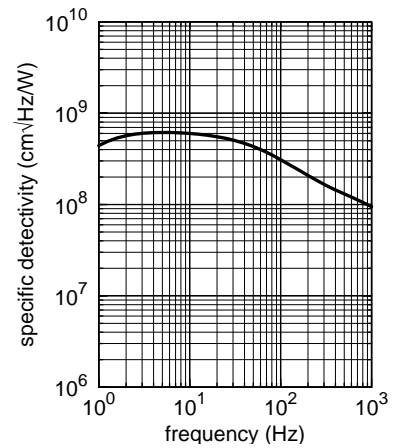
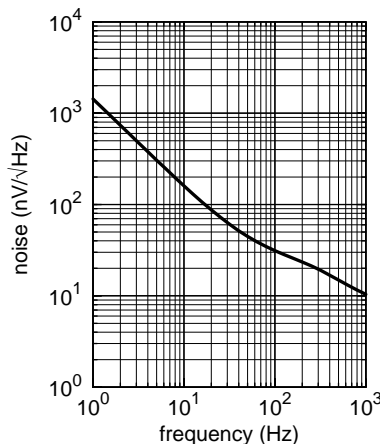
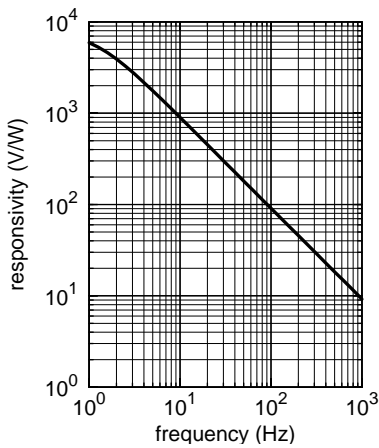
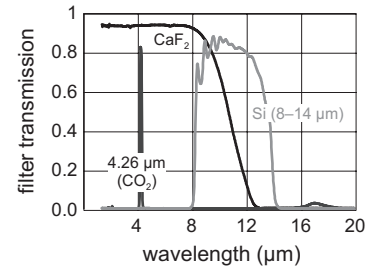
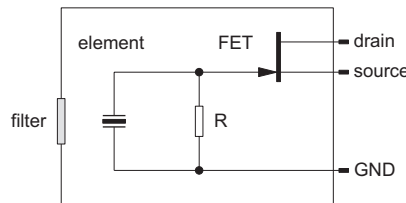
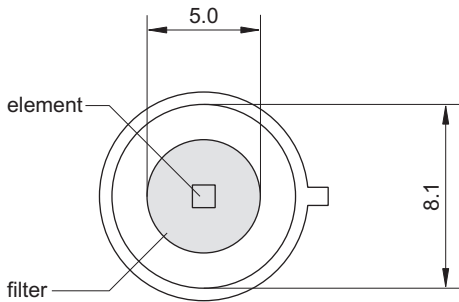
# LTI Q1

## Pyroelectric Single Element Detector for Measurement Applications



element size	1 mm × 1 mm
aperture	5.0 mm
filter <sup>3</sup>	custom-designed
responsivity <sup>1,2</sup>	>900 V/W
noise <sup>1</sup>	<160 nV/ $\sqrt{\text{Hz}}$
specific detectivity <sup>1,2</sup>	>6·10 <sup>8</sup> cm $\sqrt{\text{Hz}}$ /W
offset voltage	0.4 to 1.5 V
operating voltage	2 to 18 V
housing	TO 39
operating temperature	-20 to 70 °C
storage temperature	-20 to 70 °C

- 1) frequency: 10 Hz, detector temperature: 25 °C
- 2) black body source temperature: 500 K, filter transmission: 100 %
- 3) other filters on request



Further developments may entail modifications of indicated data without notification. Revision 05/2005. 04052005 scitec\_ltiq1\_eng

Scitec Instruments Ltd – Bartles Industrial Estate  
 North Street, Redruth, TR15 1HR UK  
 phone: +44 (0)1209 314 608 · fax: +44 (0)1209 314 609  
 e-mail: [sales@scitec.uk.com](mailto:sales@scitec.uk.com) · [www.scitec.uk.com](http://www.scitec.uk.com)

