

TOCON_housing *optional TOCON feature*



Miniature Housing with M12x1 Thread and Plug Connector

General Features



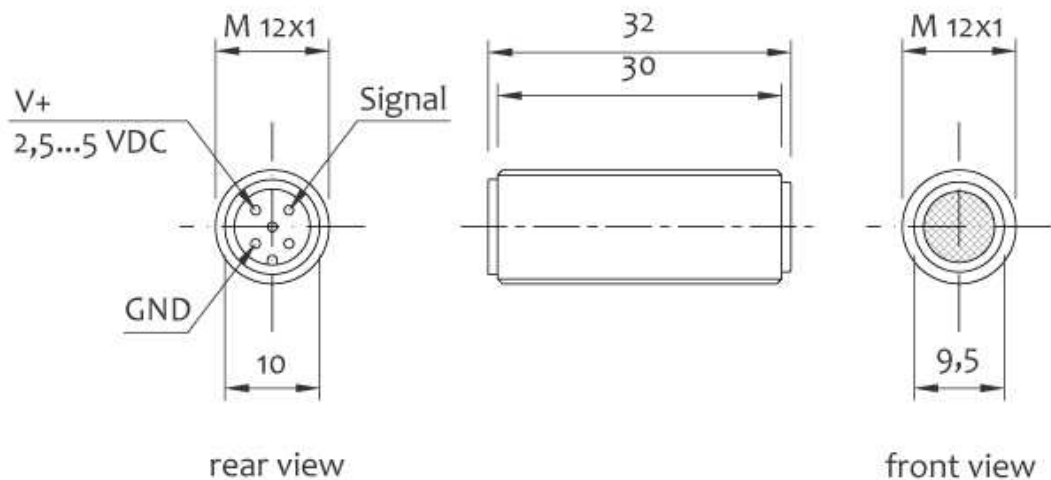
Properties of the TOCON_housing

- Optional feature for all TOCON detectors
- Robust stainless steel M12x1 thread body
- Integrated sensor connector (Binder 5-Pin plug)
- Comes with 2 m connector cable
- Easy to mount and connect

Features of the integrated TOCON pre-amplified UV photodetectors

The TOCON devices are using modern hybride technology to cancel unwanted signal disturbances caused by moisture or electromagnetic radiation. The stable 0...5V output voltage can be directly connected to a SPC controller or a voltage multimeter. No amplifier is needed.

Drawing and Connection



cable configuration :
 black : +V
 brown : ground
 blue : signal

