

Specification Sheet CARBON MONOXIDE 4 SE 10 V

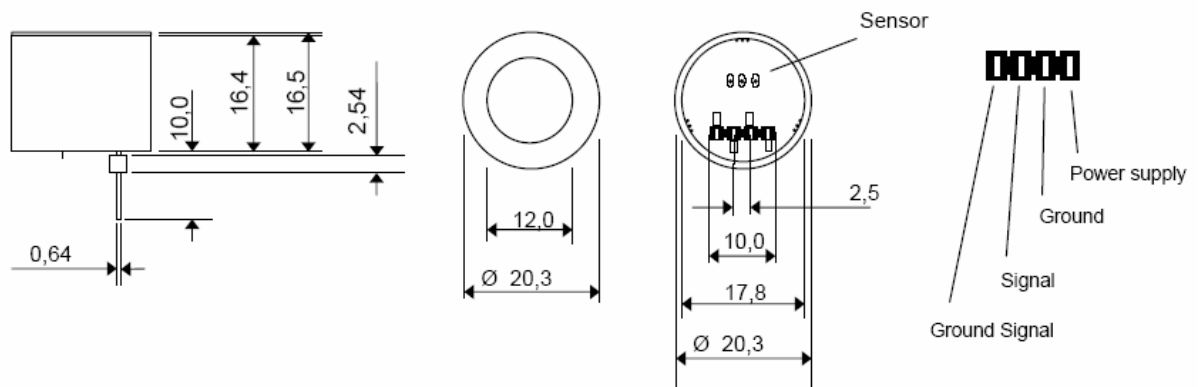
Preliminary

Sensor Type	CO Sensor 4 SE 10 V
Detectable Gases	CO Carbon Monoxide
Part Number	01-14-40-02
Measuring Principle	Amperometric 3-electrode sensor
Specific Sensor Data	no
Connector	4 pin socket connector



Standard Range	0 – 1000 ppm
Lower Detectable Limit (LDL)	3 ppm
Maximum Range	2000 ppm
MAK/TLV	30 ppm
Long Term Sensitivity Drift	< 1 % / month
Deviation from linearity at standard range	< 10 % FS
Zero voltage at normal conditions	0,8 to 1,2 V (shifted for Offset)
Sensitivity	0,5 to 50 mV/ppm
Output Range	1 – 10 V
Supply Voltage	12 to 24 V
Response time at target level	
T50	< 10 s
T90	< 30 s
Sensor warm up time typically	60 s
Operating conditions	- 20°C ... +50°C 15 ... 90 % r. h. < 1 %/°C Incl. NTC temperature compensation
Temperature dependence	
Sensor life time	5 years expected
Sensor dimensions	Ø 20,3 mm; Height 26,5 mm

Dimensions Solidsense sensor 4 SE
(all dimensions in mm ± 0,15 mm tolerance)





Specification Sheet CO 4 SE 10 V

Cross Sensitivity

<i>Gas</i>	<i>Formula</i>	<i>Test Gas Concentration</i>	<i>Reading in ppm</i>
Ammonia	NH ₃	25 ppm	0
Carbon Dioxide	CO ₂	5000 ppm	0
Carbon Monoxide	CO	60 ppm	60
Chlorine	Cl ₂	1.0 ppm	?
Hydrocarbons unsaturated	-	1 %	0.0
Hydrogen	H ₂	100 ppm	30
Hydrogen Sulphide	H ₂ S	25 ppm	0
Isopropanol	C ₃ H ₇ OH	1000 ppm	0
Nitric Oxide	NO	20 ppm	?
Nitrogen Dioxide	NO ₂	10 ppm	?
Ozone	O ₃	0.5 ppm	0
Sulphur Dioxide	SO ₂	20 ppm	?

Please Note: Test conditions at 20°C/ 1013 hPa, Flow Rate > 500 qcm/min
 Cross sensitivity gases are not target gases. Relation can change with aging.

Solidsense GmbH believes the data contained herein are factual, and the opinions expressed are of qualified experts regarding the results of tests conducted, the data are not to be taken as warranty or representation which Solidsense assumes legal responsibility. The data are offered solely for consideration, investigation, and verification. Any use of these data and information must be determined by the user to be in accordance with federal, state, and local laws and regulations. Specifications are subject to change without notice.

Rev.: 101125