

Specification Sheet HYDROGEN 4 SE 5 V

Preliminary

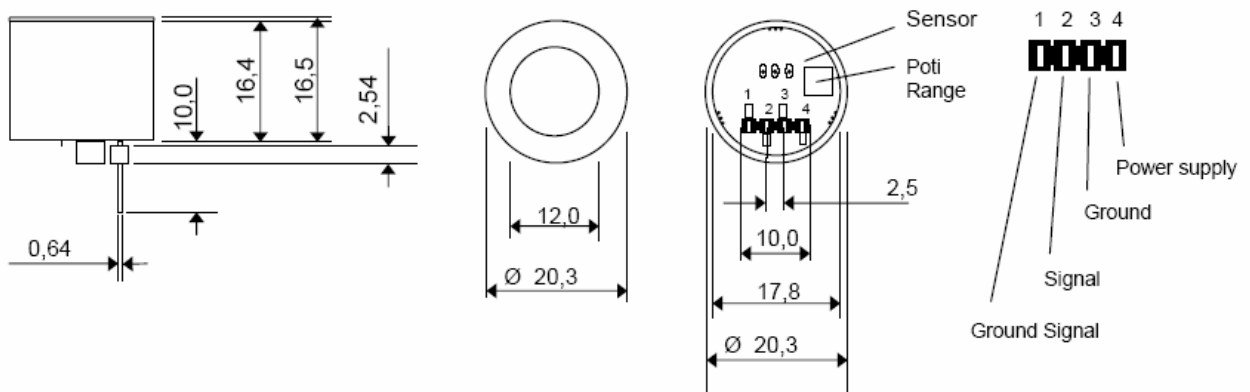
<i>Sensor Type</i>	<i>H2 Sensor 4 SE 5 V</i>
<i>Detectable Gases</i>	<i>H2 Hydrogen</i>
<i>Part number</i>	<i>01-34-10-02</i>
<i>Measuring Principle</i>	<i>Amperometric 3-electrode sensor</i>
<i>Specific Sensor Data</i>	<i>no</i>
<i>Connector</i>	<i>4 pin and socket connector</i>



Standard Range	0 – 20.000 ppm
Lower Detectable Limit (LDL)	100 ppm
Maximum Range	40.000 ppm
LEL	40.000 ppm
Long Term Sensitivity Drift	< 20 % / year
Deviation from linearity at standard range	< 20 % FS
Zero voltage at normal conditions	200 mV (\pm 10 mV) shifted for Offset)
Sensitivity	0,12 mV to 0,24 mV/ppm
Output Range	0 – 5 V
Supply Voltage	6 to 12 V
Response time at target level	
T50	< 10 s
T90	< 30 s
Sensor warm up time typically	20 s
Operating conditions	- 20°C ... +60°C 15 ... 90 % r. h.
Sensor life time	5 years expected
Sensor dimensions	\varnothing 20,3 mm; Height 26,5 mm

Technical Specifications

Dimensions SolidSense sensor 4 SE
(all dimensions in mm \pm 0,15 mm tolerance)



Other Detection Ranges on Request



Specification Sheet Hydrogen 4 SE 5 V Cross Sensitivity

<i>Gas</i>	<i>Formula</i>	<i>Test Gas Concentration</i>	<i>Reading in ppm</i>
Ammonia	NH ₃	25 ppm	0
Carbon Dioxide	CO ₂	5000 ppm	0
Carbon Monoxide	CO	50 ppm	37
Chlorine	Cl ₂	1.0 ppm	0
Hydrocarbons unsaturated	-	1 %	0
Hydrogen	H ₂	1000 ppm	1000
Hydrogen Sulphide	H ₂ S	10 ppm	0
Isopropanol	C ₃ H ₇ OH	1000 ppm	0
Nitric Oxide	NO	20 ppm	?
Nitrogen Dioxide	NO ₂	10 ppm	?
Ozone	O ₃	0.5 ppm	0
Sulphur Dioxide	SO ₂	20 ppm	?

Please Note: Test conditions at 20°C/ 1013 hPa, Flow Rate > 500 qcm/min
 Cross sensitivity gases are not target gases. Relation can change with aging.

Solidsense GmbH believes the data contained herein are factual, and the opinions expressed are of qualified experts regarding the results of tests conducted, the data are not to be taken as warranty or representation which Solidsense assumes legal responsibility. The data are offered solely for consideration, investigation, and verification. Any use of these data and information must be determined by the user to be in accordance with federal, state, and local laws and regulations. Specifications are subject to change without notice.