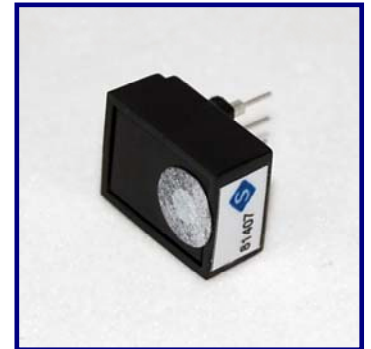


SEC Gas Sensor

HYDROGEN *Micro*

Technical Specification

Sensor Type	H ₂ 1000 Micro
Detectable Gases	Hydrogen
PN single sensor	01-27-10-01
Measuring Principle	Amperometric 3-electrode sensor
Contact	3 pins * non solderable
Standard Range	0 – 20.000 ppm
Lower Detectable Limit (LDL)	10 ppm
Maximum Range	40.000 ppm
LEL	40.000 ppm
Long Term Sensitivity Drift	< 10 % / year
Linearity at standard range	< 10 % FS
Repeatability	> 98 % of signal
Zero current at normal conditions	+/- 100 nA
Sensitivity	0,4 ... 10,0 nA/ppm
Response time at target level	
T50	< 10 s
T90	< 30 s
Sensor warm up time typically	20 s
Operating conditions	- 20°C ... + 80°C 10 ... 95 % r. h.
Expected life time	5 years



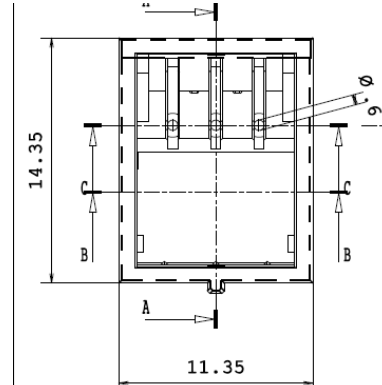
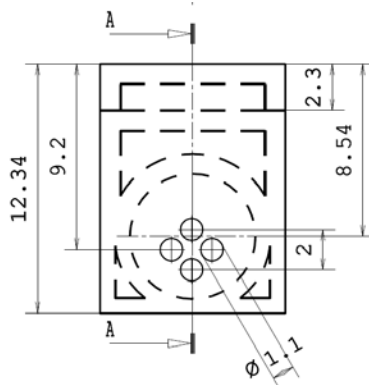
HYDROGEN *Micro*

Dimensional Drawing

Sensor dimensions without pins

6,5 mm x 11,4 mm x 14,4 mm

± 0,15 mm tolerance



* Soldering to the pins will damage the sensor

SEC Gas Sensor**HYDROGEN *Micro*****Temperature Dependence**

0,5%/°C (October 2010)

HYDROGEN *Micro***Cross Sensitivity**

Gas	Formula	Test Gas Concentration	Reading in ppm
Ammonia	NH ₃	25 ppm	0
Carbon Dioxide	CO ₂	5000 ppm	0
Carbon Monoxide	CO	50 ppm	37
Chlorine	Cl ₂	1.0 ppm	0
Hydrocarbons unsaturated	-	1 %	0.0
Hydrogen Sulphide	H ₂ S	10 ppm	440
Isopropanol	C ₃ H ₇ OH	1000 ppm	nA
Nitric Oxide	NO	20 ppm	0
Nitrogen Dioxide	NO ₂	10 ppm	nA
Ozone	O ₃	0.5 ppm	0
Sulphur Dioxide	SO ₂	20 ppm	0

Note:

Test conditons at 20°C/ 1013 hPa, Flow Rate > 500 qcm/min
Cross sensitivity gases are not target gases. Relation can change with aging.

Solidsense GmbH believes the data contained herein are factual, and the opinions expressed are of qualified experts regarding the results of tests conducted, the data are not to be taken as warranty or representation which Solidsense assumes legal responsibility. The data are offered solely for consideration, investigation, and verification. Any use of these data and information must be determined by the user to be in accordance with federal, state, and local laws and regulations. Specifications are subject to change without notice.

Solidsense GmbH - Felix-Wankel-Str. 5 - 82152 Krailling, Germany

Tel: +49 89 893 255 21 – Fax: +49 89 850 9374 – info@solidsense.de – www.solidsense.de