

Series 3730**Electropneumatic Positioner Type 3730-4
with PROFIBUS-PA communication**

SAMSON

Application

Positioner for attachment to pneumatic control valves

Travels 3.6 to 200 mm · Opening angle 24 to 100°

Smart, bus-powered field unit conforming to PROFIBUS-PA specification based on IEC 61158-2 transmission technology.



The microprocessor-controlled positioner compares the reference variable cyclically transmitted over the PROFIBUS-PA network to the travel or opening angle of the control valve and produces the corresponding output signal pressure.

The Type 3730-4 Positioner communicates using PROFIBUS-PA Profile Class B according to DIN EN 50170 and DIN 19245 Part 4 to exchange data with programmable logic controllers, automation systems and various engineering tools.

Other benefits provided by the smart positioner:

- DTM file available to integrate the positioner into FDT/DTM in compliance with specification 1.2
- Simple attachment to common linear with SAMSON direct attachment interface (Fig. 1), over NAMUR rib (Fig. 2) or to control valves with rod-type yokes according to IEC 60534-6-1 or to rotary actuators according to VDI/VDE 3845 (Fig. 3)
- Any desired mounting position
- One-knob, menu-driven operation
- Automatic initialization
- LCD easy to read in any mounting position due to selectable reading direction
- Integrated EXPERT diagnostics (T 8388 EN)
- Classified status alarms
- Control parameters can be changed online
- Automatic monitoring of zero point
- Calibrated travel sensor without gears susceptible to wear
- Permanent storage of all parameters in non-volatile EEPROM (protection against power failure)
- Temperature and supply air effects negligible
- Adjustable output pressure limitation
- Adjustable tight-closing function
- Binary input for DC voltage signals
- Certified according to IEC 61508/SIL

Additional options

- Inductive limit switch with proximity switch
- Integrated solenoid valve
- Binary input for floating contact
- External position sensor (Fig. 4)
- Extended EXPERT+ diagnostics (refer to T 8388 EN)
- Stainless steel housing



Fig. 1 · Type 3730,
direct attachment to Type
3277 Pneumatic Actuator

Fig. 2 · Type 3730,
attachment to NAMUR rib

Fig. 3 · Type 3730,
attachment according to
VDI/VDE 3845

Fig. 4 · Type 3730,
external position sensor with
Type 3510 Micro-flow Valve

Principle of operation

The electropneumatic positioner is attached to pneumatic control valves. It is used to assign the valve stem position (controlled variable x) to the control signal (reference variable w). The input signal received from a control system is compared to the travel or angle of rotation of the control valve and an output signal pressure (output variable y) is produced.

The positioner consists of an electric travel sensor system (2), an analog i/p converter with a downstream booster and the electronics unit with microcontroller (5).

When a deviation occurs, the actuator is pressurized or vented. If required, the changes in the signal pressure can be slowed down by a volume restriction. The signal pressure to the actuator can be limited by software to 1.4, 2.4 or 3.7 bar.

A constant air stream to the atmosphere is created by the flow regulator (9) with a fixed set point. The air stream is used to purge the inside of the case as well as to optimize the air capacity booster. The i/p module (6) is supplied with a constant upstream pressure by the pressure regulator (8) to make it independent of the supply air pressure.

The positioner communicates and is powered using IEC 61158-2 transmission technology conforming to PROFIBUS-PA specifications.

As a standard feature, the positioner comes with a binary input for DC voltage signals to signalize process information over the PROFIBUS-PA fieldbus.

Operation

The positioner is operated with a user-friendly rotary pushbutton. The parameters are selected by turning the knob, pushing it activates the required setting. In the menu, all parameters are listed in one level, meaning there is no need to search in submenus. All parameters can be checked and changed on site.

All values are displayed on the LCD. The reading direction of the LCD can be rotated by 180° at the push of a button.

The closing direction of the control valve is indicated to the positioner by the DIP switch "Air to open/Air to close". It assigns the CLOSED position of the control valve to the 0 % reading.

The INIT key activates initialization which is started according to the (pre)set parameters (autotune). After initialization is completed, the positioner immediately starts control operation.

Configuration with TROVIS-VIEW software

The SAMSON configuration software, TROVIS-VIEW, can be used to configure the positioner. For this purpose, the positioner is equipped with an additional digital interface to be connected to the RS-232 interface of a PC. The positioner is adapted to the process requirements over TROVIS-VIEW. The process can be checked while the process is running. The control valve is connected to the process over the PROFIBUS-PA fieldbus.

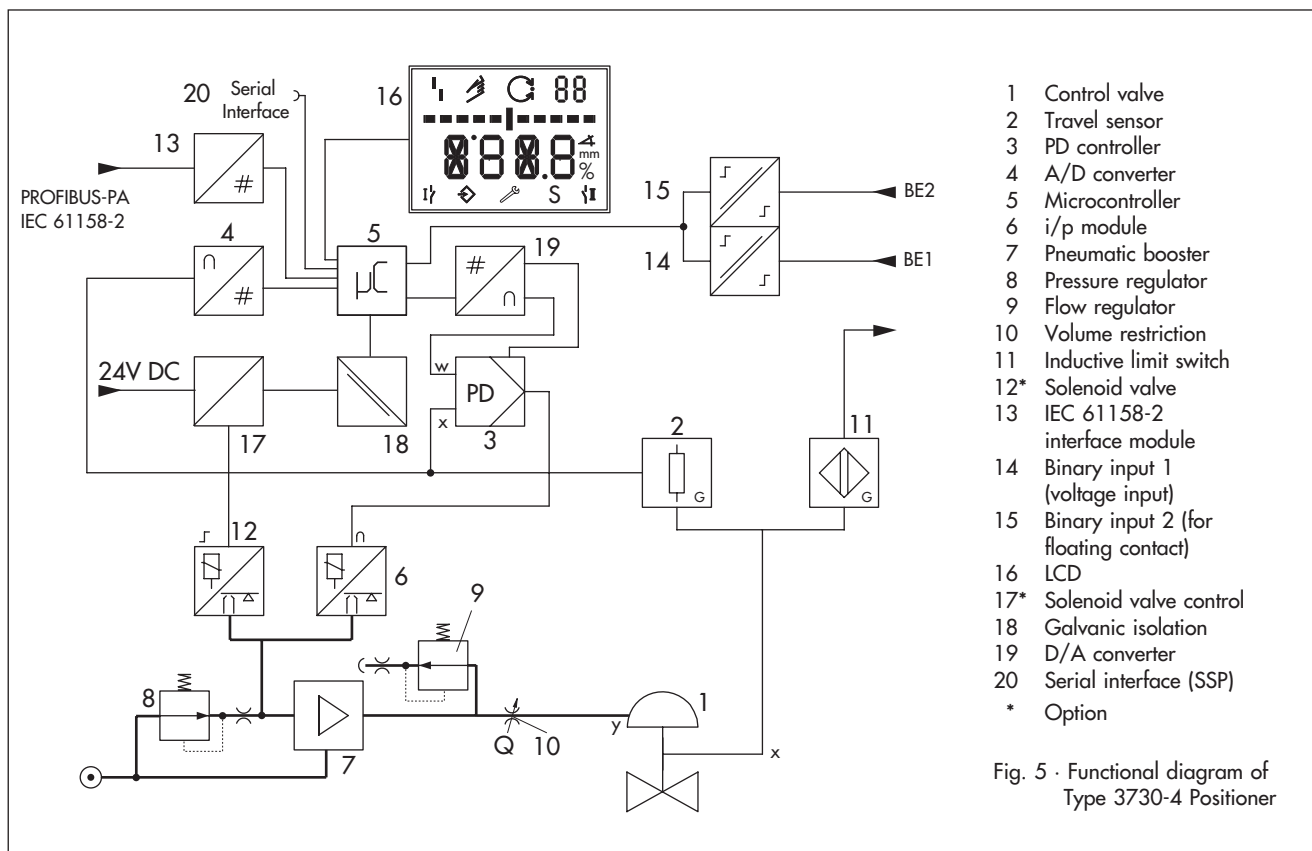


Fig. 5 · Functional diagram of Type 3730-4 Positioner

Table 1 · Technical data

Type 3730-4 PROFIBUS-PA Positioner	
Travel, adjustable	Direct attachment to Type 3277 Actuator 3.6 to 30 mm
	Attachment acc. to IEC 60 534-6-1: 3.6 to 200 mm
	Attachment to rotary actuators (VDI/VDE 3845) 24 to 100° opening angle
Travel range adjustable	Within the initialized travel/angle of rotation; restricted to 1/5 at the maximum
Busanschluss	Fieldbus interface conforming to IEC 61158-2, bus-powered Field device according to FISCO (Fieldbus Intrinsically Safe COnccept)
Communication	
Fieldbus	Data transmission conforming to PROFIBUS-PA specification, Profile Class B acc. to EN 50170 and DIN 19245 Part 4
	DTM file acc. to specification 1.2, suitable for integrating the positioner into frame applications that support the FDT/DTM concept. Other integrations, e.g. PDM also possible
Local	SAMSON SSP interface and serial interface adapter
Software requirements	TROVIS-VIEW with database module 3730-4
Permissible operating voltage	9 to 32 V DC · Powered over bus line The limits in the EC Type Examination Certificate additionally apply for explosion-protected devices.
Maximum operating current	15 mA
Additional current in case of fault	0 mA
Supply air Supply pressure Air quality	1.4 to 6 bar (20 to 90 psi) Acc. to ISO 8573-1 (2001): Max. particle size and density: Class 4 · Oil content: Class 3 Pressure dew point: Class 3 or at least 10 K below the lowest ambient temperature to be expected
Signal pressure (output)	0 bar up to the capacity of the supply pressure
Characteristics	Linear/equal percentage/reverse equal percentage · User-defined (over operating software and communication) · Butterfly valve, rotary plug valve and segmented ball valve: Linear/equal percentage Deviation from terminal-based conformity ≤ 1 %
Hysteresis	≤ 0.3 %
Sensitivity	≤ 0.1 %
Direction of action	Reversible
Air consumption	Independent of supply air approx. 110 l _n /h
Air output capacity	Actuator pressurized At Δp = 6 bar: ≥ 8.5 m _n ³ /h · At Δp = 1.4 bar: ≥ 3.0 m _n ³ /h · K _{Vmax} (20 °C) = 0.09
	Actuator vented At Δp = 6 bar: ≥ 14.0 m _n ³ /h · At Δp = 1.4 bar: ≥ 4.5 m _n ³ /h · K _{Vmax} (20 °C) = 0.15
Permissible ambient temperature	-40 to +80 °C The limits in the EC Type Examination Certificate additionally apply for explosion-protected devices.
Influences	Temperature ≤ 0.15 %/10 K
	Supply air None
	Vibrations ≤ 0.25 % up to 2000 Hz and 4 g acc. to IEC 770
Electromagnetic compatability	Complies with EN 61000-6-2, EN 61000-6-3 and NAMUR Recommendation NE 21 requirements
Electrical connections	One M20x1.5 cable gland for 6 to 12 mm clamping range · Second M20x1.5 threaded connection additionally exists · Screw terminals for 0.2 to 2.5 mm ² wire cross-sections
Degree of protection	IP 66 / NEMA 4X
Implementation in safety-related systems in compliance with IEC 61508/SIL	Probability of failure on demand of safety functions PFD < 2.8 x 10 ⁻⁷ for a confidence level of 95 %. The safe failure fraction (SFF) according to Table A1 in IEC 61508-2 is greater or equal to 0.99. Suitable for implementation in safety-related systems with a hardware fault tolerance of 1 or 2 up to and including SIL 4.
Binary input 1	
Input	5 to 30 V DC · Reverse polarity protection · Static destruction limit 40 V/5.8 mA Current consumption 3.5 mA at 24 V, electrically isolated
Signal	Signal "1" at U _e > 5 V Signal "0" at U _e < 3 V

Type 3730-4 PROFIBUS-PA Positioner	
Materials	
Housing	Die-cast aluminum EN AC-43400 / DIN EN 1706 · Chromated and powder paint coated Special version in stainless steel 1.4581
External parts	Stainless steel 1.4571 and 1.4301
Cable gland	Nickel-plated brass, M20 x 1.5
Weight	Approx. 1.0 kg
Binary input 2 for floating contact	
Switching input	R < 100 Ω · Contact load 100 mA · Static destruction limit 20 V/5.8 mA · Galvanically isolated
Solenoid valve · Approval acc. to IEC 61508/SIL	
Input	24 V DC · Maximum 40 V · Reverse polarity protection · Static destruction limit 40 V
Signal	Signal "0" no pick-up ≤ 15 V Signal "1" safe pick-up > 19 V
Service life	> 5 x 10 ⁶ switching cycles
Implementation in safety-related systems in compliance with IEC 61508/SIL	Same as positioner pneumatics
Inductive limit switch	
SJ-2SN proximity switch	For connection to switching amplifier acc. to EN 60947-5-6

Summary of explosion protection certificates

Type of approval	Certificate number	Date	Comments
EC Type Examination Certificate	PTB 04 ATEX 2109	2004-10-25	⊕ II 2 G EEx ia IIC T6
			⊕ II 2 D IP 65 T 80 °C; Zone 21; Type 3730-41
Statement of Conformity	PTB 05 ATEX 2010 X	2005-02-16	⊕ II 3 G EEx nA/nL IIC T6; Zone 2
			⊕ II 3 D IP 65 T 80 °C; Zone 22; Type 3730-48
FM approval	3023605	2005-10-31	Intrinsically safe; Class I, II, III; Div. 1, Groups A-G Class I, Zone 0, AEx ia IIC Non incensive; Class I, Div. 2, Groups A, B, C, D Class II, Div. 2, Groups F, G, Type 4X Type 3730-43
CSA approval	1675787	2006-01-31	Ex ia IIC T6; Class II, Div. 1, Groups E, F, G; Type 4 Enclosure Ex nA IIC T6; Class I, Div. 2, Groups A, B, C, D; Class II, Groups E, F, G; Type 4 Enclosure Type 3730-43
NEPSI approval	GYJ06173	2006-01-24	Ex ia IIC T6; valid until 2011-01-23; Type 3730-51
	GYJ06174	2006-01-24	Ex nA II T6; Ex nL IIC T6; valid until 2011-01-23 Type 3730-58

Power supply and bus connection

The Type 3730-4 PROFIBUS-PA Positioner must be connected to bus segments complying with IEC 61158-2 requirements. A shielded two-wire line is used for both supply power and data communication.

Positioner attachment

The Type 3730-4 PROFIBUS-PA Positioner can be attached directly to the Type 3277 Actuator over a connection block. In actuators with fail-safe action "Actuator stem extends" and Type 3277-5 Actuator (120 cm²), the signal pressure is routed over an internal bore in the actuator yoke to the actuator. In actuators with fail-safe action "Actuator stem retracts" and in actuators with effective diaphragm areas of 240 cm² or larger, the

signal pressure is routed to the actuator over a ready-made external piping. Using the appropriate bracket, the positioner can also be attached according to IEC 60534-6-1 (NAMUR recommendation). The positioner can be mounted on any side of the control valve.

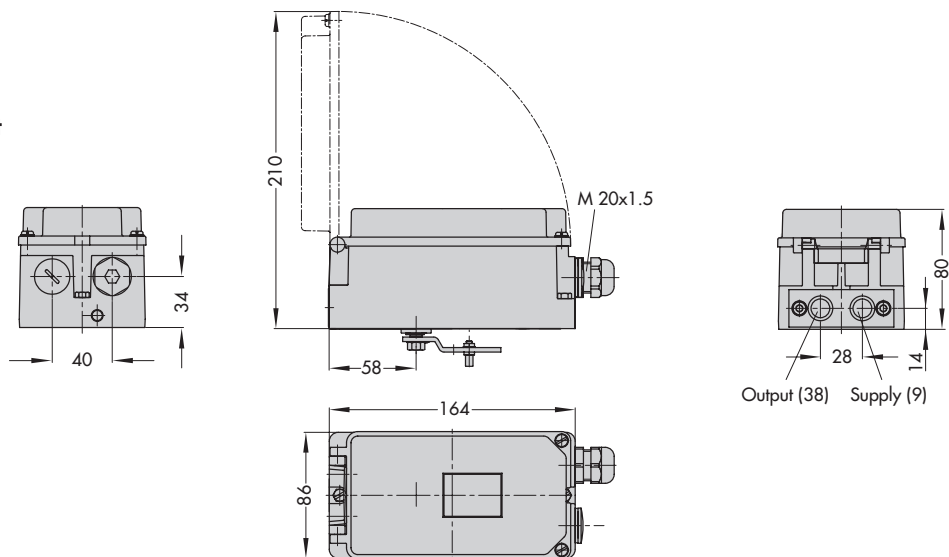
A pair of universal brackets is used for the attachment to Type 3278 Rotary Actuators or other rotary actuators according to VDI/VDE 3845. The rotary motion of the actuator is transferred over a coupling wheel to the positioner.

The characteristic is set in the software.

A reversing amplifier is required for double-acting, springless actuators for the second opposing signal pressure.

Dimensions in mm

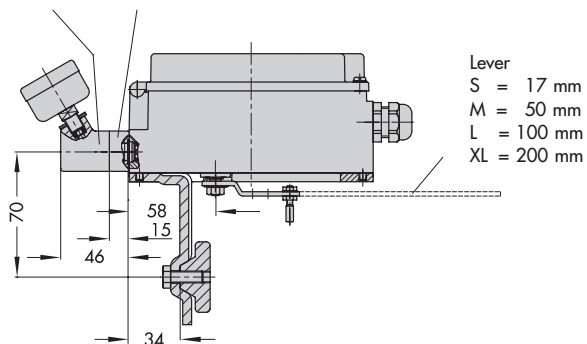
Direct attachment



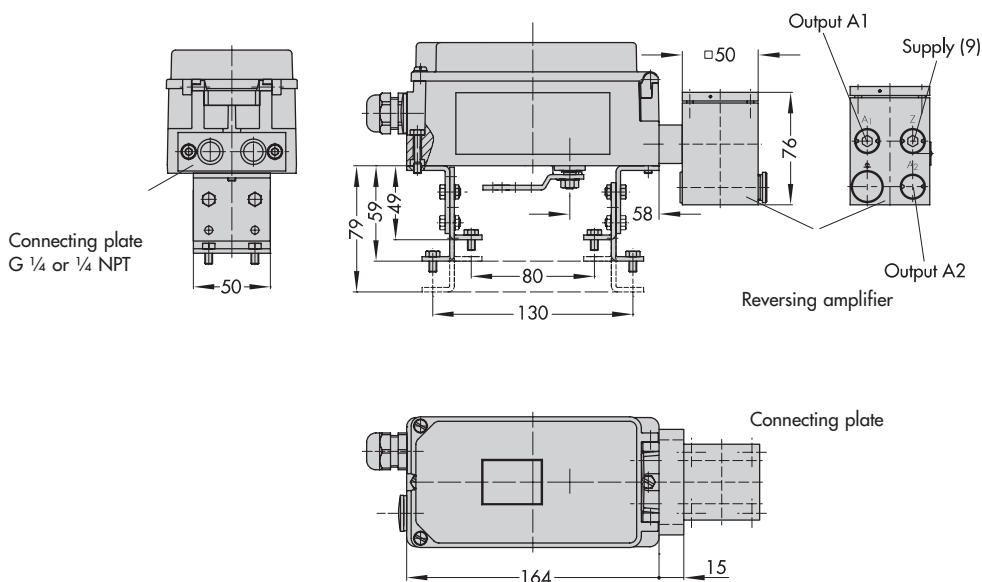
Attachment acc. to IEC 60534 and NAMUR

Pressure gauge bracket
G 1/4 or 1/4 NPT

or connecting plate



Attachment to rotary actuators



Article code

Positioner	Typ 3730-4	x	x	x	0	x	0	x	x	0	x	0	0	x	0	0	0	
With LCD and autotune, PROFIBUS-PA																		
Explosion protection																		
Without		0																
⊕ II 2 G EEx ia IIC T6 and ⊕ II 2 D IP 65 T 80 °C acc. to ATEX		1																
CSA/FM intrinsically safe/non incendive		3																
⊕ II 3 G EEx nA II T6 acc. to ATEX		8																
Additional equipment																		
Inductive limit switch																		
Without		0																
1 x Type SJ2-SN		1																
Solenoid valve																		
Without		0																
With, 24 V DC		4																
External position sensor																		
Without					0													
With					1													
Binary input																		
Without								0										
Floating contact								1										
Diagnostics																		
EXPERT (standard)									1									
EXPERT+ (extended diagnostics)									2									
Housing material																		
Aluminum (standard)												0						
Stainless steel 1.4581												1						
Special application																		
Without																	0	
Device free of any substances that might impair paint adhesion																		1
Exhaust air connection with 1/4-18 NPT thread																		2
Special version																		
None																		0 0 0

Ordering text

Type 3730-4 PROFIBUS-PA Positioner

- SAMSON direct attachment
- Attachment according to IEC 60534-6-1 (NAMUR)
- Attachment to rotary actuators

- Without/with pressure gauge for signal pressure indication

- Explosion protection
- Limit switch
- Solenoid valve
- Binary input for floating contact
- Extended EXPERT+ diagnostics

Specifications subject to change without notice.



SAMSON AG · MESS- UND REGELTECHNIK
 Weismüllerstraße 3 · 60314 Frankfurt am Main · Germany
 Phone: +49 69 4009-0 · Fax: +49 69 4009-1507
 Internet: <http://www.samson.de>

T 8384-4 EN

2006-04