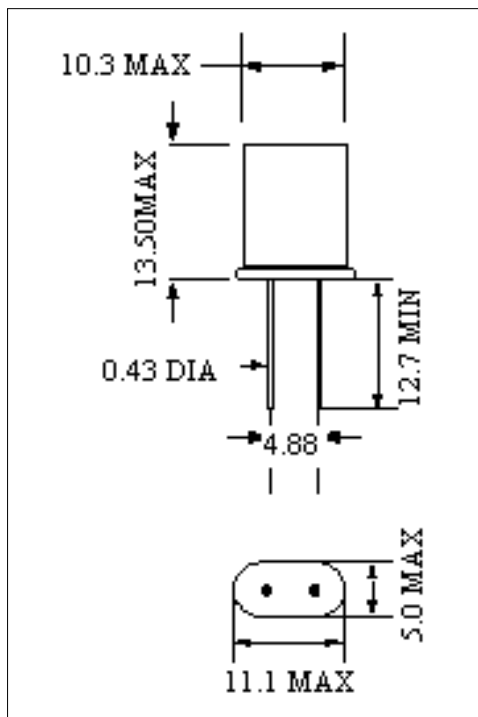




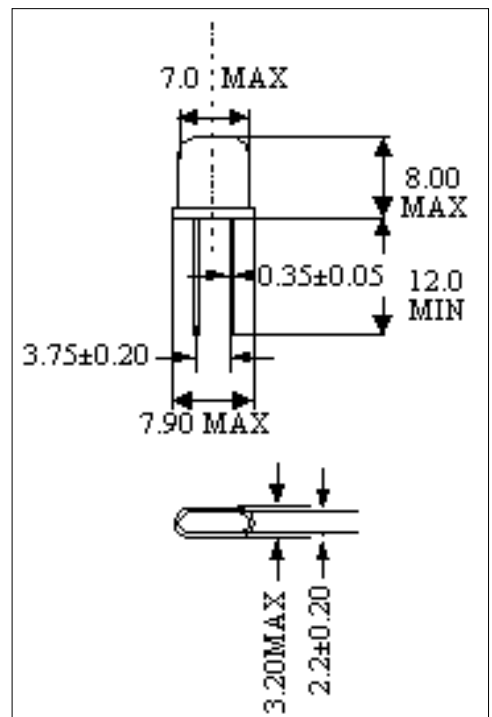
AT CUT Through-Hole Crystals

MODEL	X9	XU1
FREQUENCY RANGE (MHZ)	1.80-30.00	10.00-50.00
FUNDAMENTAL OVERTONE	28.00-180.00	35.00-160.00
AGING	± 3 PPM Max. first year	
SHUNT CAPACITANCE	7 pF Max.	
DRIVE LEVEL	0.1 mW Max.	
LOAD CAPACITANCE	Series or 12 to 32 pF Parallel	
OPERATING TEMP' RANGE	-10 to +70°C or -40 to +85°C	
STORAGE TEMPERATURE	-55 to +125°C	
TOLERANCE AT +25° C	± 10 PPM to ± 100 PPM Standard: ± 50 PPM	
STABILITY OVER TEMP' RANGE	± 10 PPM to ± 100 PPM Standard: ± 50 PPM	
EQUIVALENT SERIES RESISTANCE	See ESR Table	
PACKAGE	HC49U	UM1

X9



XU1



Dimensions in mm.

[AT CUT Through-Hole Crystals](#) [to top](#)