

# Frequency Doublers & Quadruplers

## Passive and Active, 0.2-6000 MHz



### Passive Doublers

FREQUENCY RANGE		INPUT POWER NOMINAL (DBM)	CONVERSION LOSS @ F2 (DB) MAX.	CONVERSION LOSS @ F4 (DB) TYP.	SPURIOUS <sup>1</sup>		P/N
INPUT (MHZ)	OUTPUT (MHZ)				F1 (DBc)	F3 (DBc)	
0.2-500	0.4-1000	+10	11.0	20.0	20	25	FX-01-*
1-500	2-1000	+10	12.0	20.0	20	25	FX-02-*
50-1000	100-2000	+10	12.0	20.0	20	22	FX-03-*
75-1500	150-3000	+10	12.0	20.0	20	20	FX-04-*
50-2100	100-4200	+10	13.0	20.0	16	25	FX-05-*
300-3000	600-6000	+10	13.0	20.0	16	25	FX-06-*
1400-1600	5600-6400	+10	-	26.0	-	-	FX-08-*
3000-6000	6000-12000	+10	13.0	20.0	20	25	FX-07-**

Custom frequency bands and optimized specifications available.

**Notes:**

\* Available in Outline # 301, 410 & A

\*\* Available in Outline S & SC

1 With respect to F2.

SMA female connectors standard on outline # 410, also available with BNC, TNC, F, and N connectors.

### Active Doublers

FREQUENCY RANGE		INPUT POWER NOMINAL (DBM)	OUTPUT POWER (DBM)	CONTROL VOLTAGE I = 70MA TYP.	SPURIOUS <sup>1</sup>		P/N
INPUT (MHZ)	OUTPUT (MHZ)				F1 (DBc)	F3 (DBc)	
100-2500	200-5000	+10	+10 ± 2	+12 Vdc	18	25	FXG-01-410F
100-2500	200-5000	0	0 ± 2	+12 Vdc	18	25	FXG-02-410F

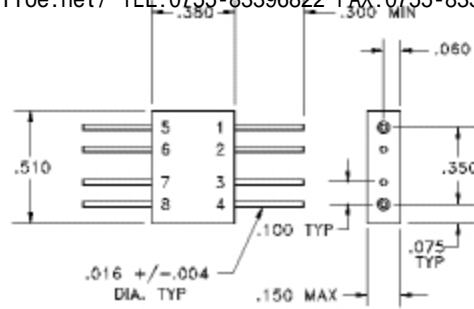
Custom frequency bands and optimized specifications available.

**Notes:**

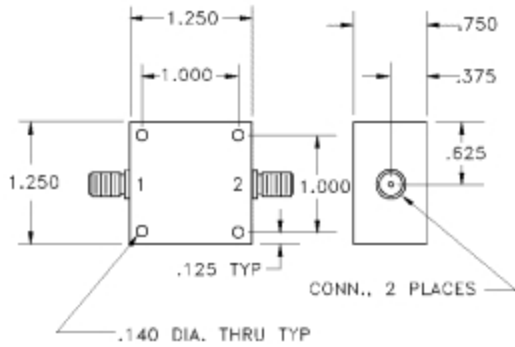
1 With respect to F2.

SMA female connectors standard on outline # 410F.

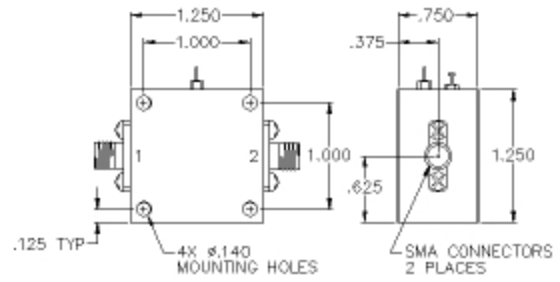
PORT CONFIGURATION				
OUTLINE	INPUT	OUTPUT	GROUND	DC PINS
301	1	8	2-7	--
410	1	2	Housing	--
410F	1	2	Housing	12 Vdc @ 70mA
A	1	3	4 Corners	--
S	1	2	--	--
SC	SUNSTAR微波通信 <a href="http://www.rfoe.net/">http://www.rfoe.net/</a> TEL:0755-83397033 FAX:0755-83376182 E-MAIL: szss20@163.com			



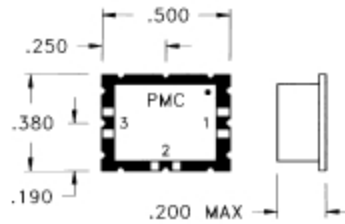
**Outline 301**



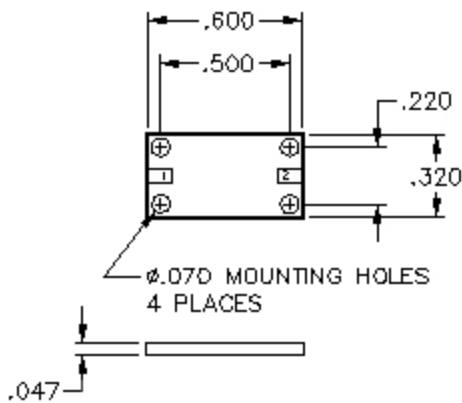
**Outline 410**



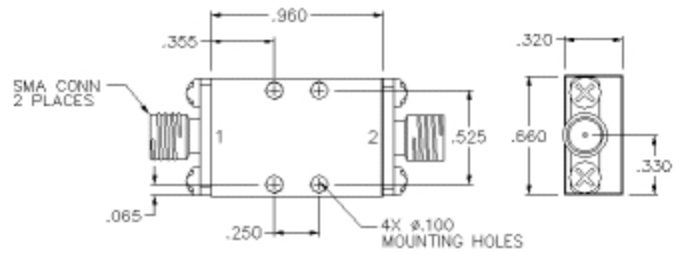
**Outline 410F**



**Outline A**



**Outline S  
(Doubler Only)**



**Outline SC  
(Doubler Only)**



60/40 Solder Available

SUNSTAR射频通信 <http://www.rfoe.net/> TEL:0755-83397033 FAX:0755-83376182 E-MAIL: szss20@163.com

ISO 9001:2000 Certified

**TE** Tect Electronics  
The Authoritative Supplier in the Greater China Region